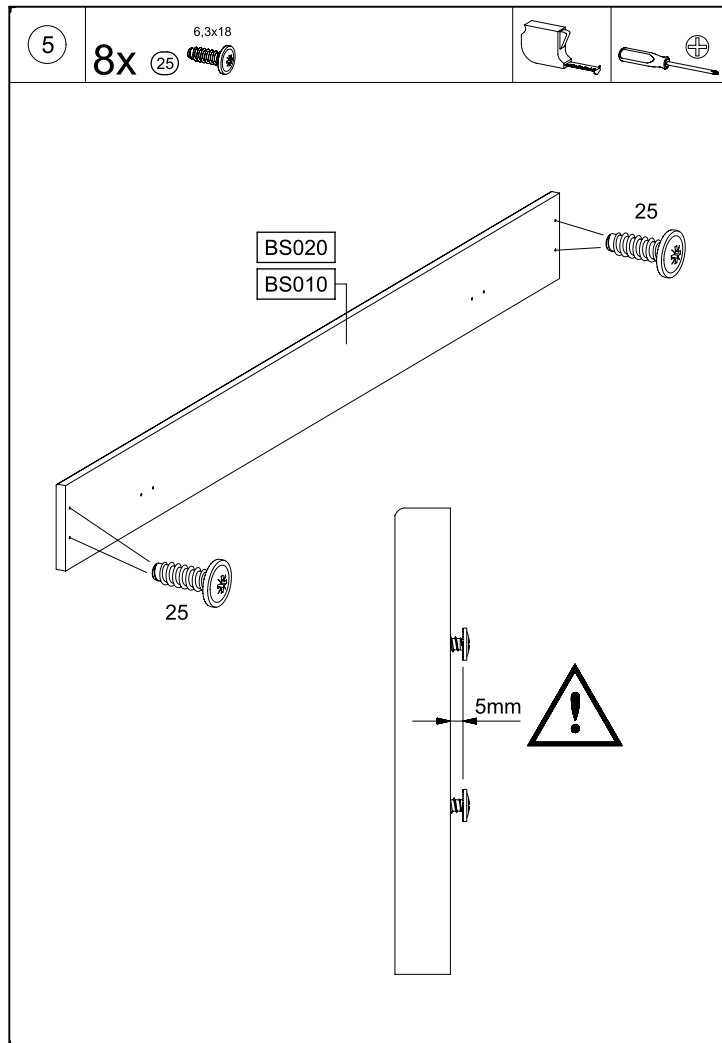
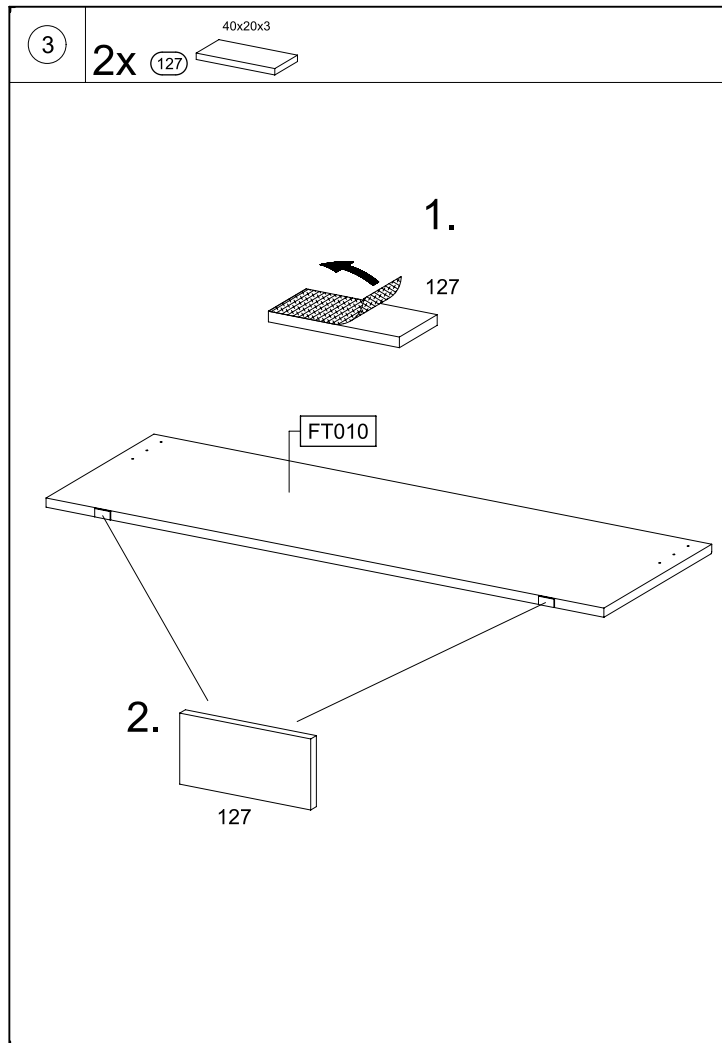
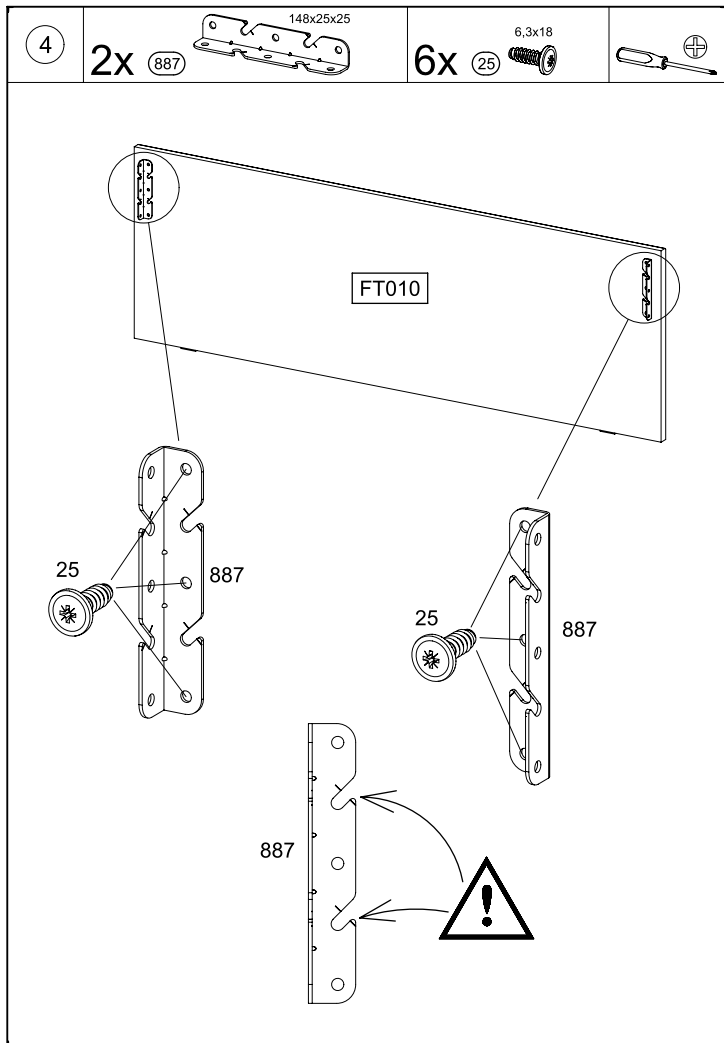
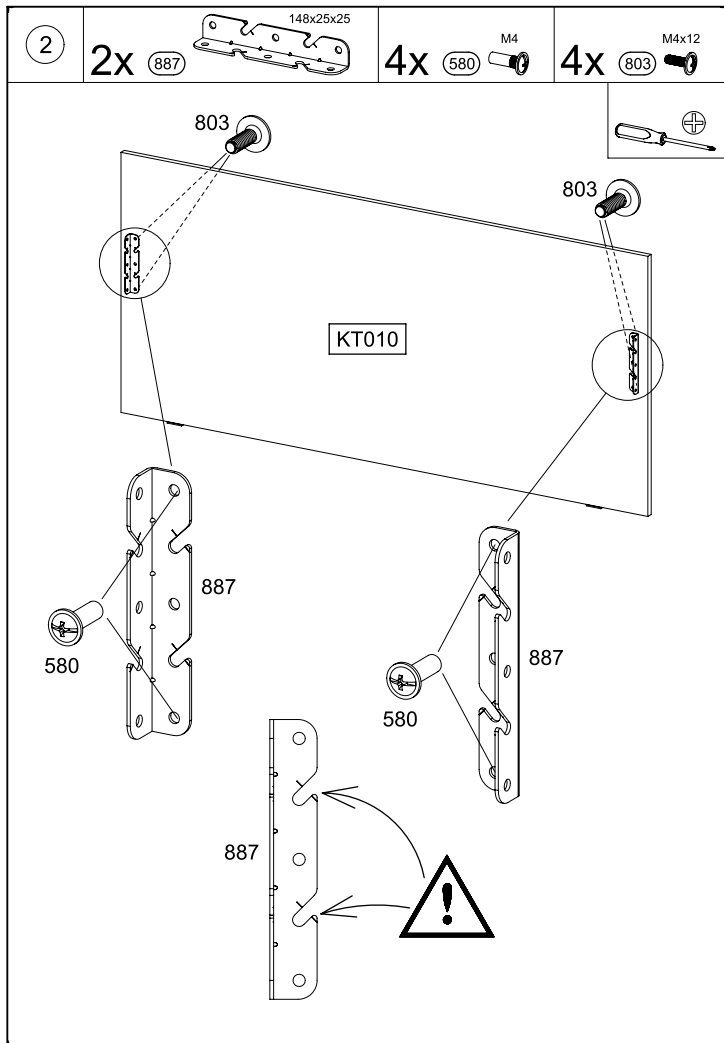


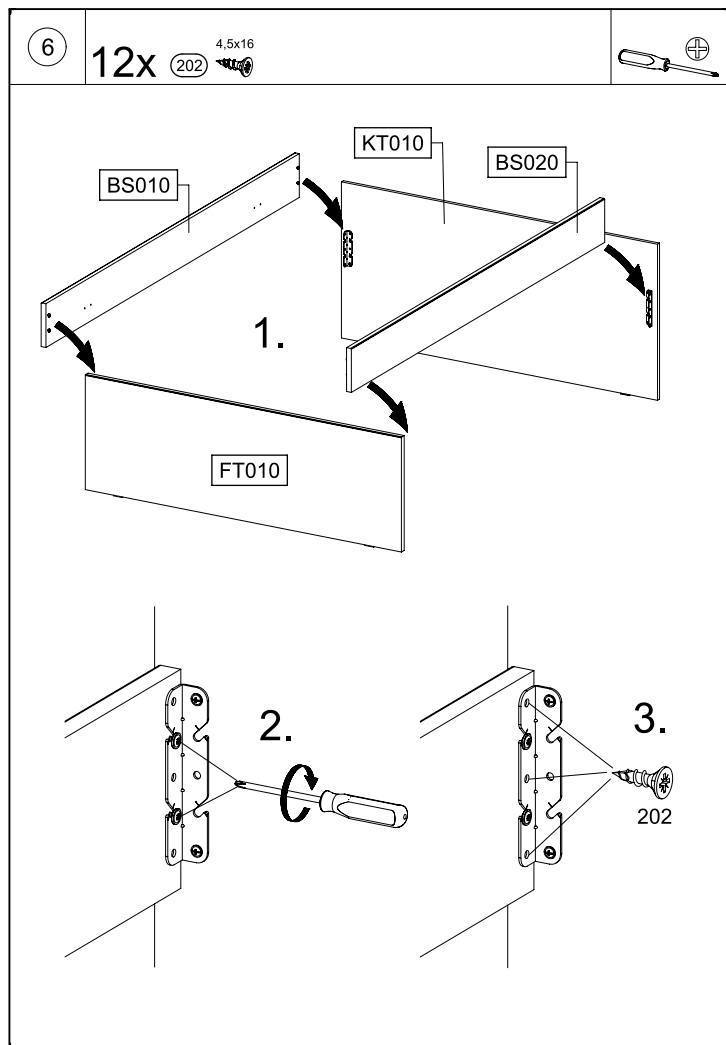
M2924_01 rauch

2-3h

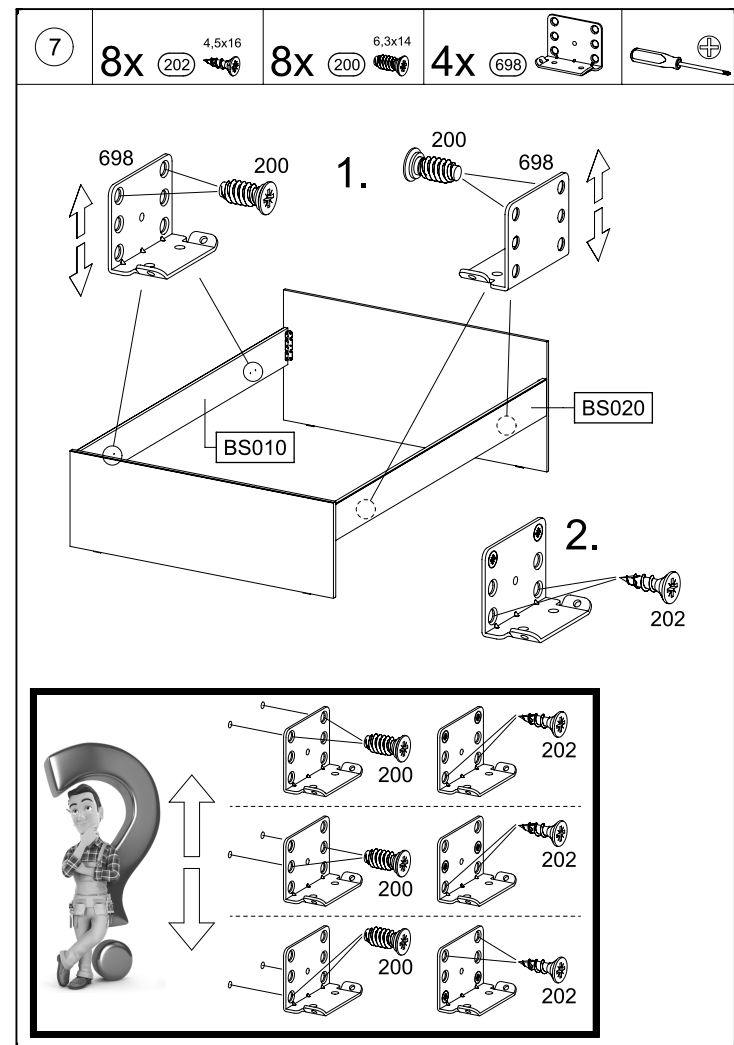
14x 6,3x18 25	28x 4,5x16 202	8x 6,3x14 200
4x M4 580	4x M4x12 803	4x 40x20x3 127
4x 148x25x25 887	4x 698	
16x 6,3x14 1173	6x 4x20 427	2x 1120
2x 1118	2x 1119	
4x 64x20x4 855		

1. 2x 127 40x20x3

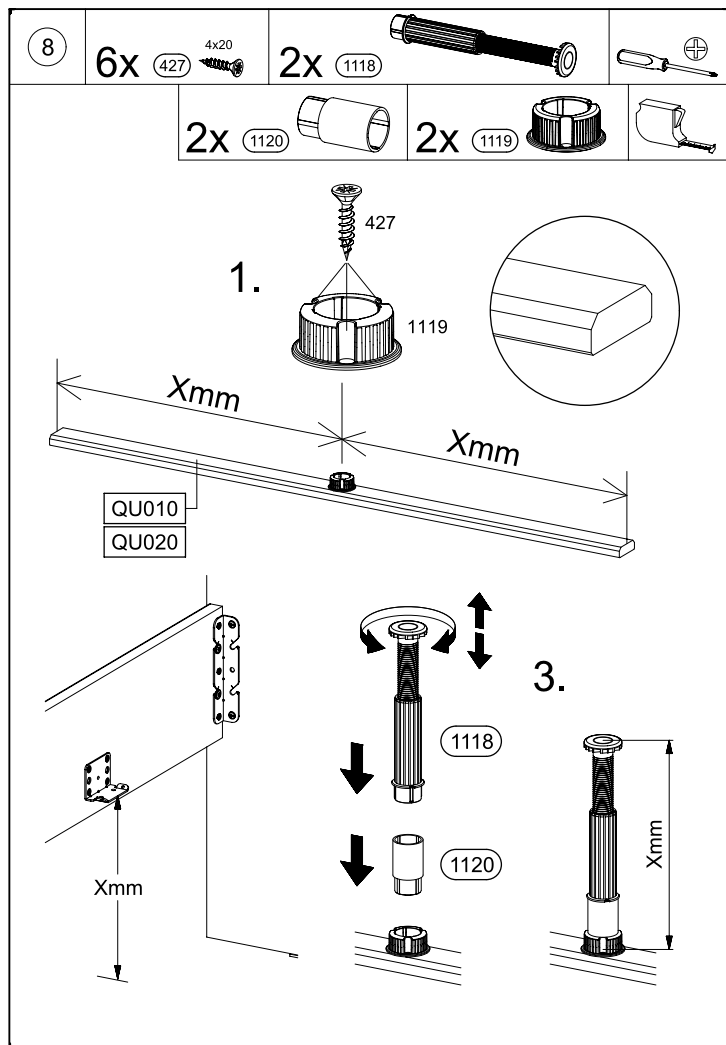




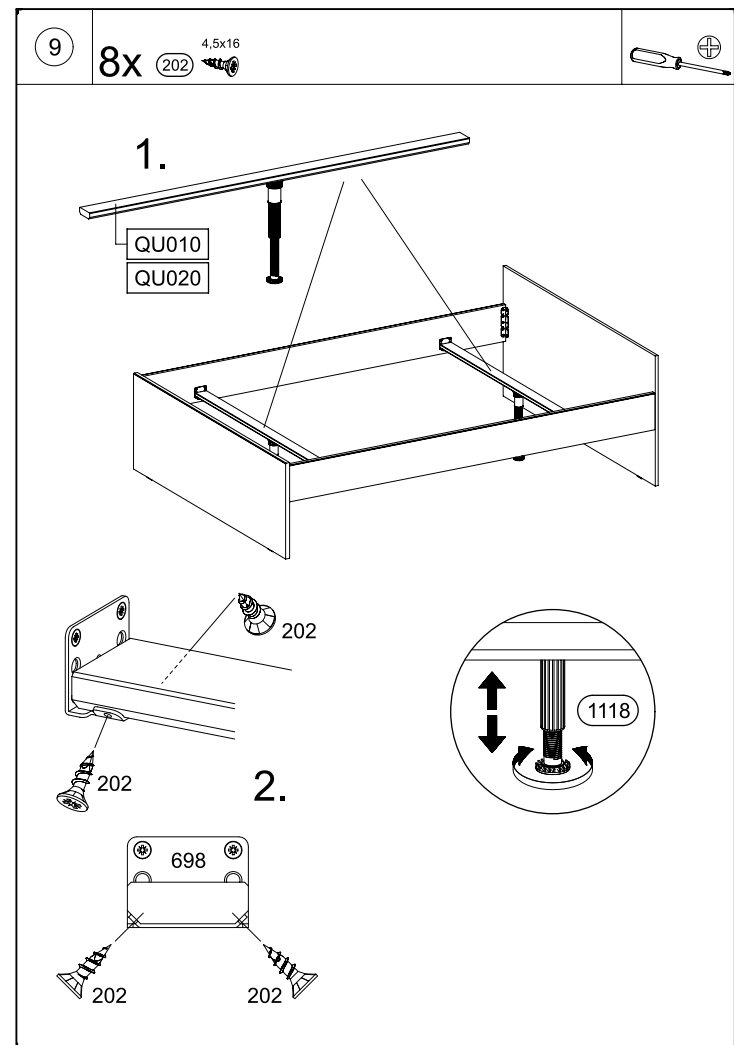
M2924 11.



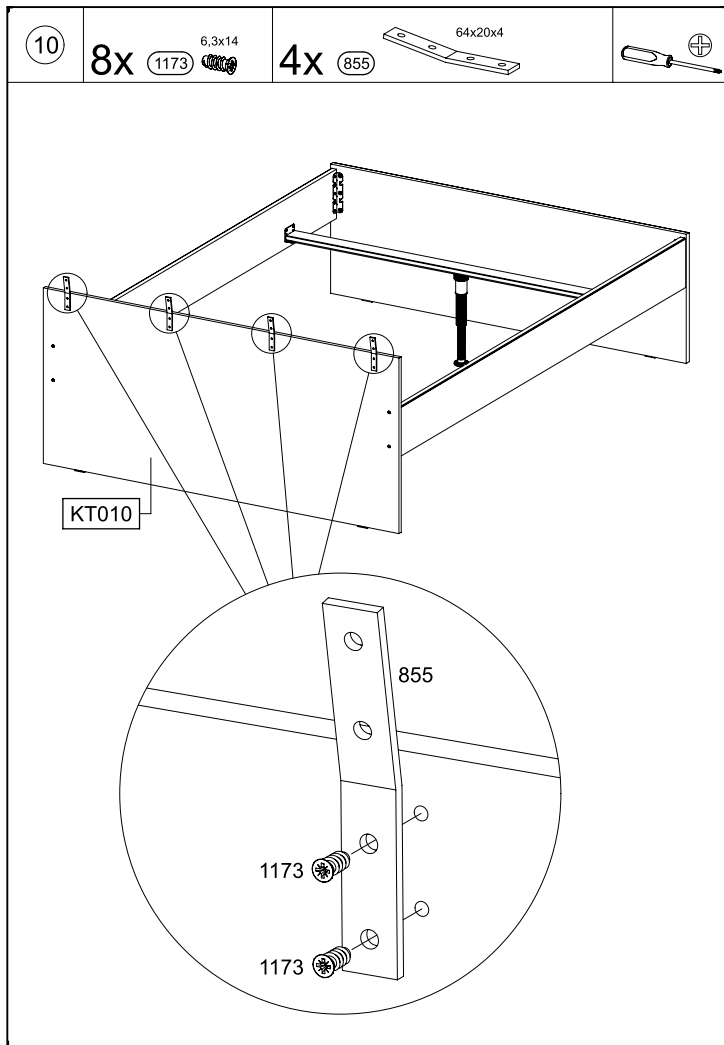
M2924 12.



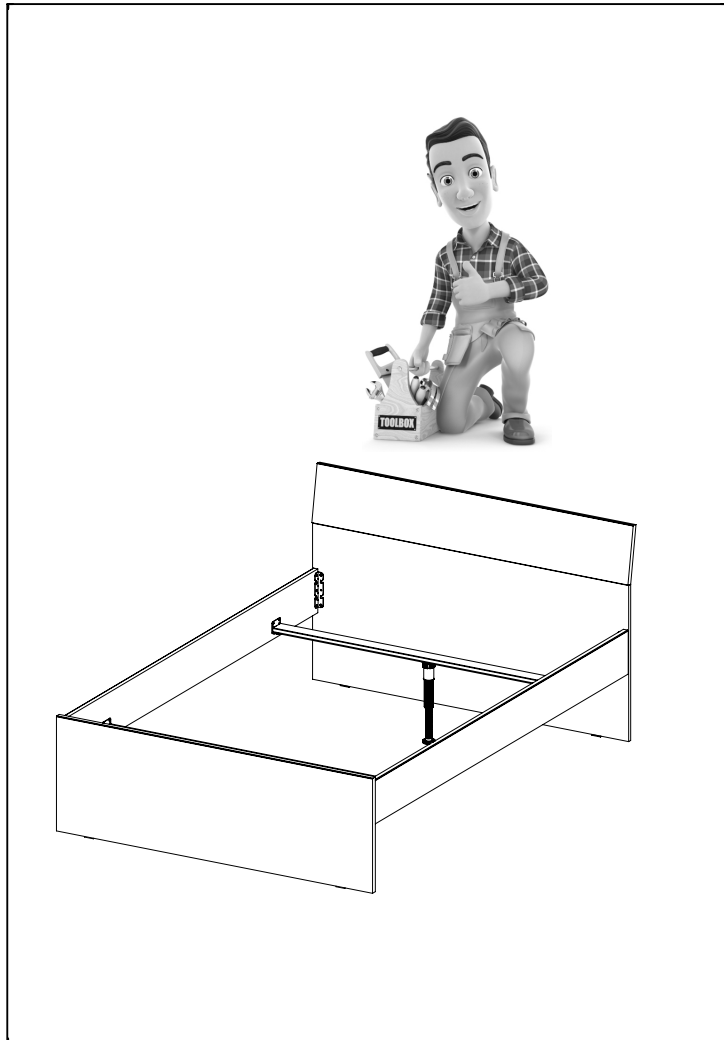
M2924



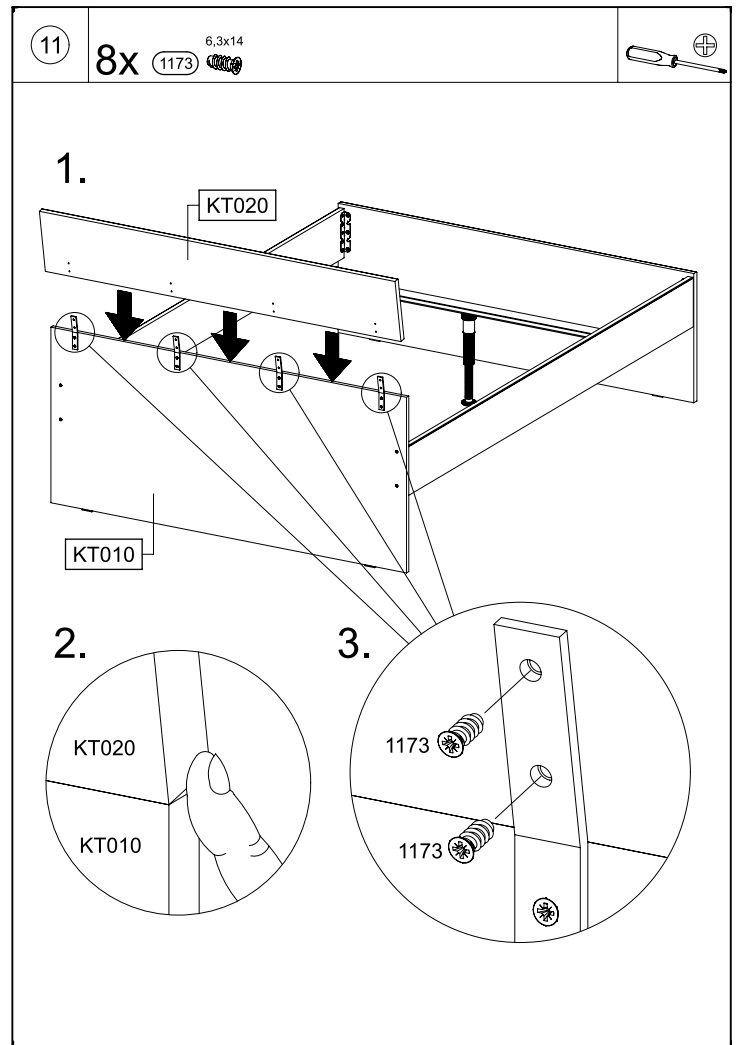
M2924



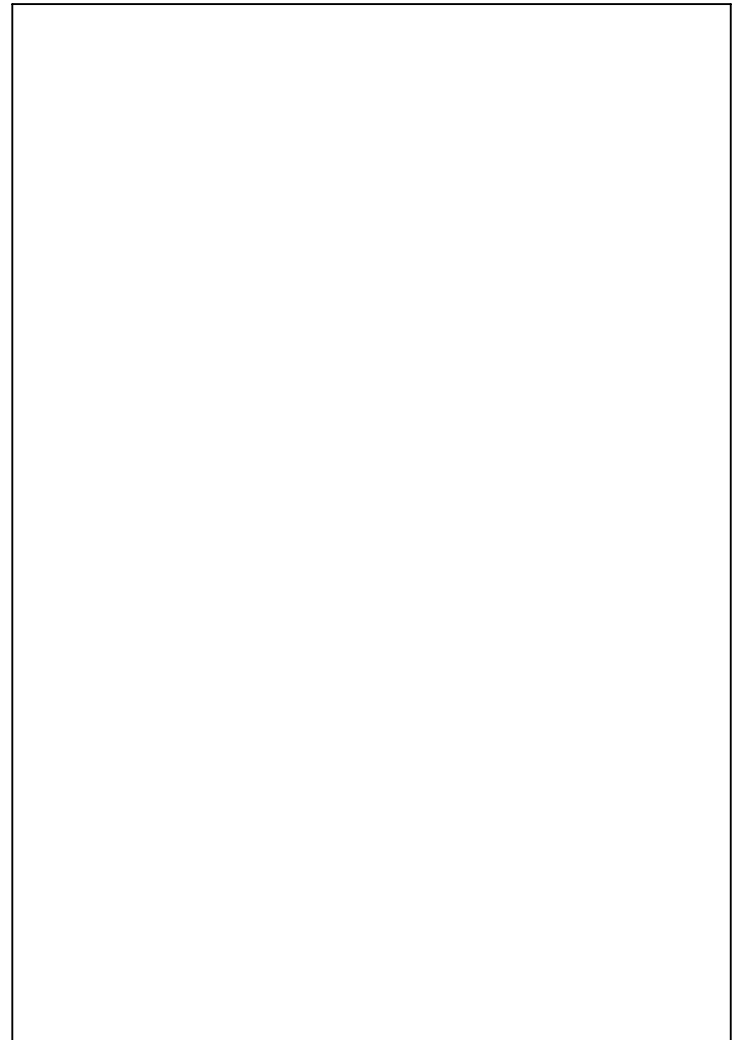
M2924



M2924



M2924

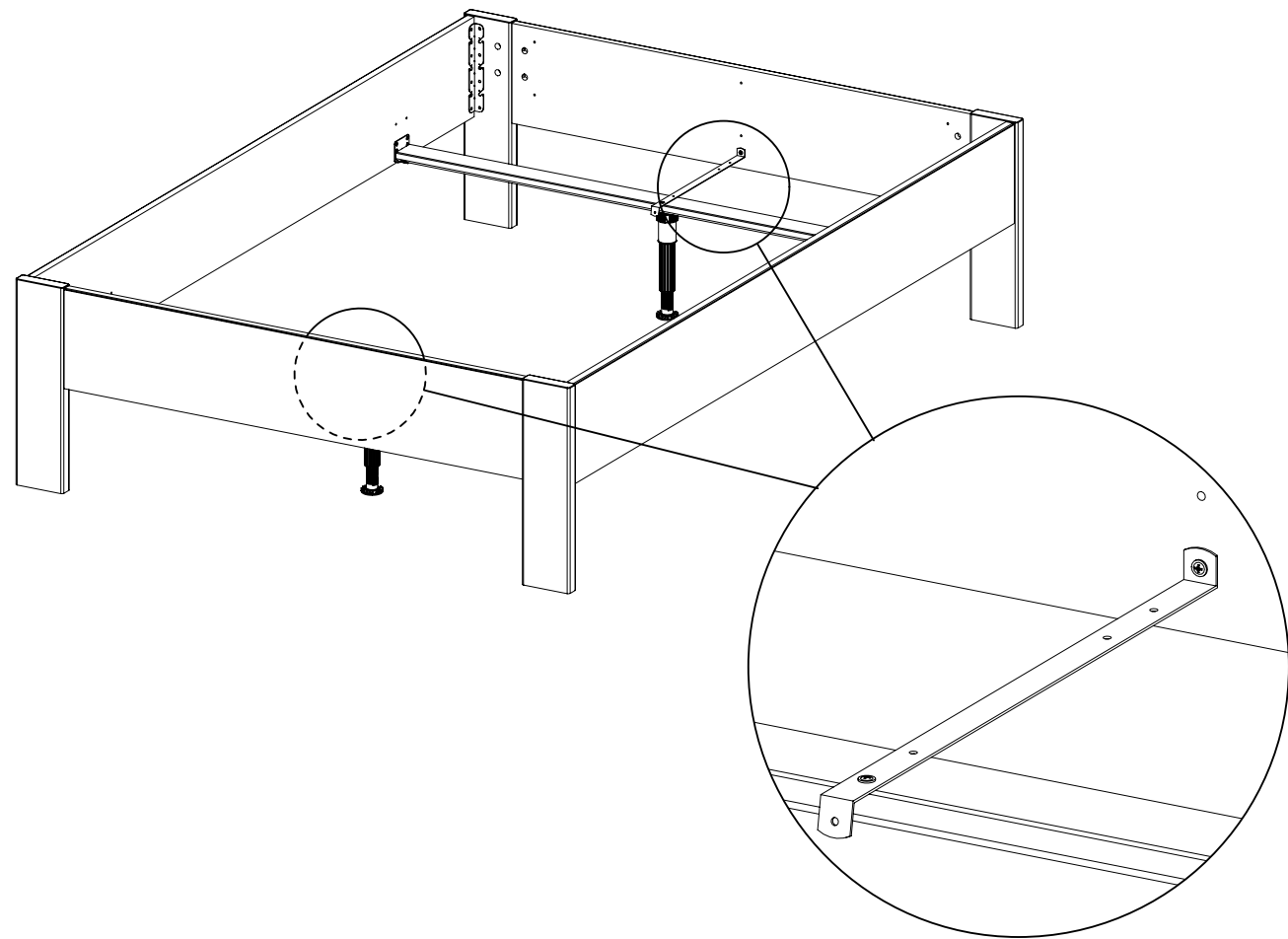
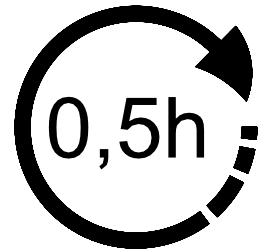
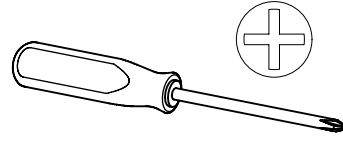
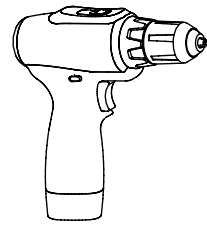


M2924

1.

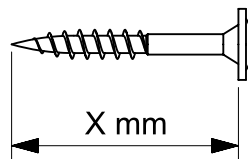
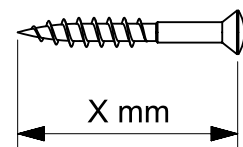
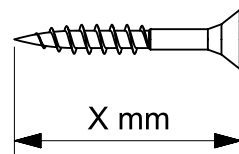
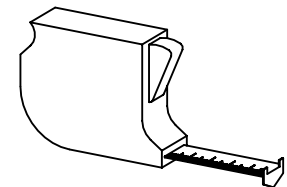
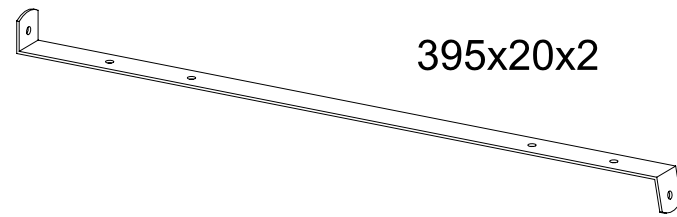
MZ254_01

rauch



4x 244 4x17

2x 896



MZ254

2.

1

4x

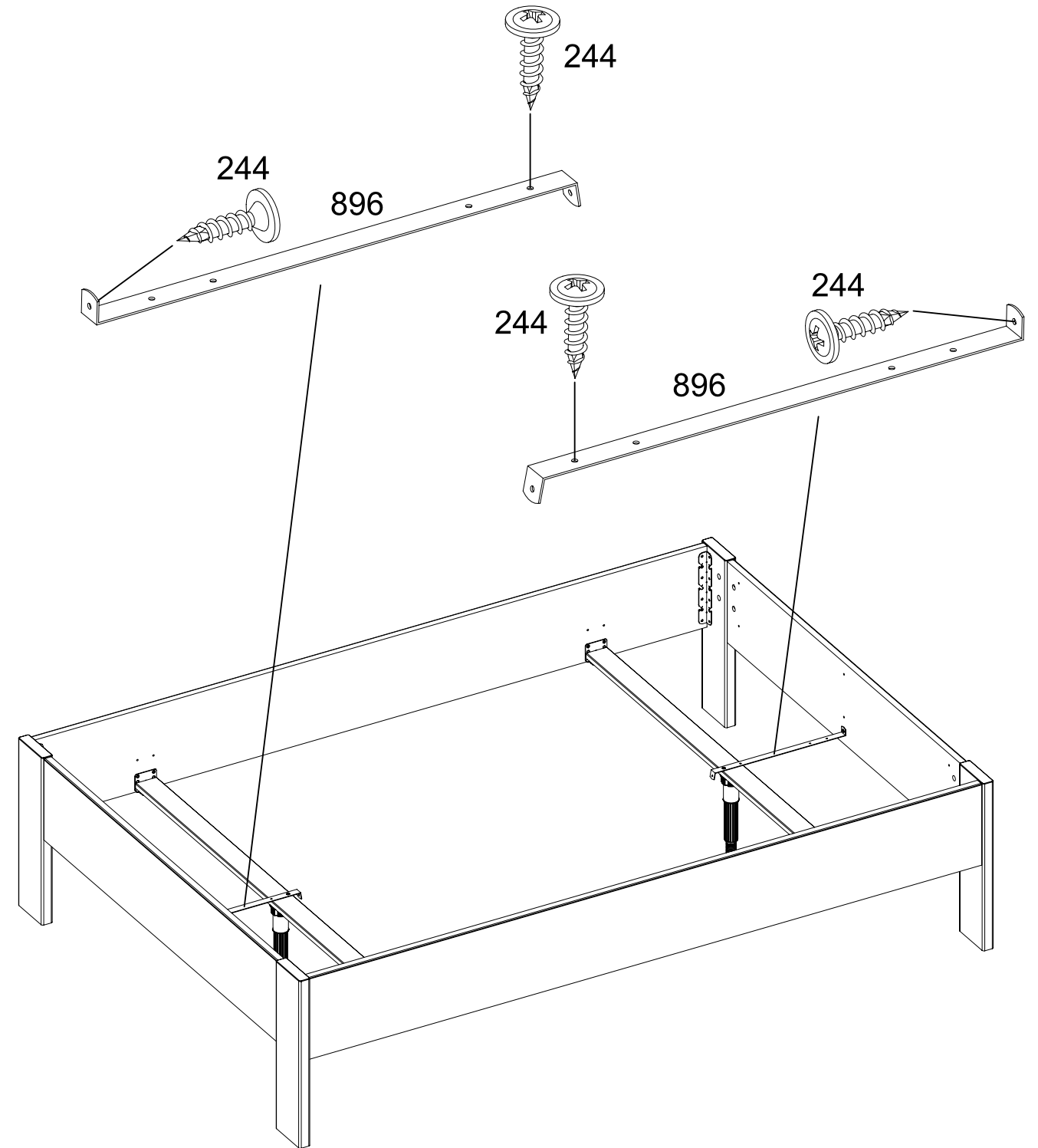
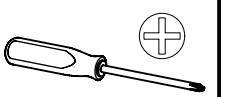
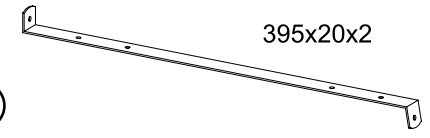
244

4x17



2x

896

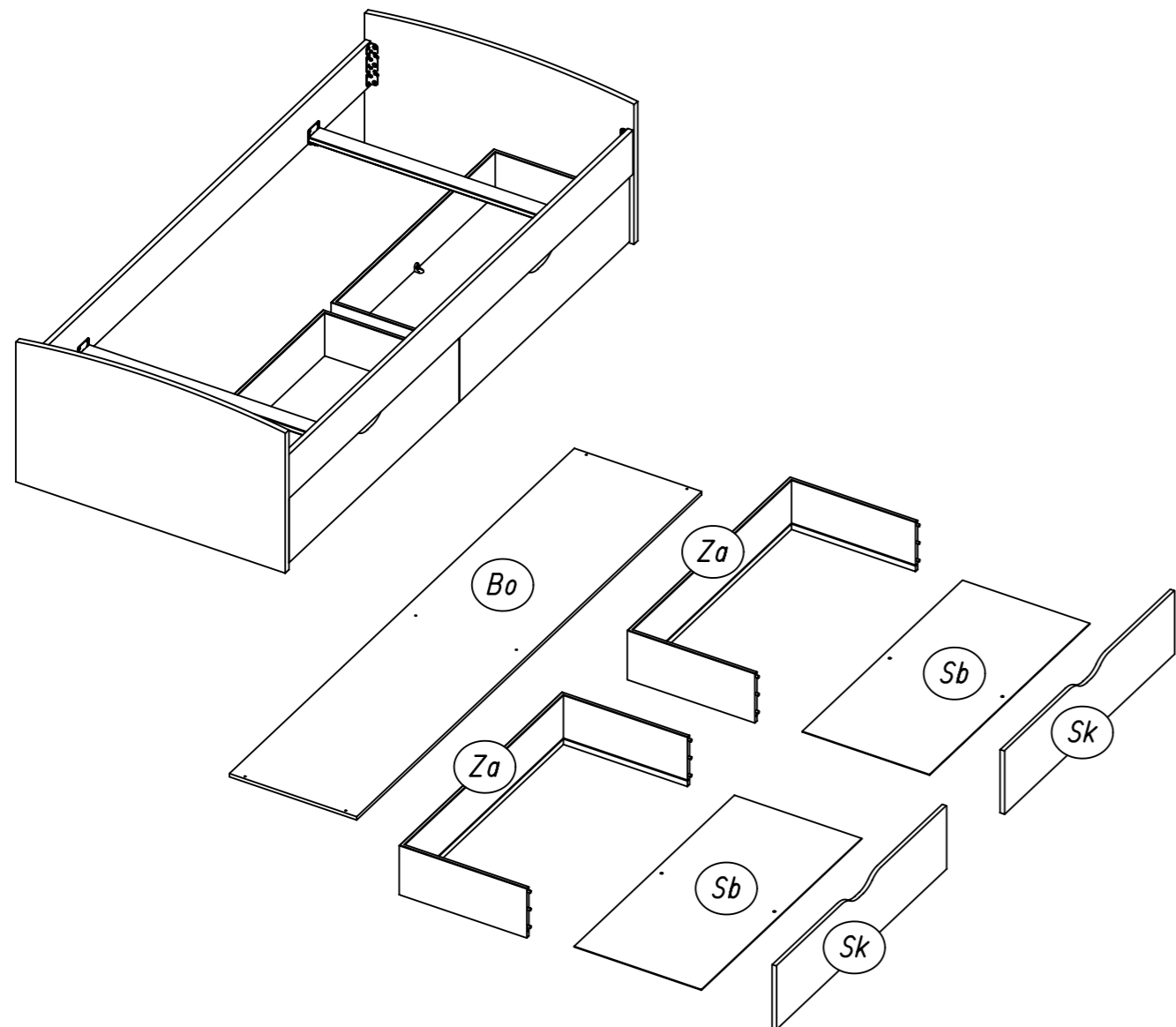
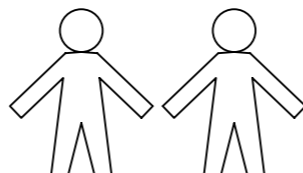
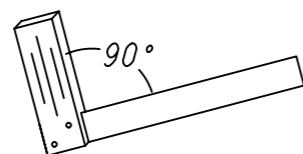
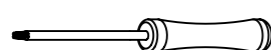
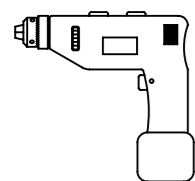
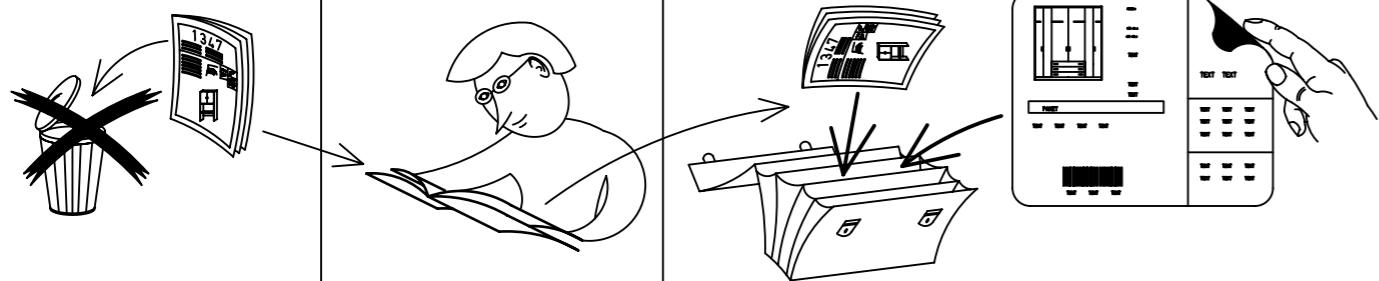


MZ254

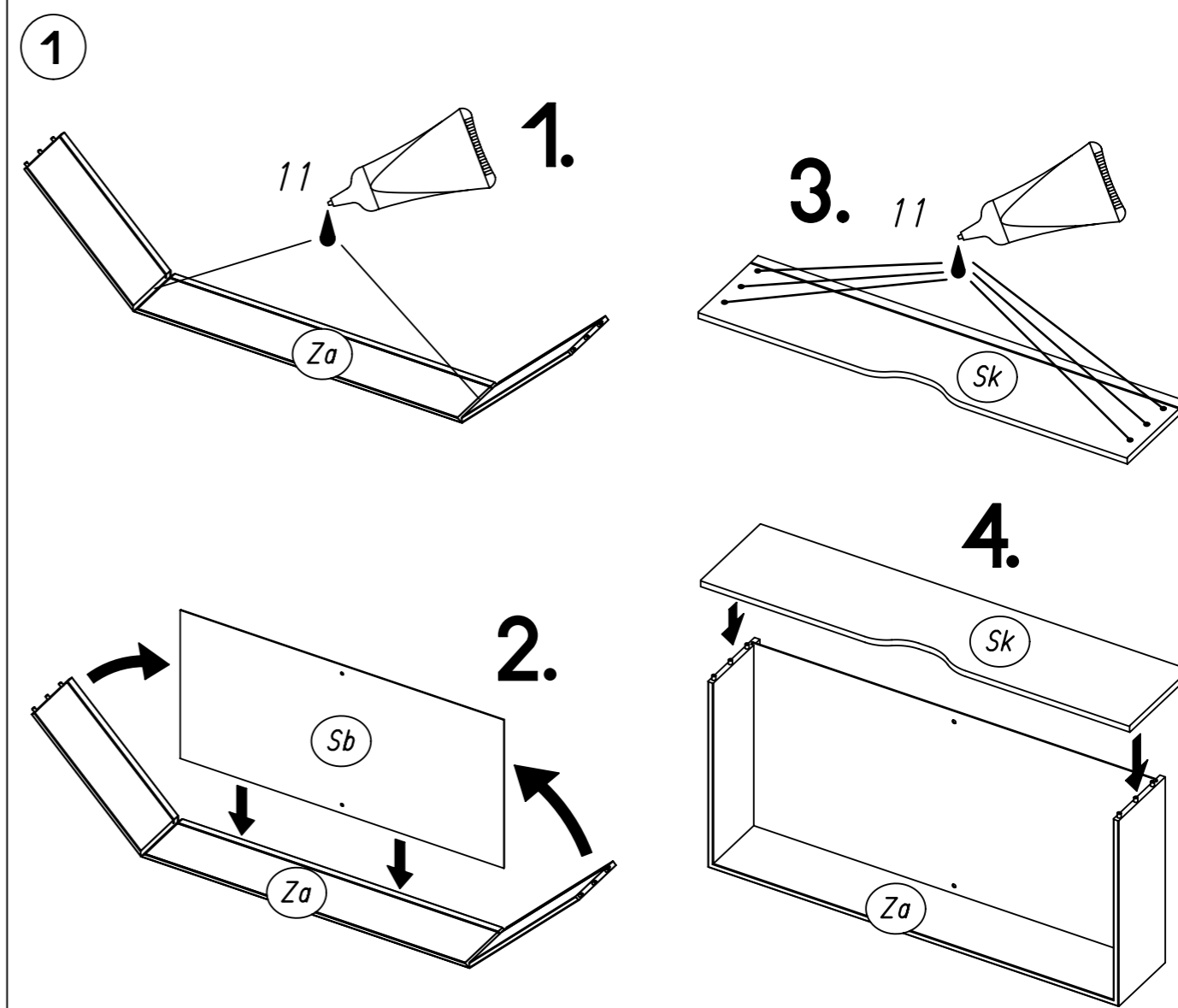
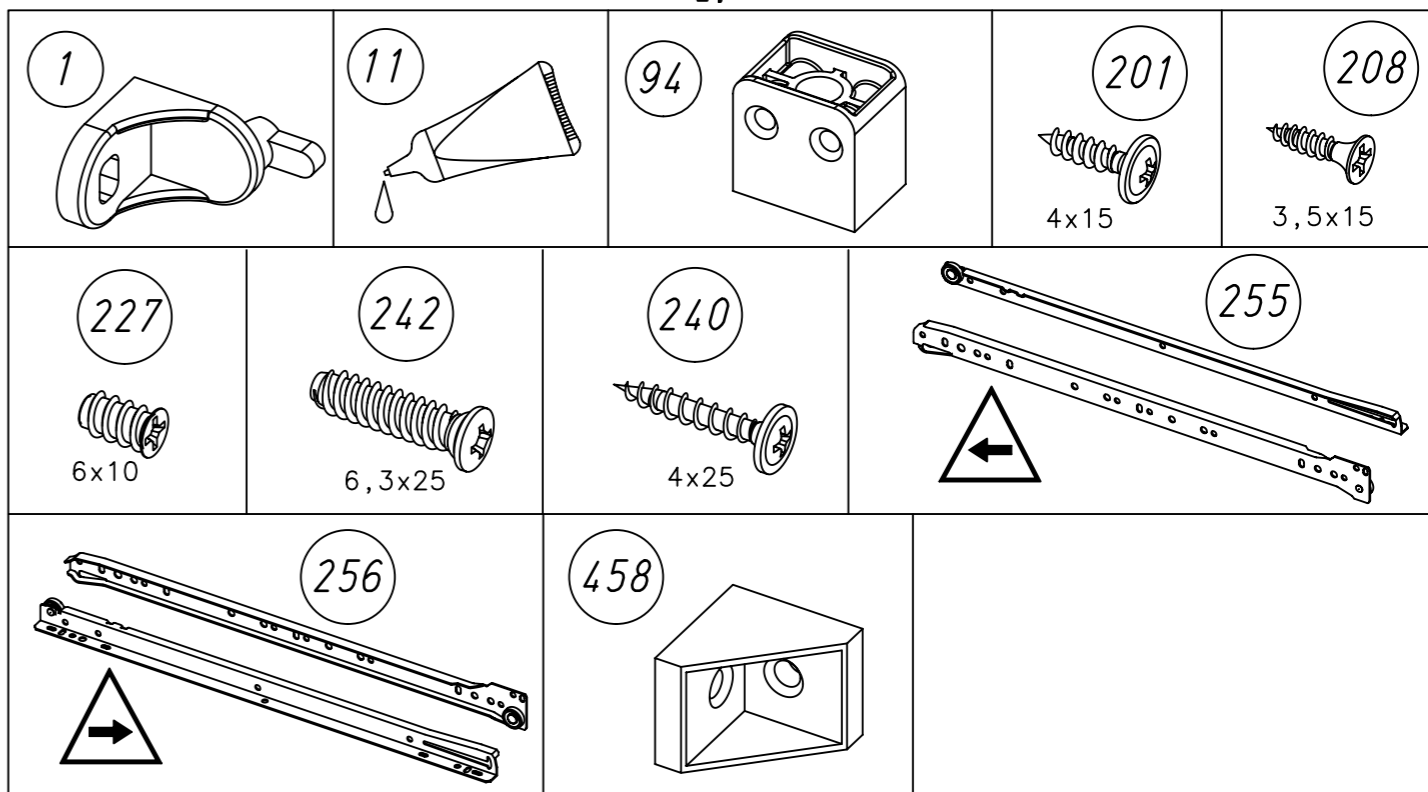
1.

M1728_02

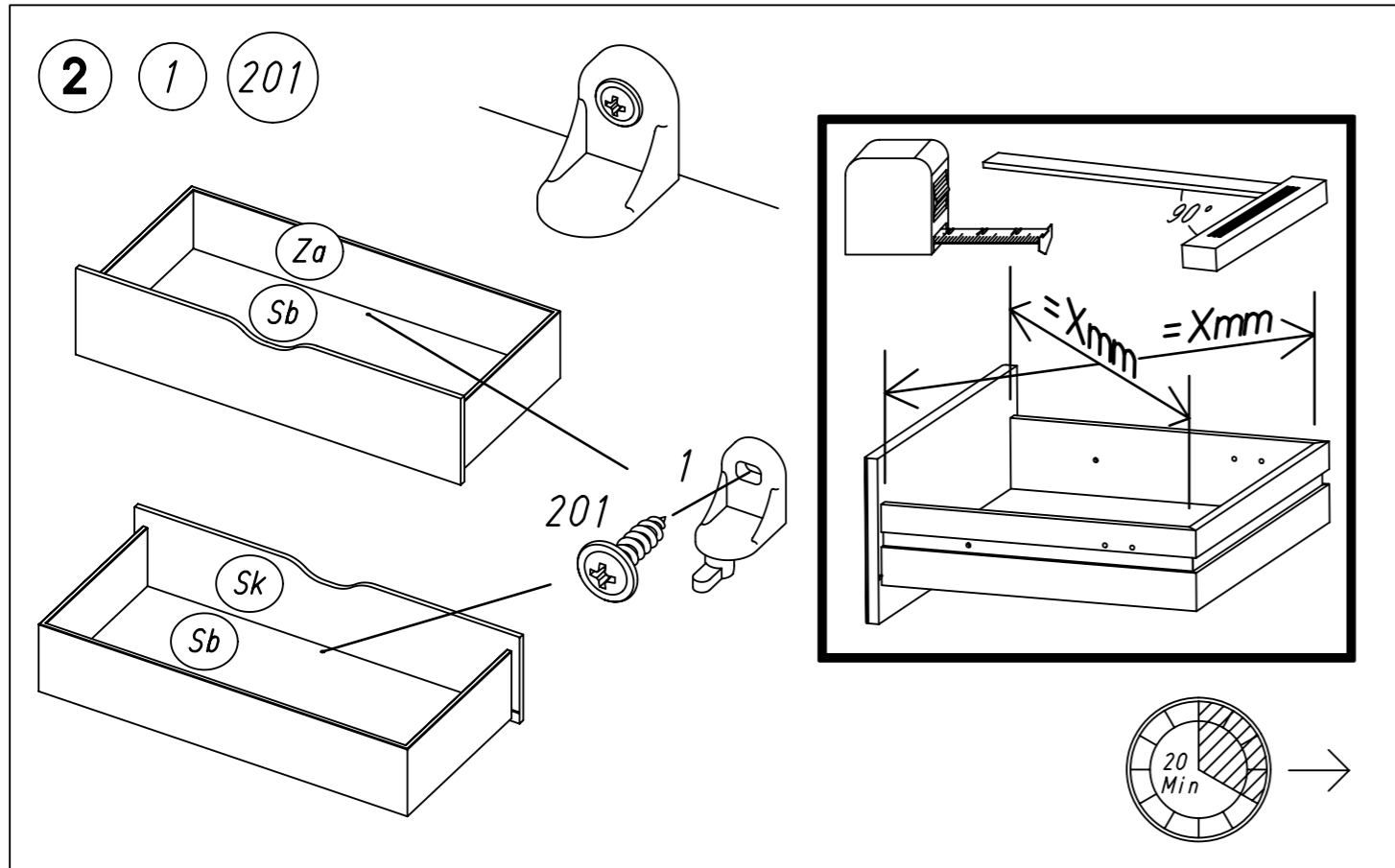
rauch



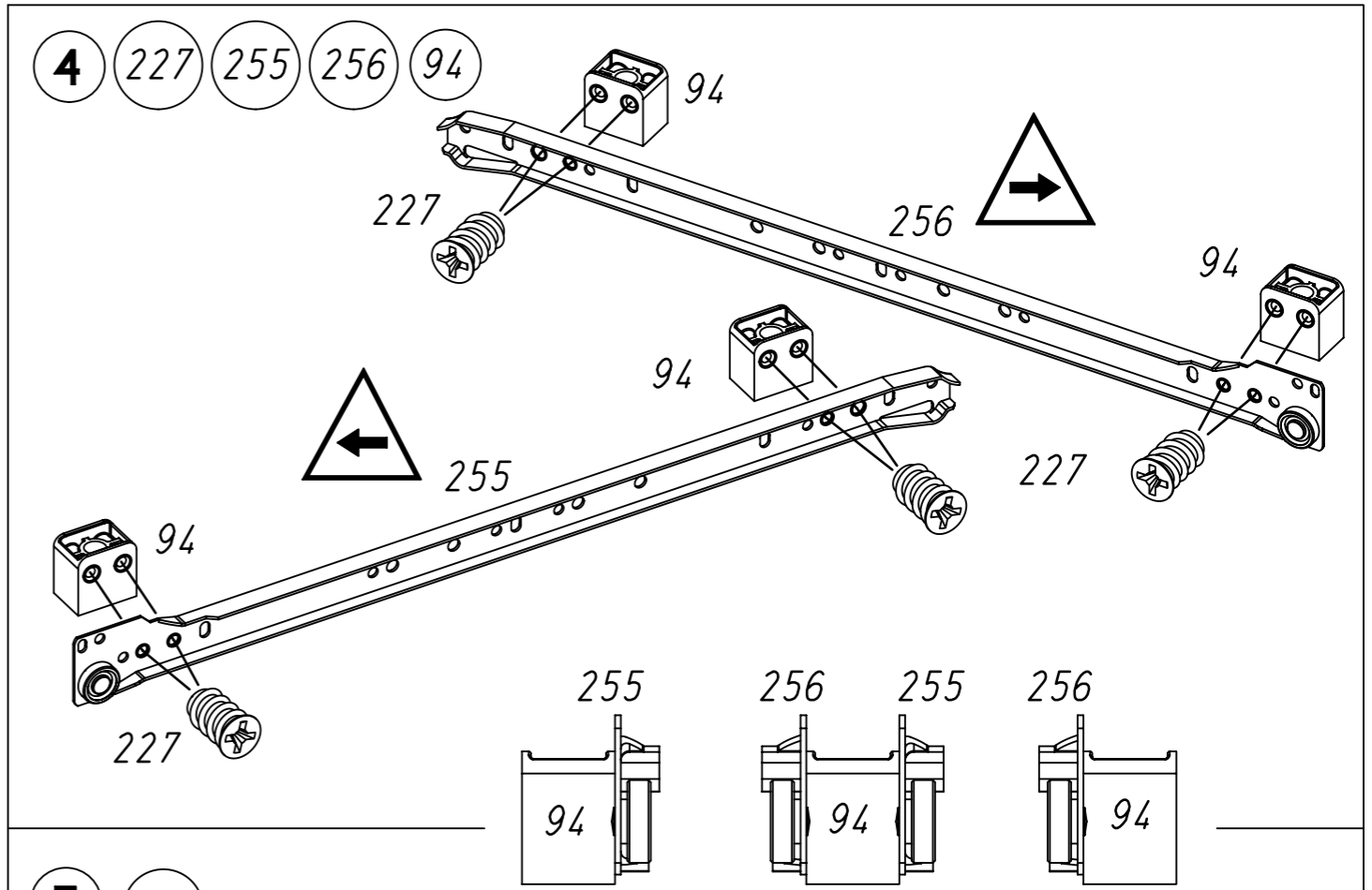
2.



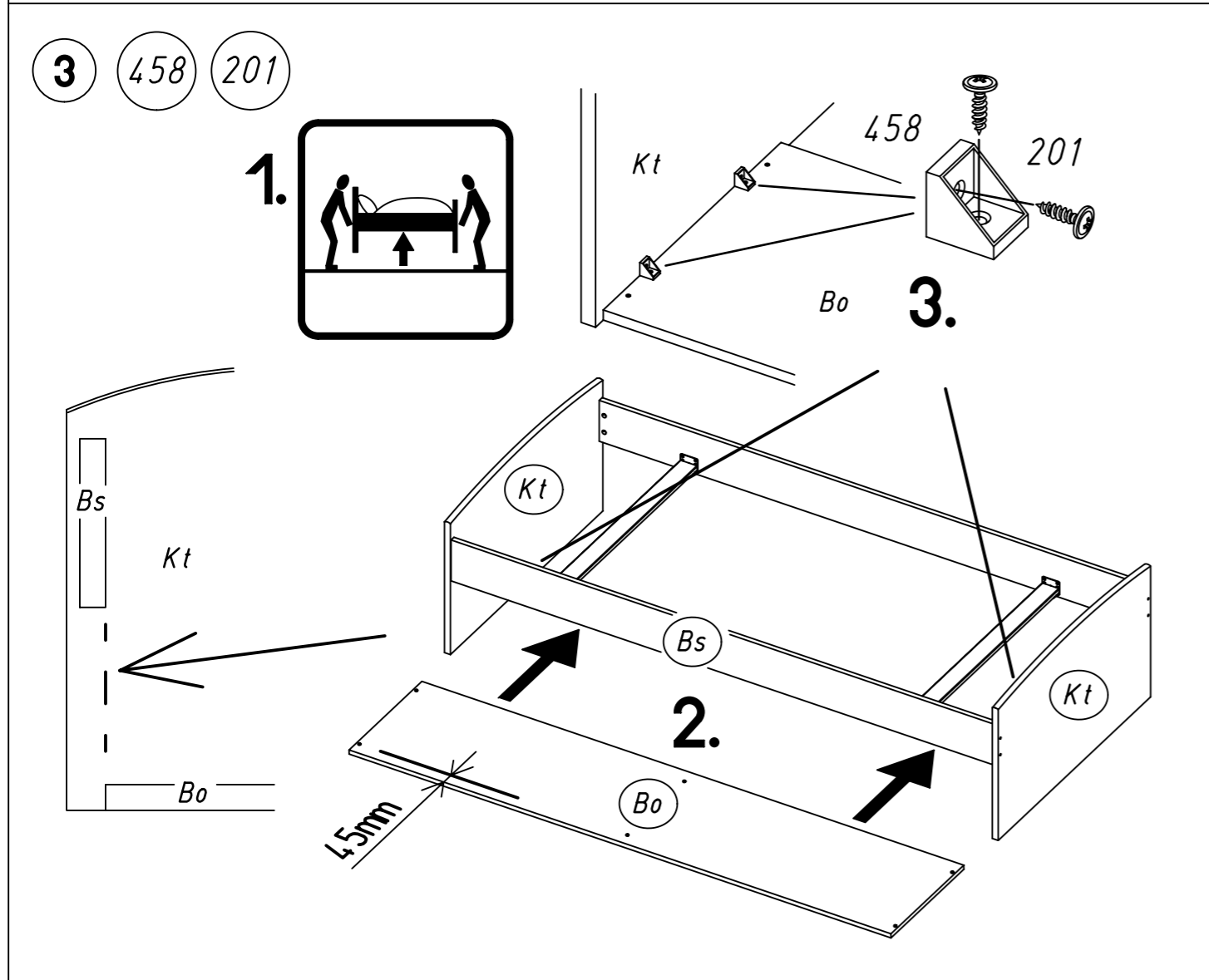
3.



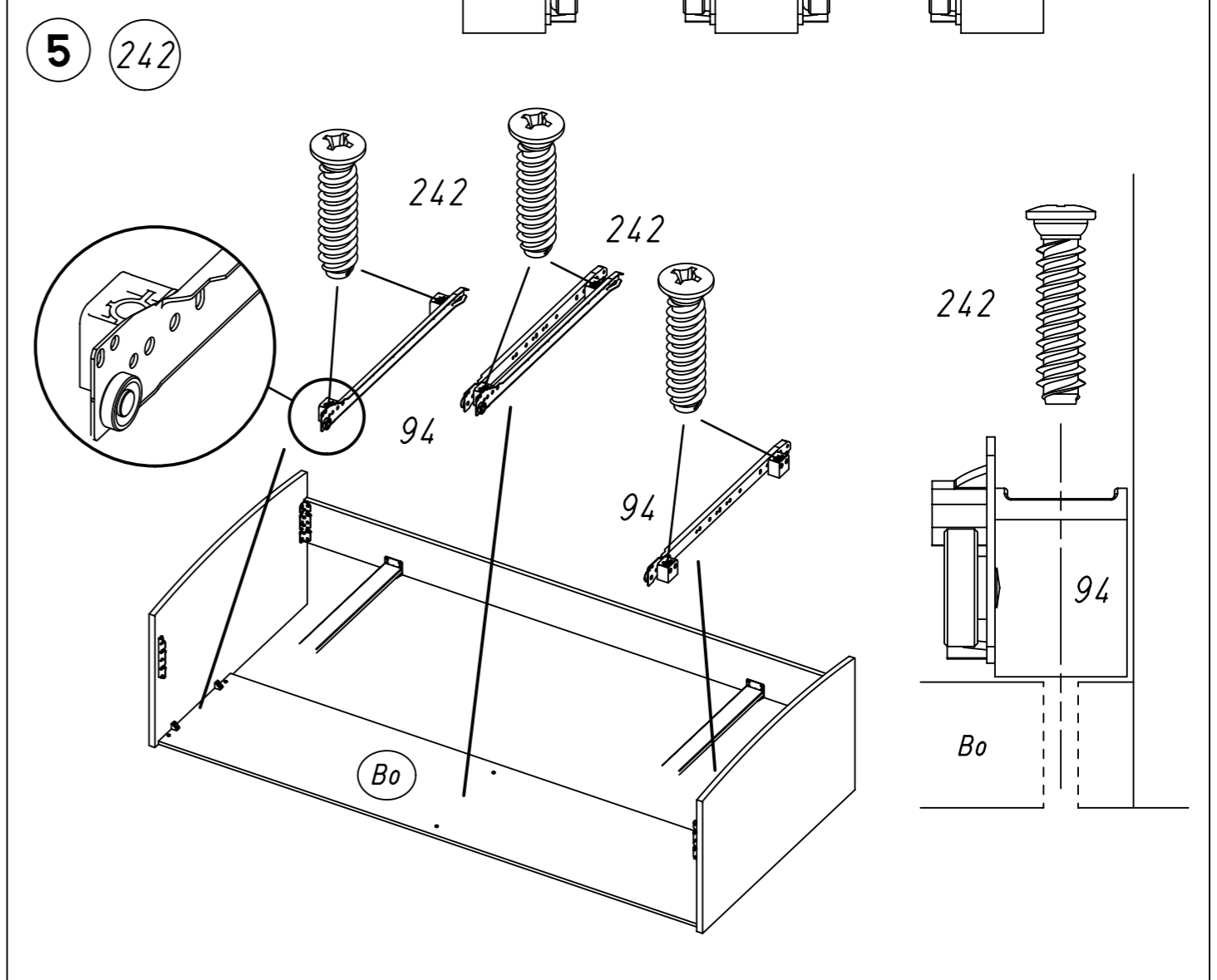
4.



3 458 201

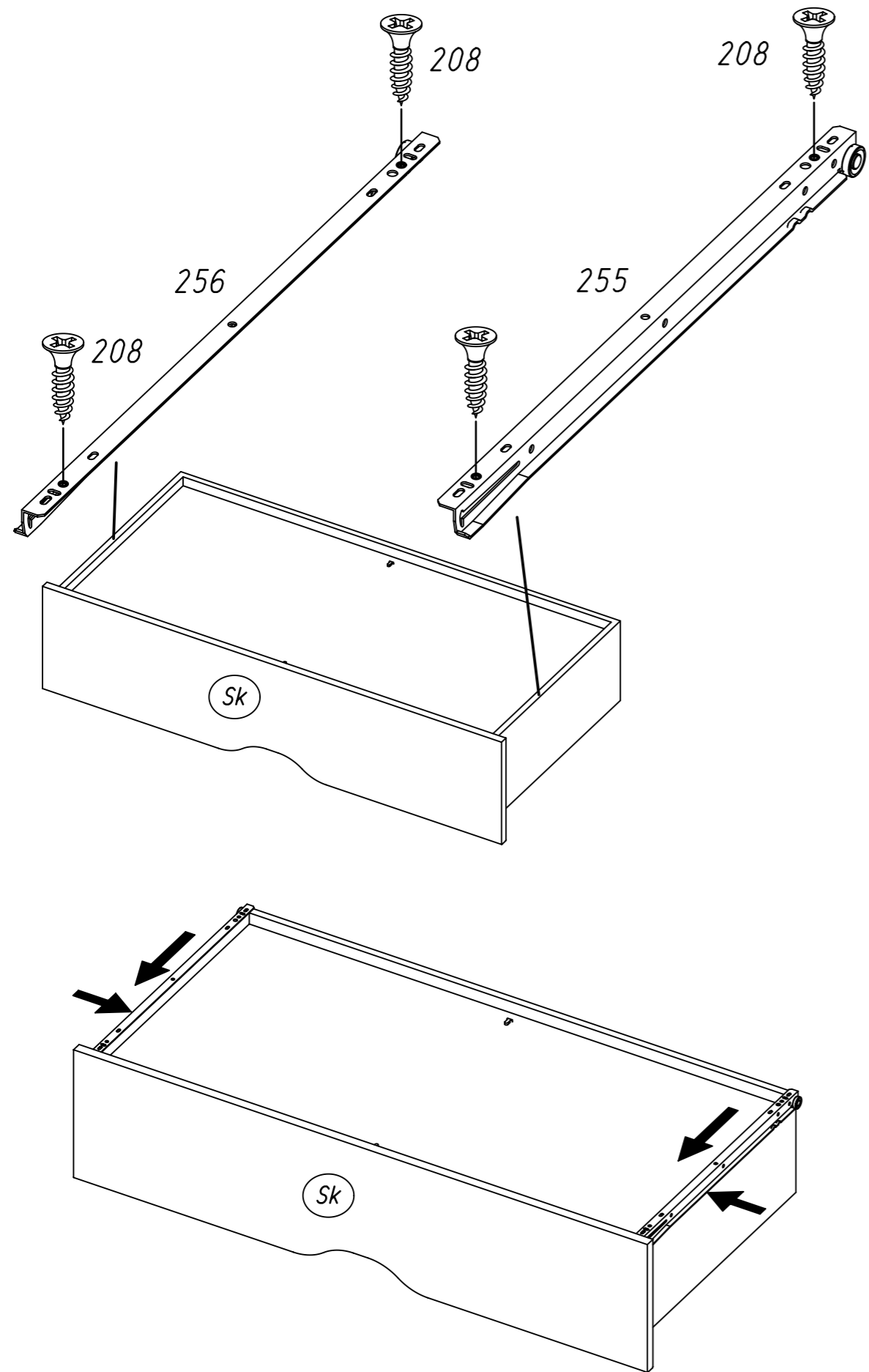


5 242



5.

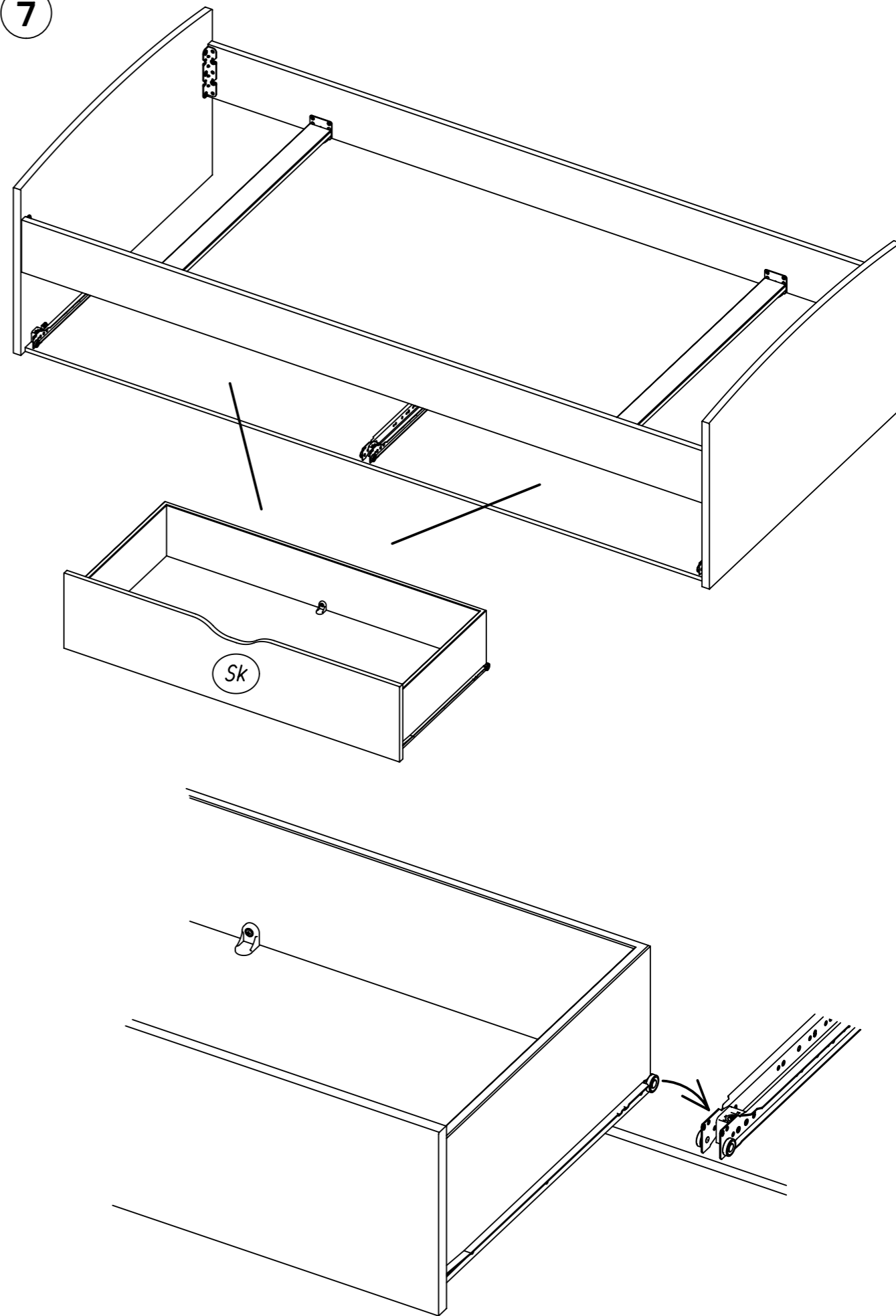
6 208 256 255



M1728

6.

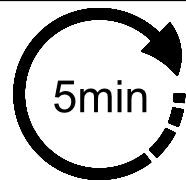
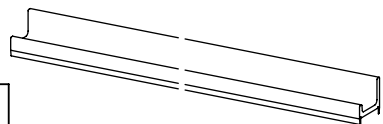
7



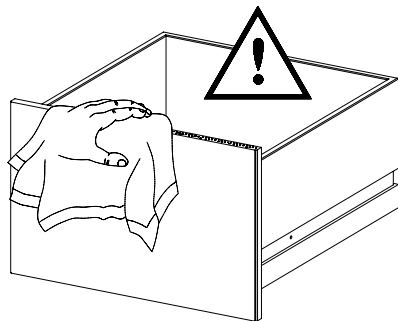
M1728

MZ277_01

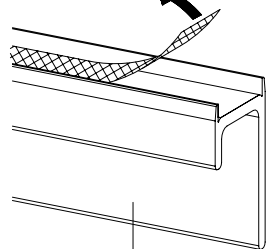
GR010



1.

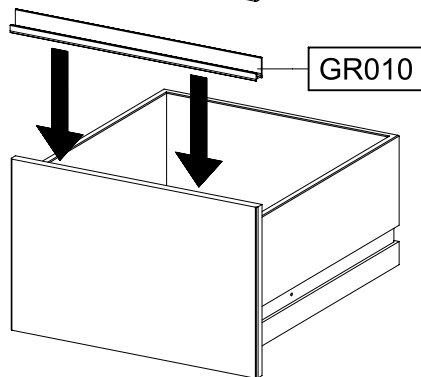


2.

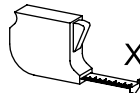
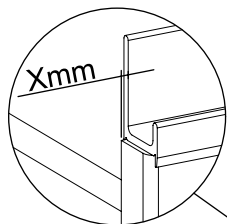


GR010

3.



GR010



Xmm=Xmm

