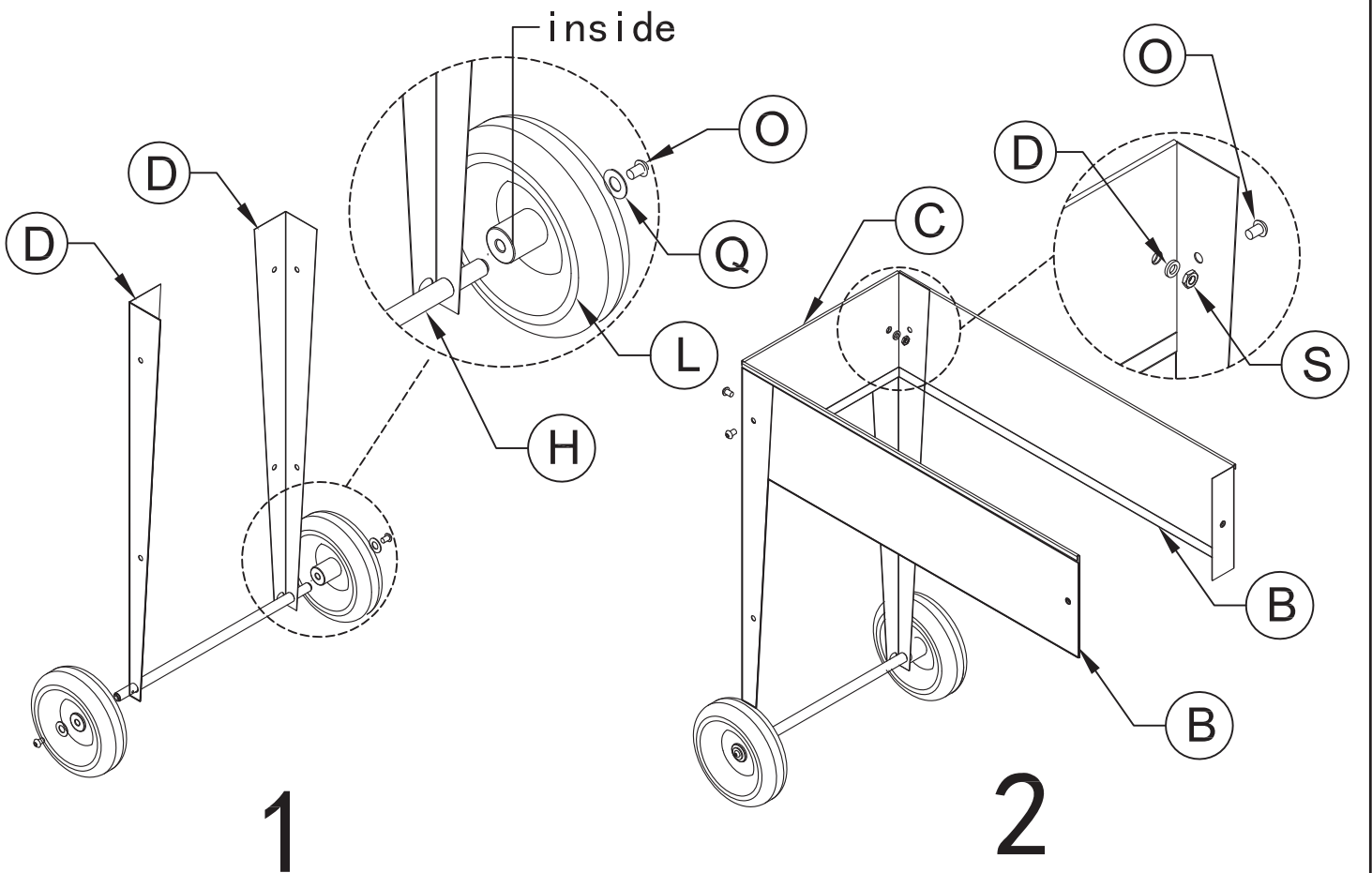
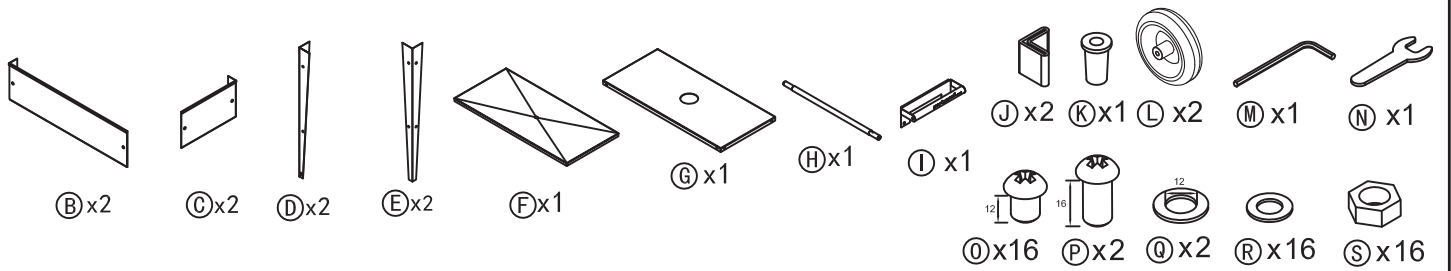
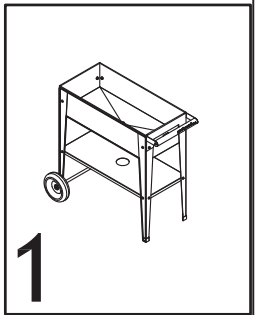
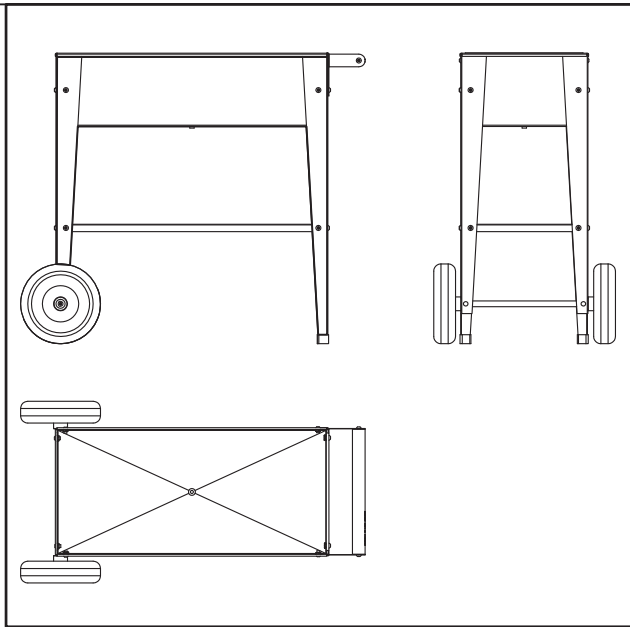


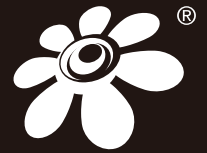
instructions

- 1、 the ① and ② are different;
- 2、 the ③ and ④ are different;



instructions

- 1, firstly, have ① inserted in ②, and then screw with ③ and ④ ;
- 2, the ⑤ and ⑥ are different;
- 3, the ⑦ and ⑧ are different;



Herstera

