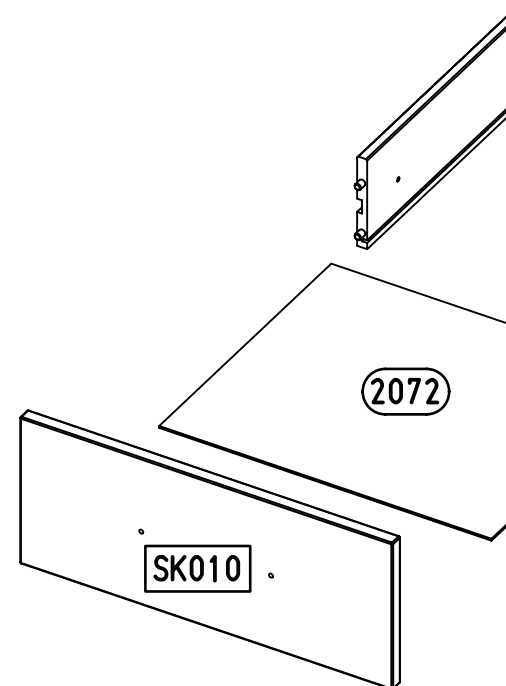
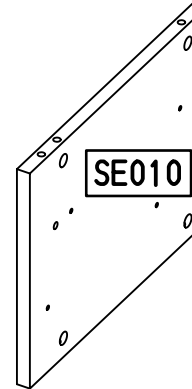
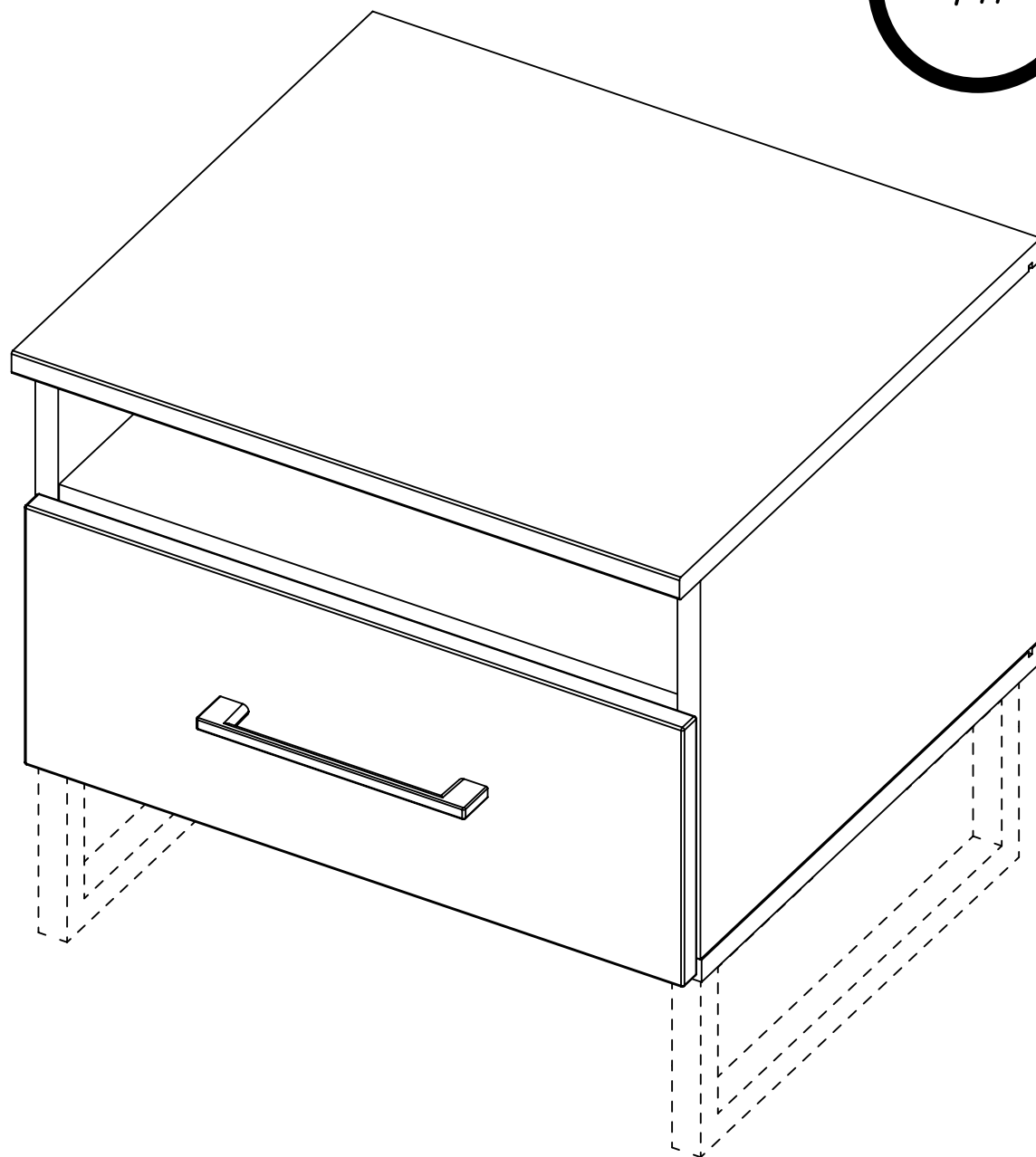
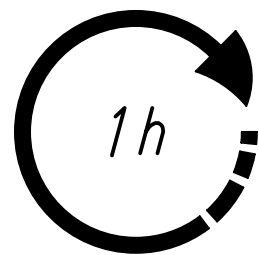
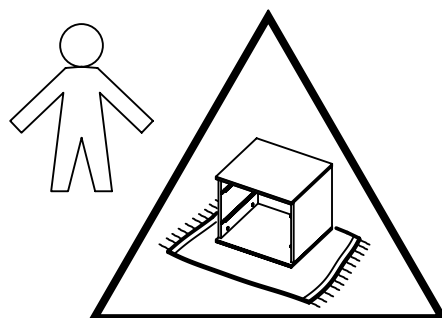
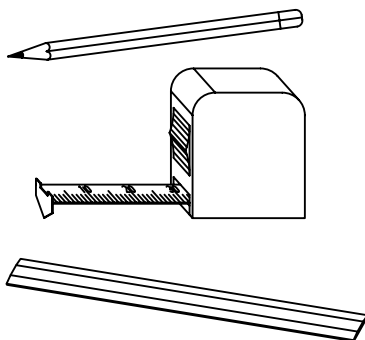
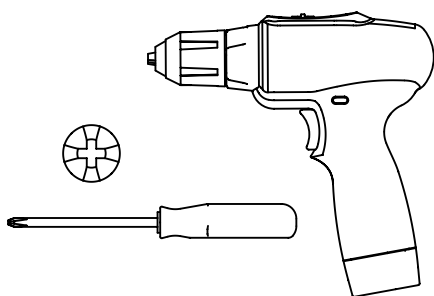
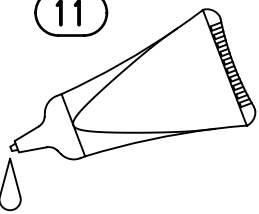
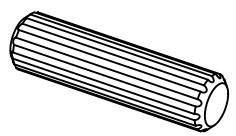
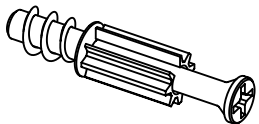
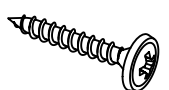
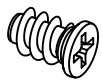
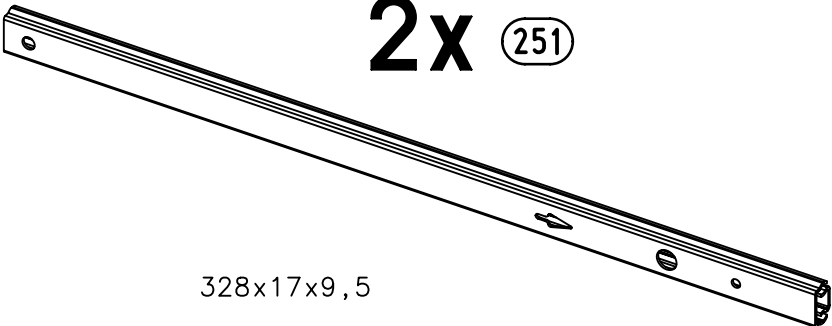


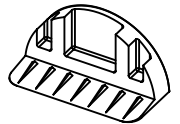


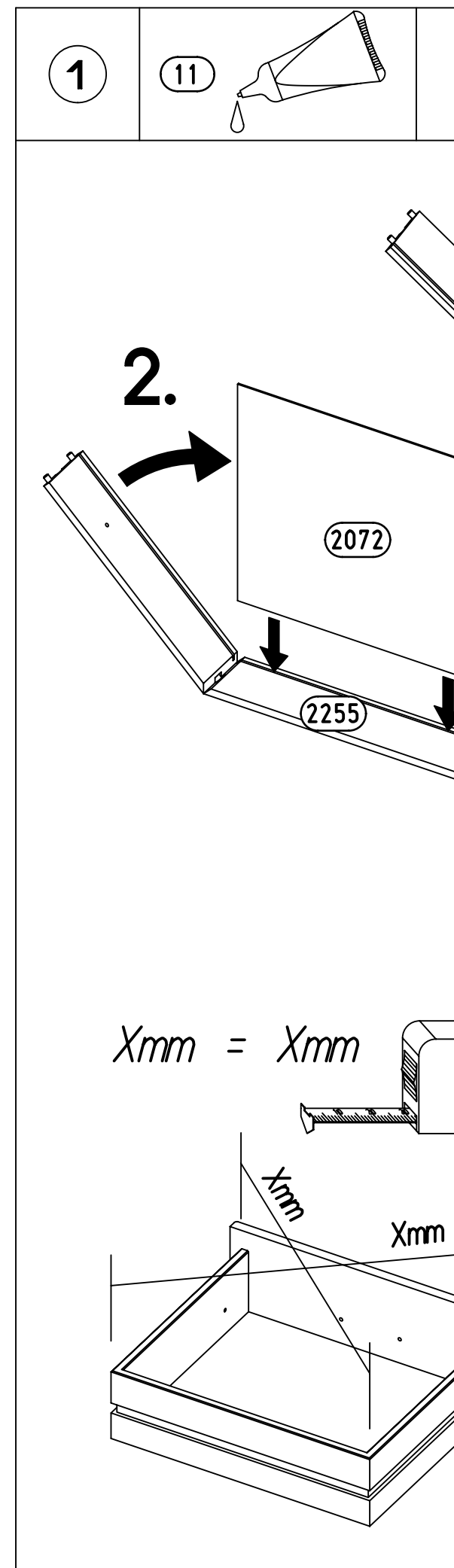
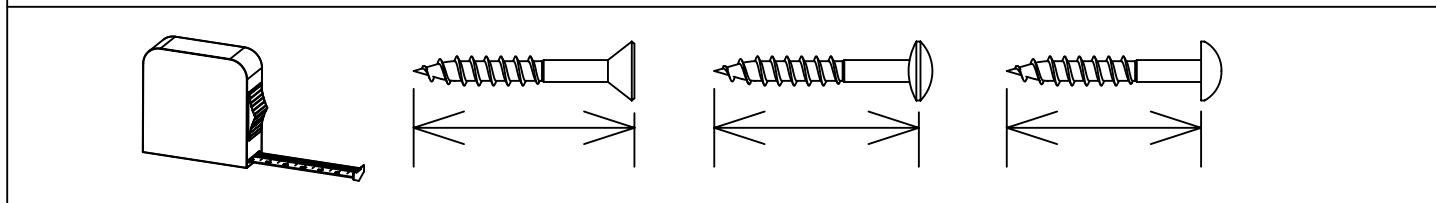
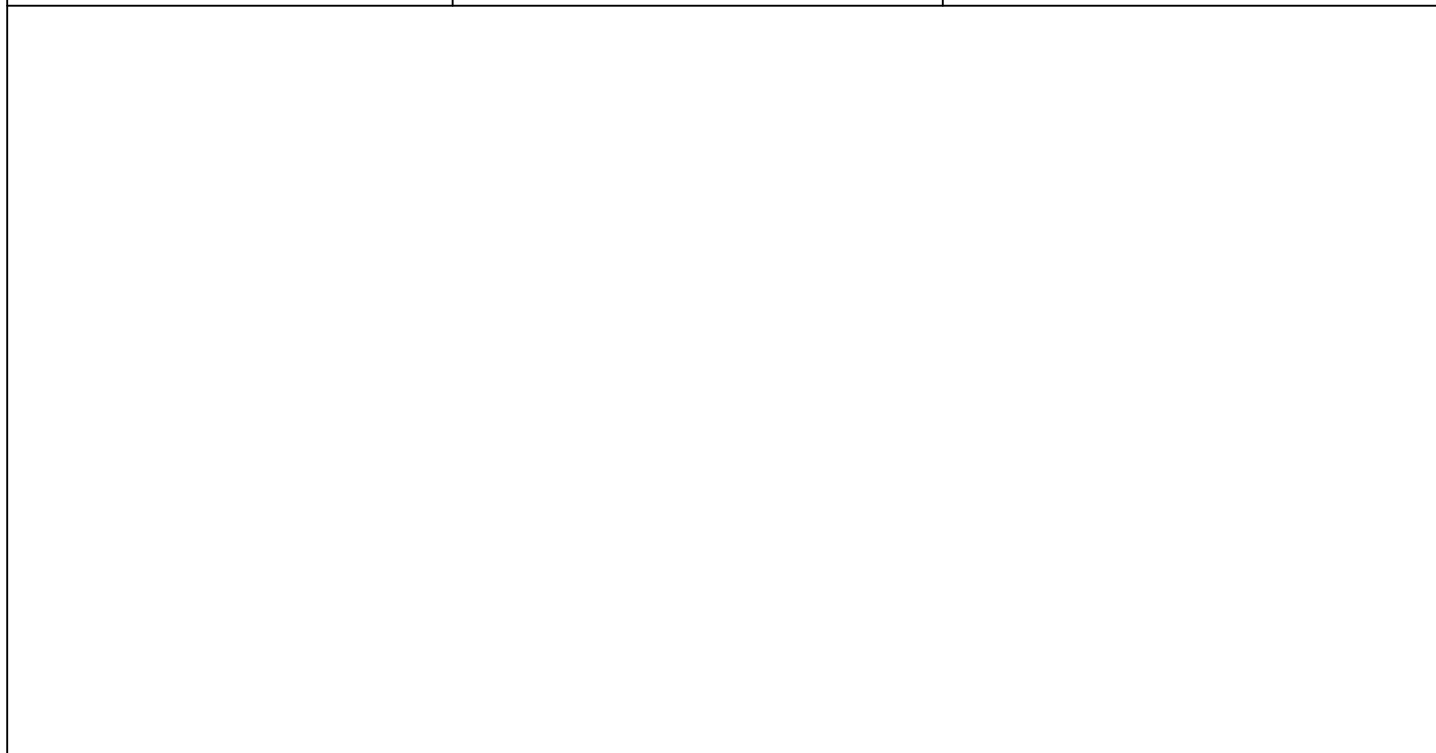
1.

M2468_02

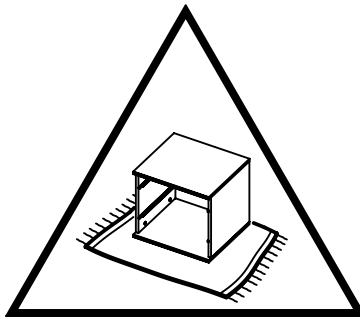
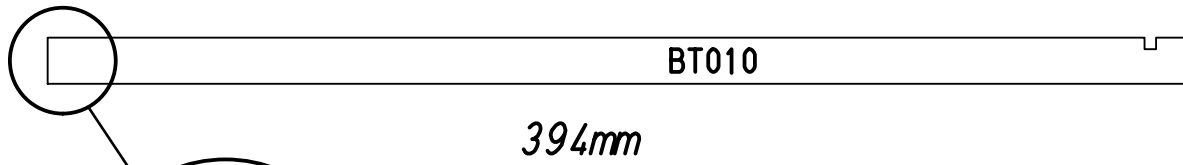
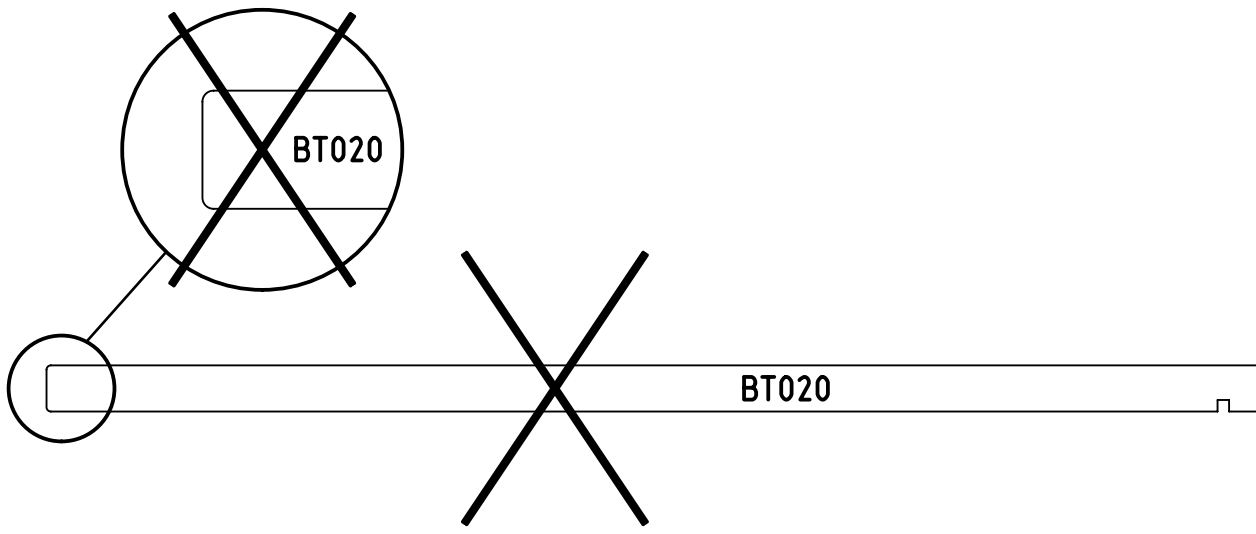
rauch



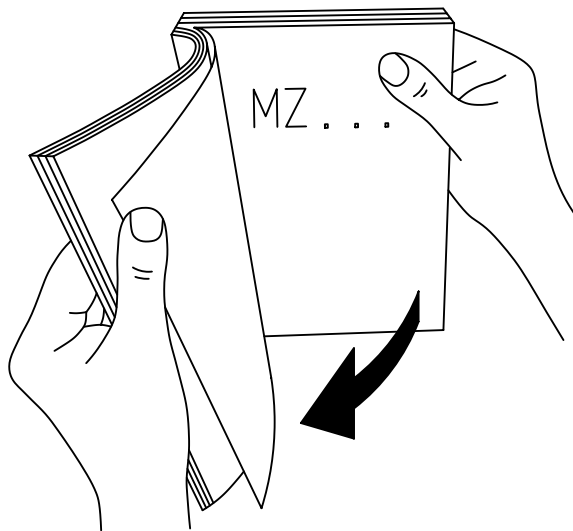
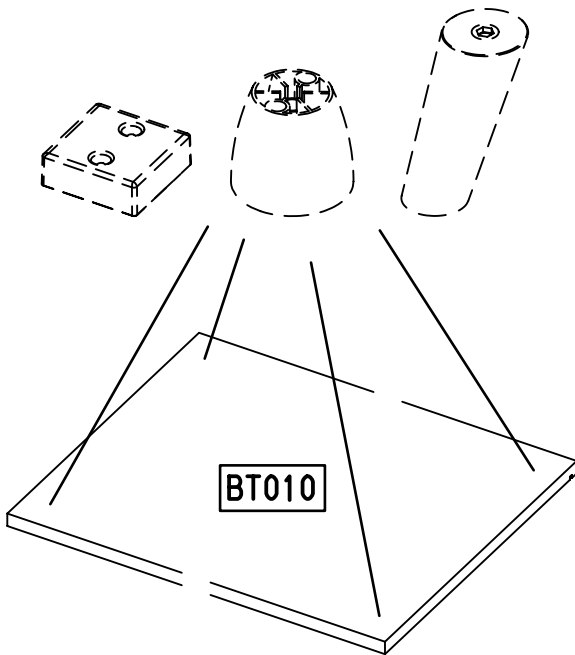
<p>11</p> 	<p>12x 18</p>  <p>8x30</p>	<p>12x 183</p>  <p>23/10x7,5</p>	<p>3x 215</p>  <p>3x20</p>
<p>4x 227</p>  <p>6x10,5</p>	<p>2x 251</p>  <p>328x17x9,5</p>		
<p>12x 349</p> 	<p>2x 568</p>  <p>M4x9</p>	<p>2x 1090</p> 	



2

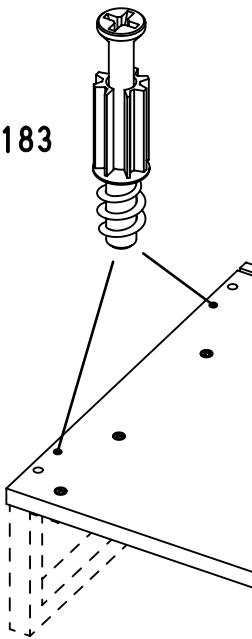
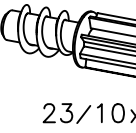


?



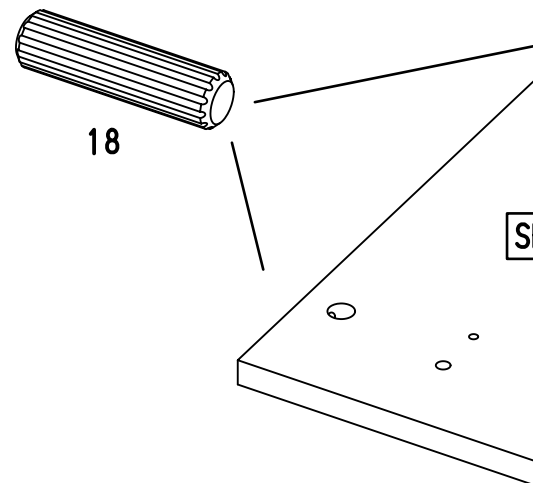
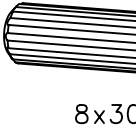
3

4x 183

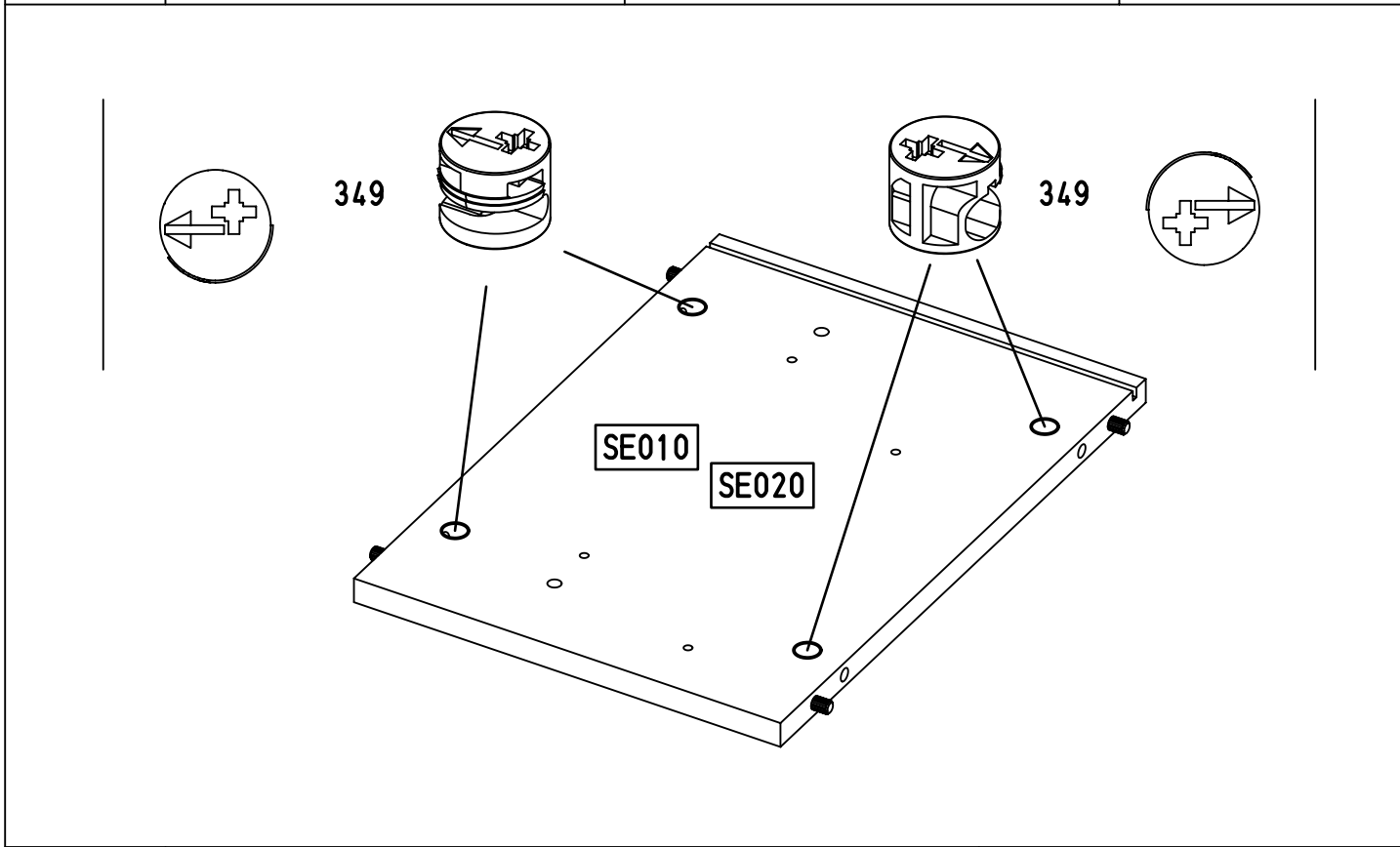


4

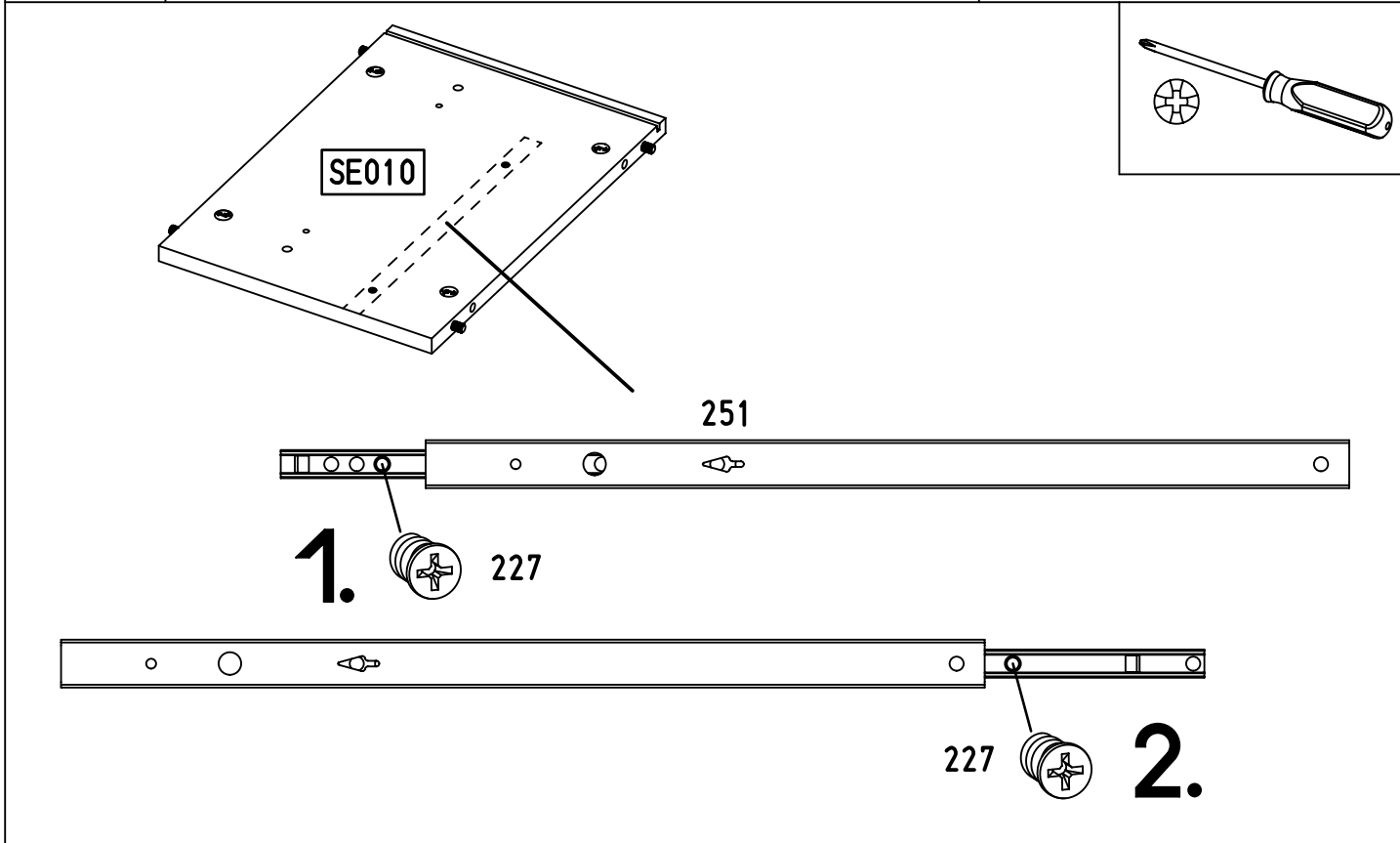
8x 18



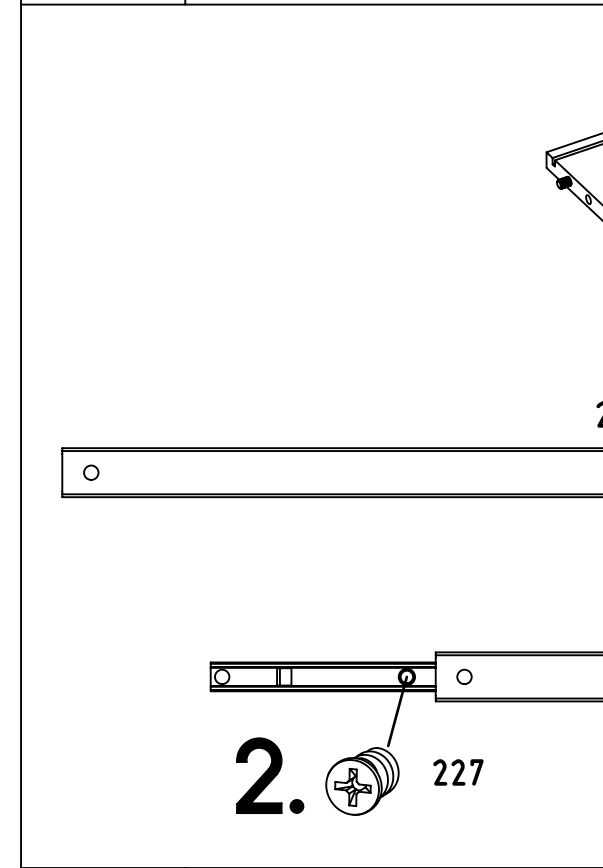
5	8x 349		
---	--------	--	--



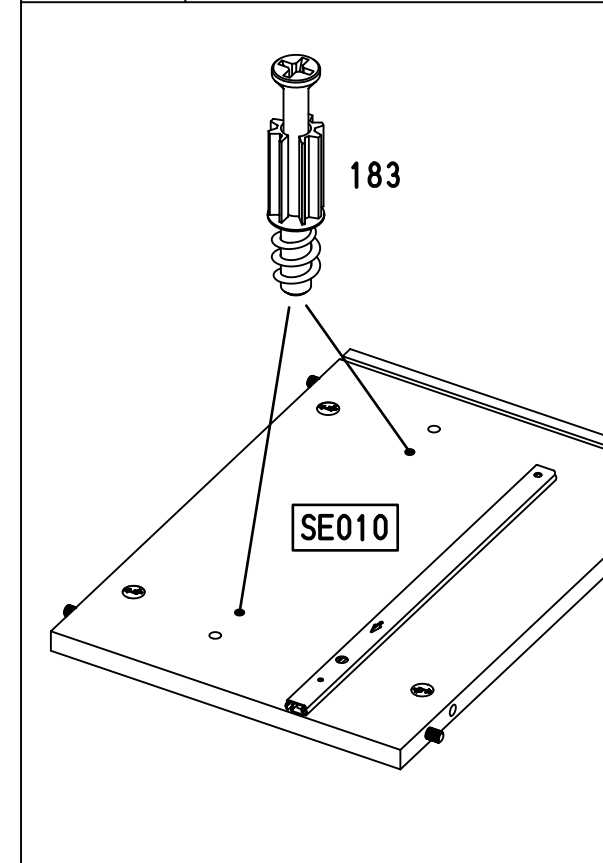
6	1x 251	<p>328x17x9,5</p>	2x 227	<p>6x10,5</p>
---	--------	-------------------	--------	---------------



7	1x 251	<p>328x</p>
---	--------	-------------



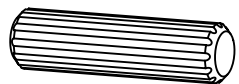
8	4x 183	<p>23/10</p>
---	--------	--------------



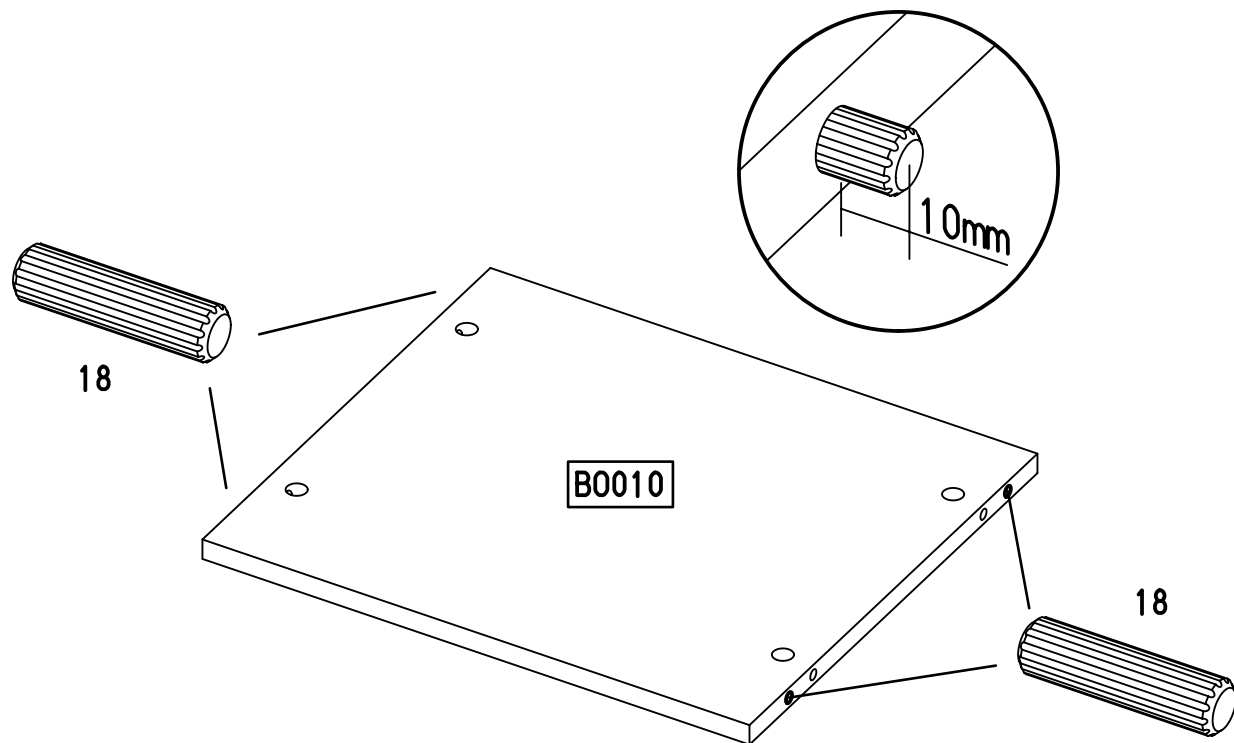
9.

9

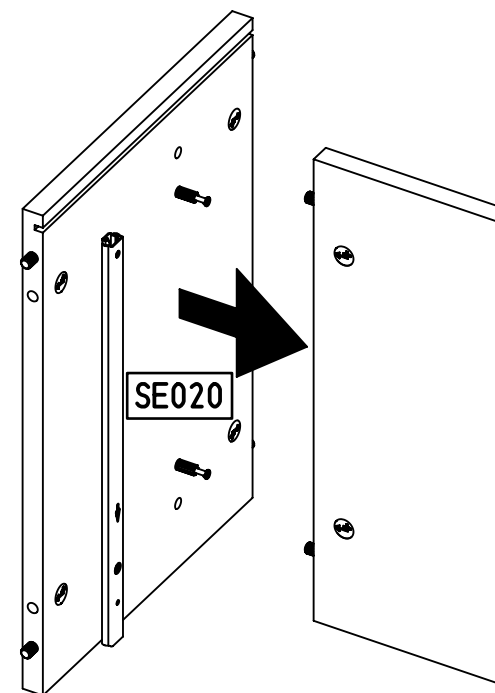
4x 18



8x30

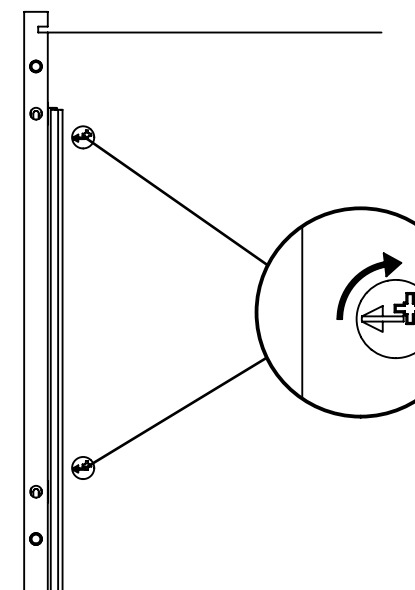
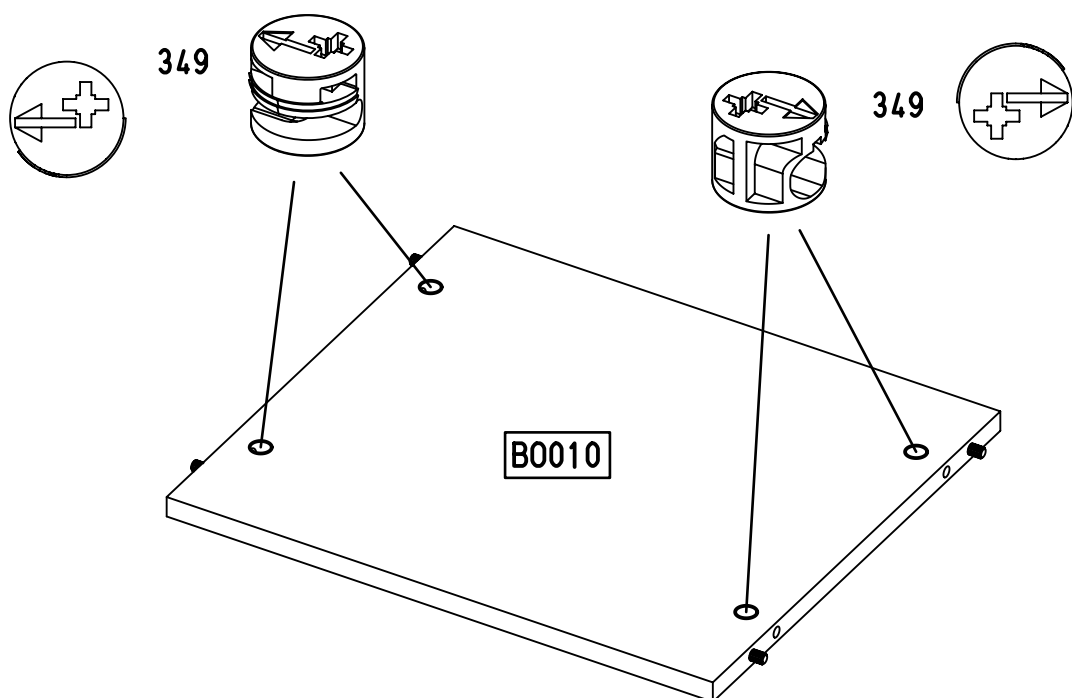
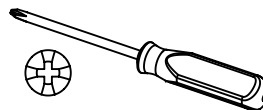
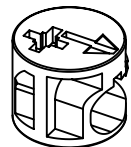


11

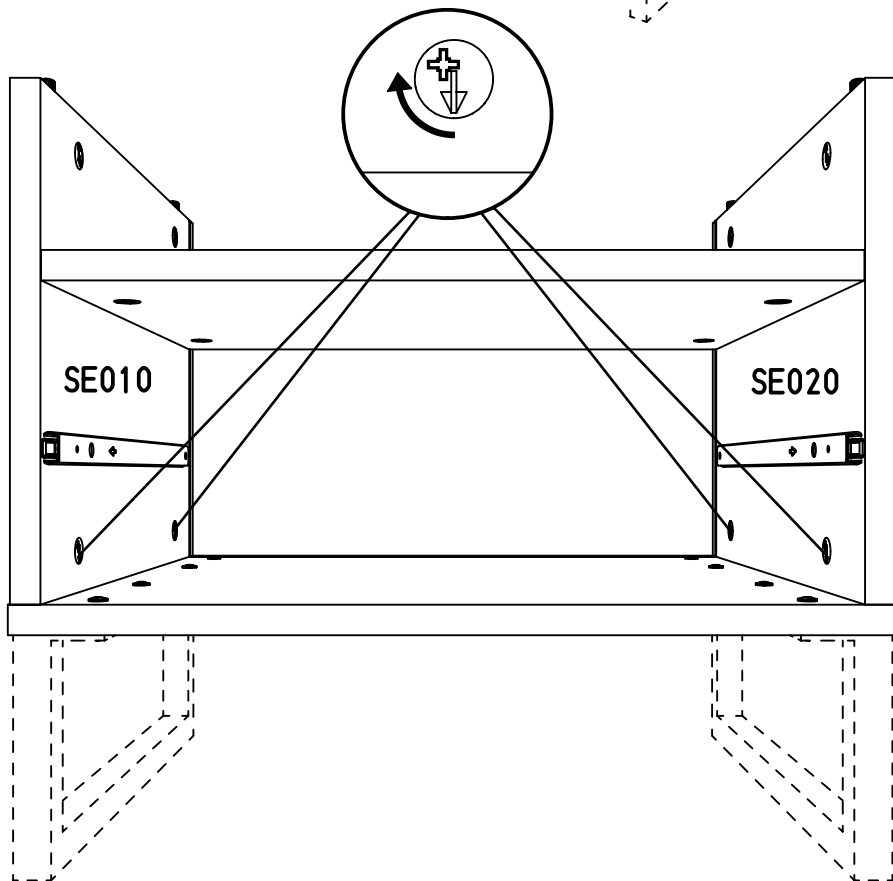
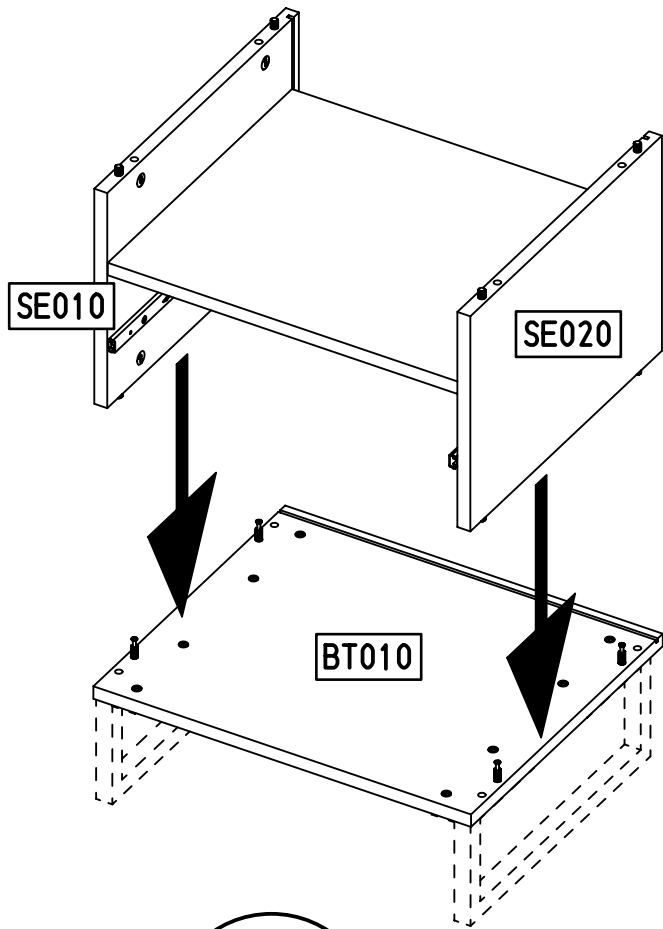
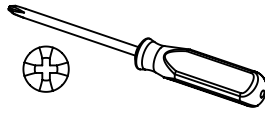


10

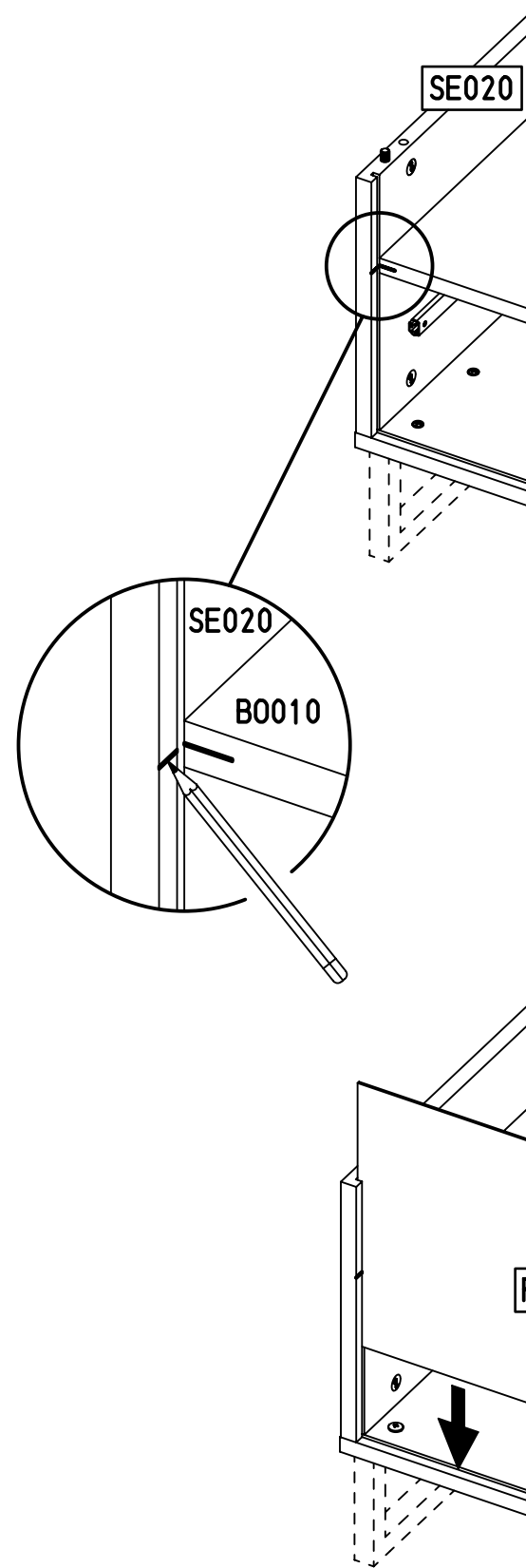
4x 349



12



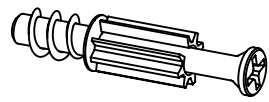
13



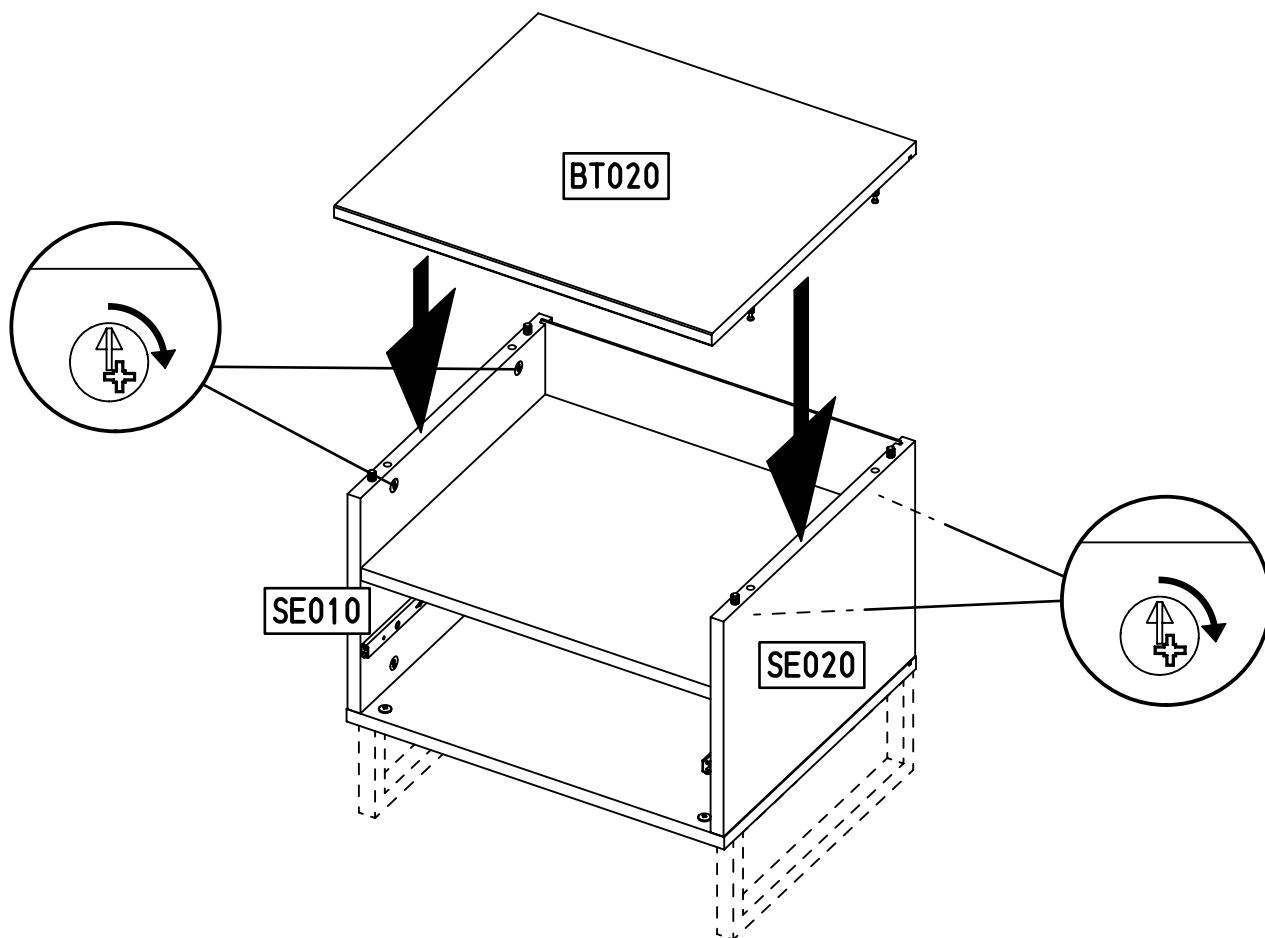
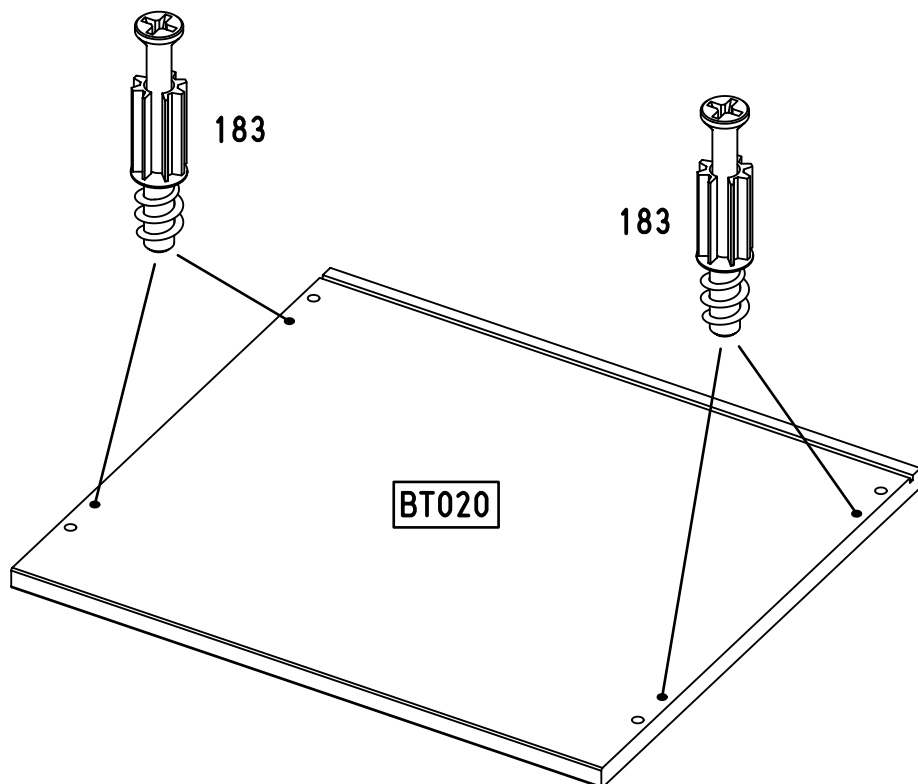
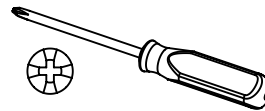
14

4x

183



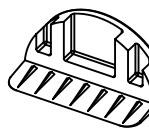
23/10x7,5



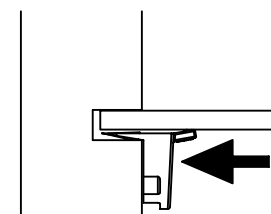
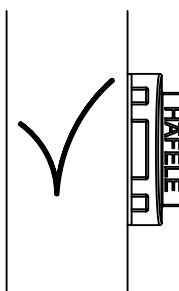
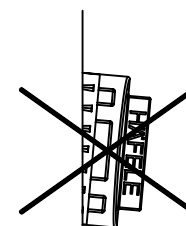
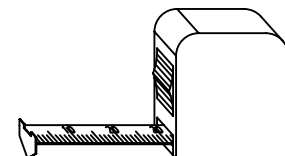
15

2x

1090



Xmm = Xmm

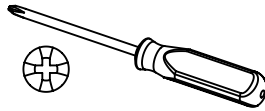
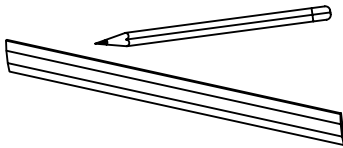


16

3x 215



3x20

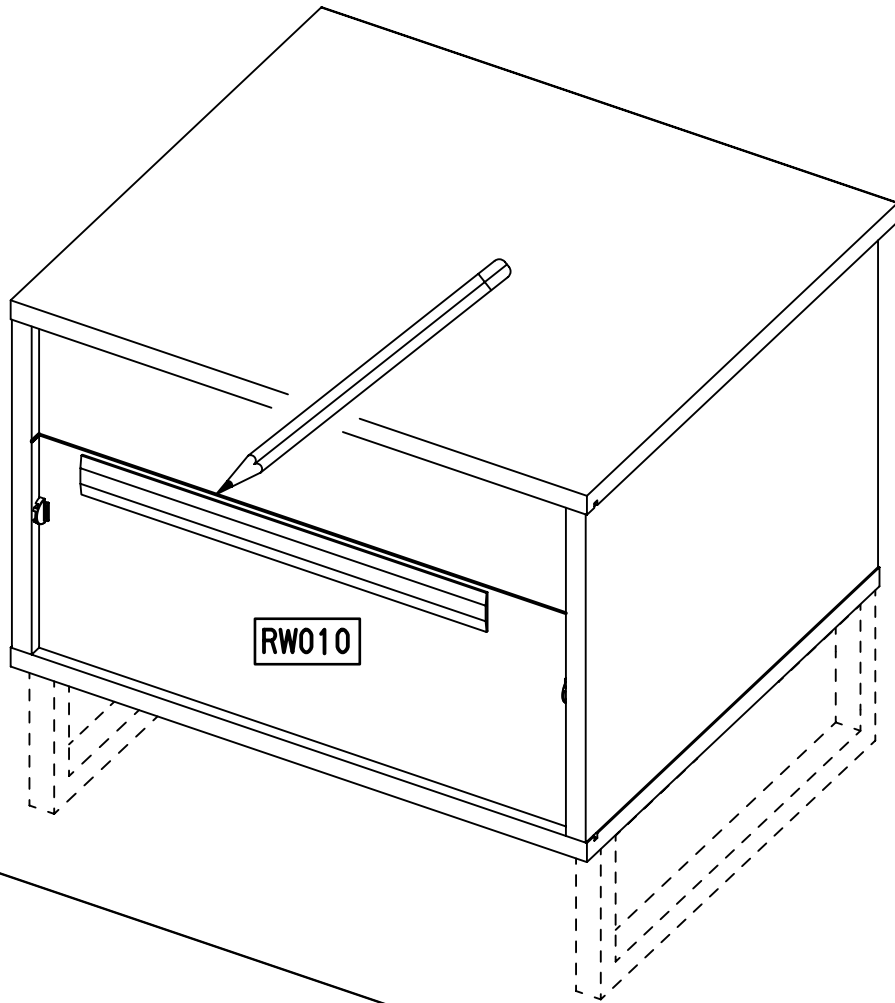


17

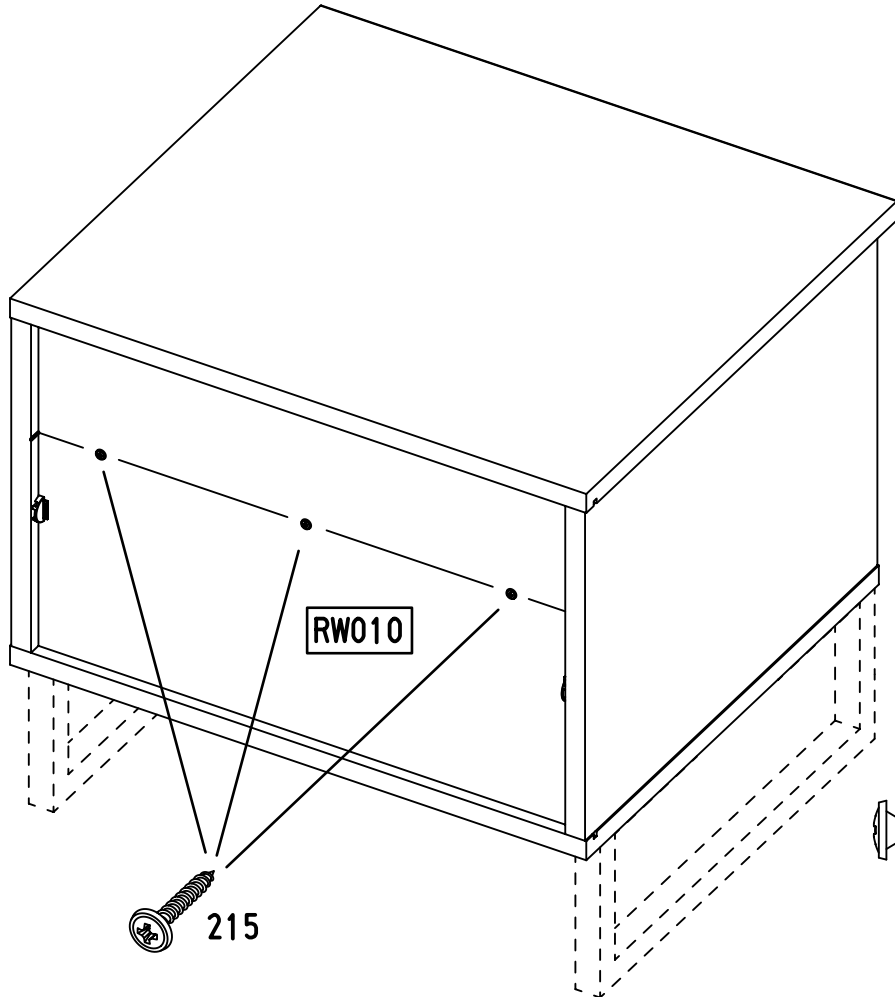
2x 568



M4x9

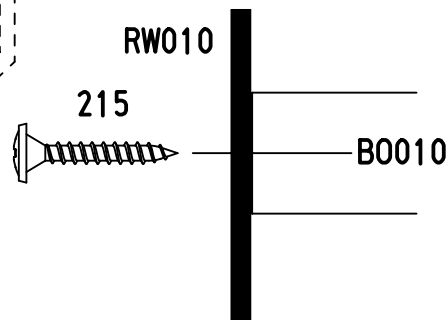


RW010



RW010

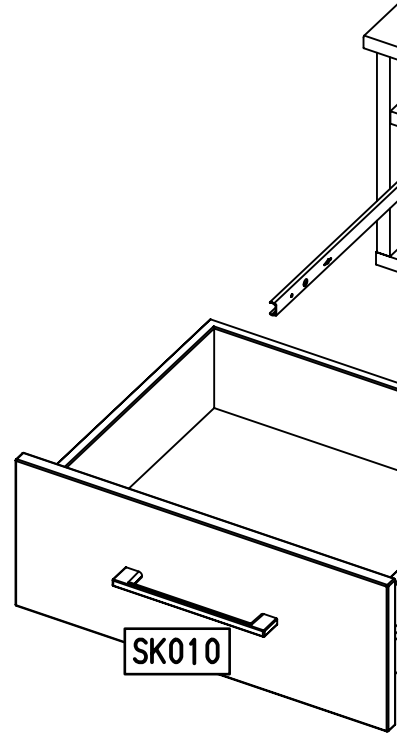
215



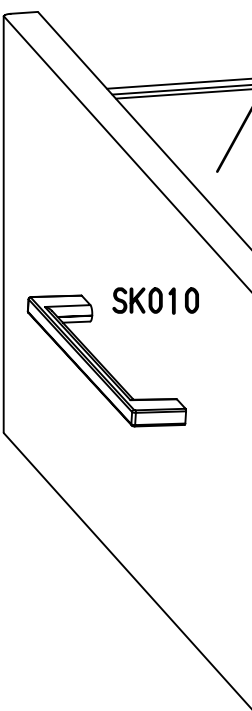
RW010

215

B0010



SK010



SK010