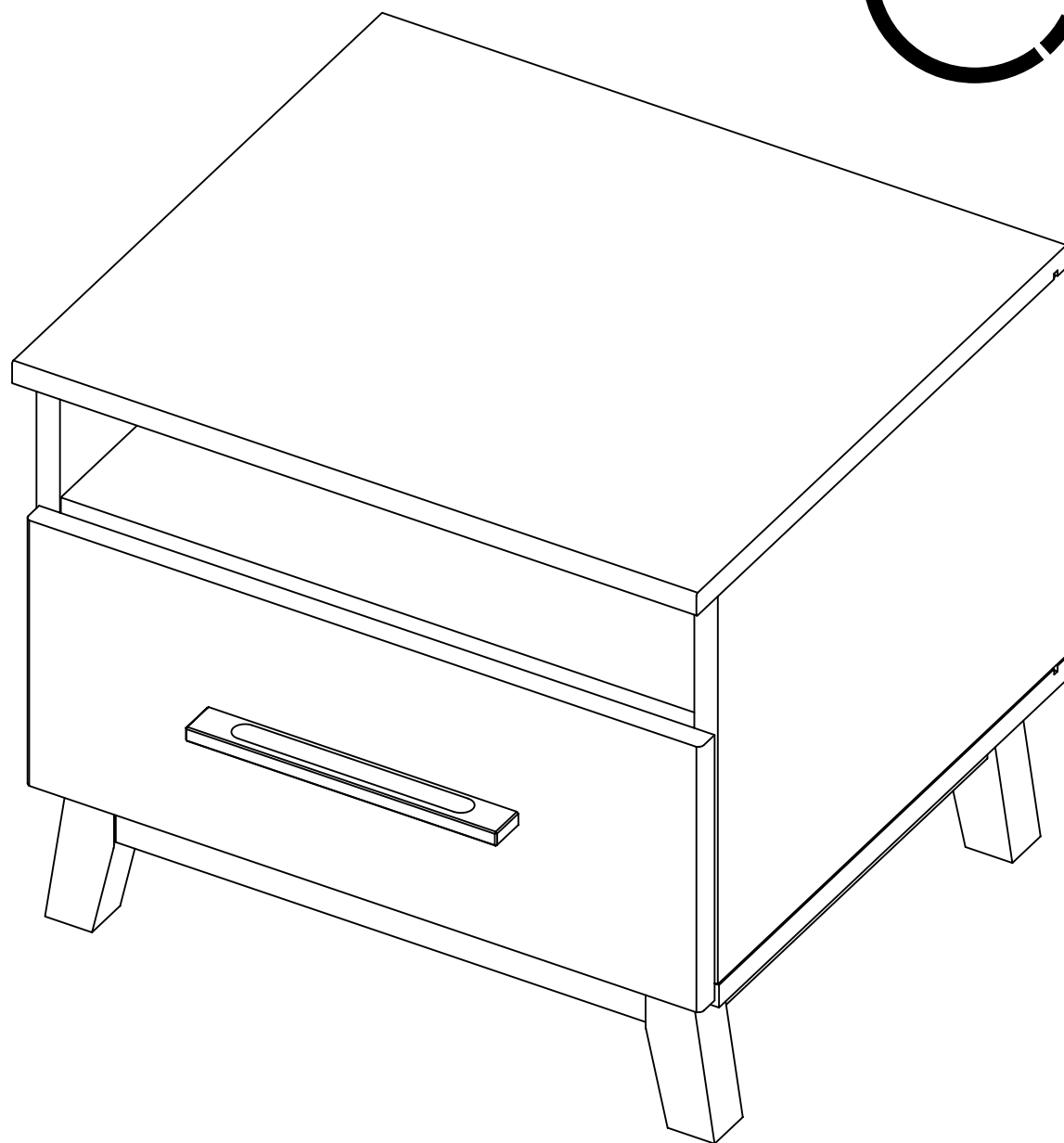
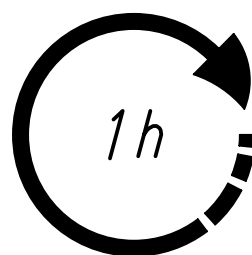
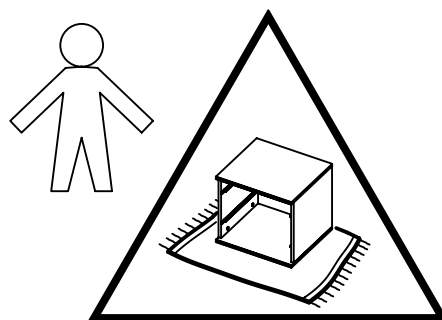
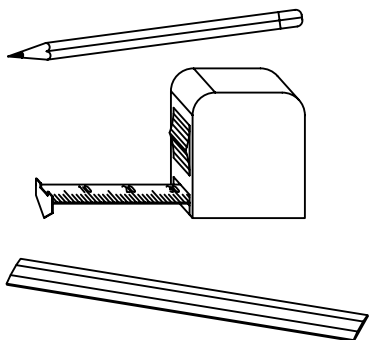
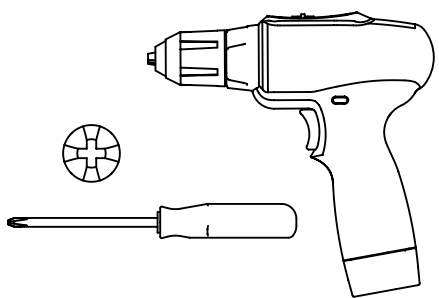


1.

M2429\_02

rauch

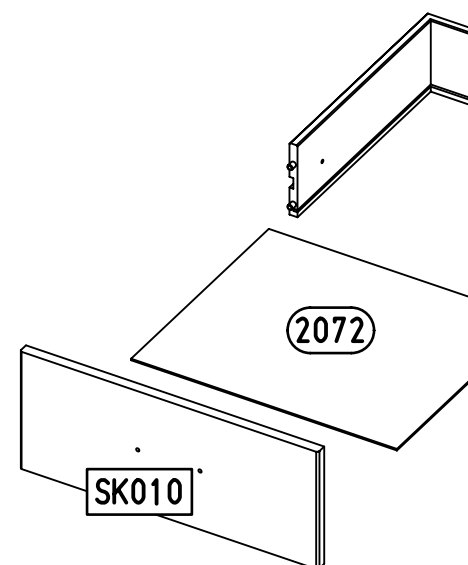


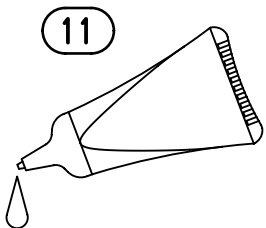
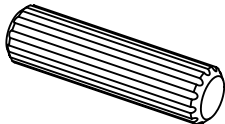
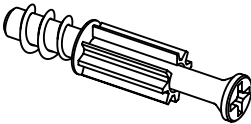
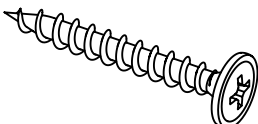
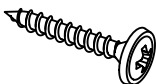

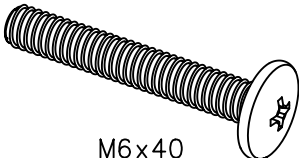
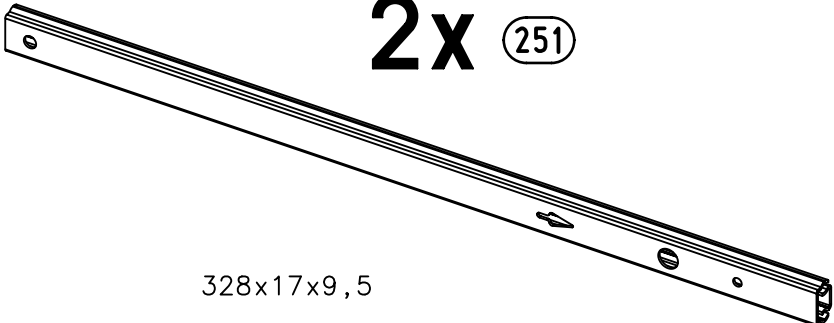


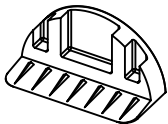
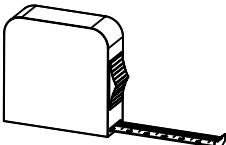
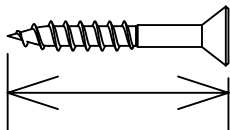
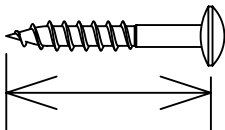
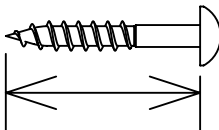
TV020 = TV030

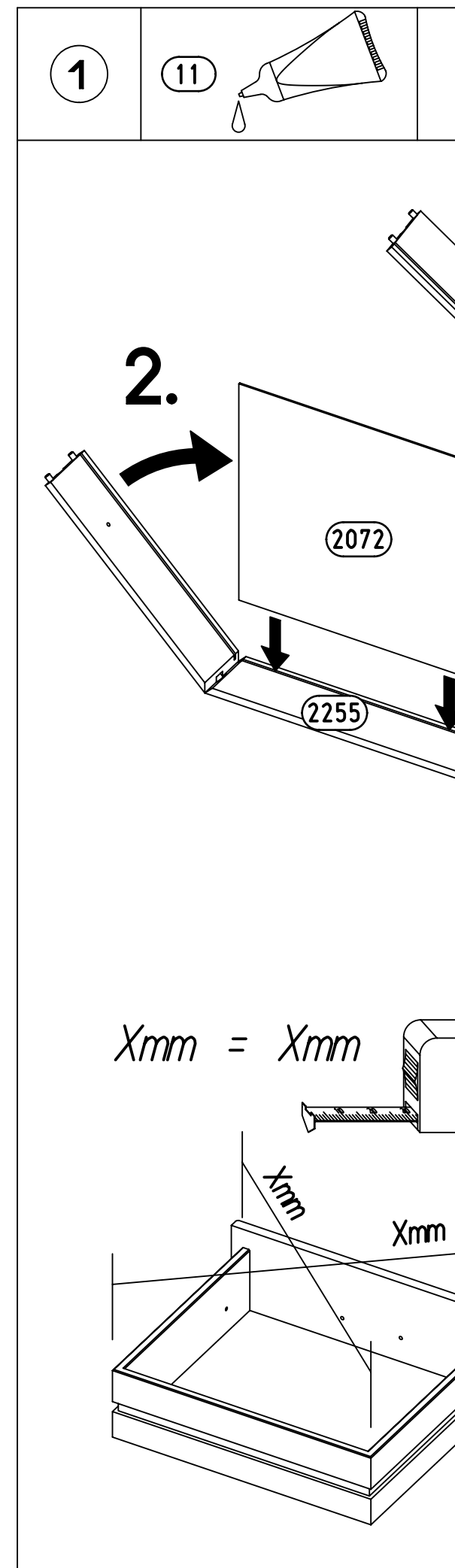
FU010 = FU040

FU020 = FU030

FU010

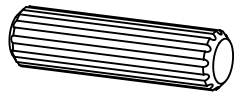


 <p>11</p>	<p><b>18x</b> (18)</p>  <p>8x30</p>	<p><b>18x</b> (183)</p>  <p>23/10x7,5</p>	<p><b>6x</b> (214)</p>  <p>4,5x35</p>
<p><b>3x</b> (215)</p>  <p>3x20</p>	<p><b>4x</b> (227)</p>  <p>6x10,5</p>	<p><b>4x</b> (245)</p>  <p>M6x40</p>	
<p><b>2x</b> (251)</p>  <p>328x17x9,5</p>		<p><b>18x</b> (349)</p> 	
<p><b>2x</b> (568)</p>  <p>M4x9</p>	<p><b>2x</b> (1090)</p> 		
   			

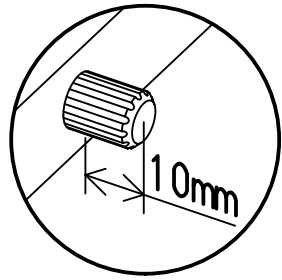


2

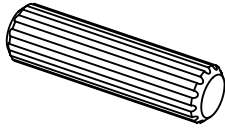
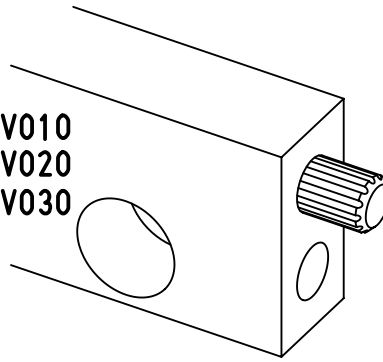
6x 18



8x30

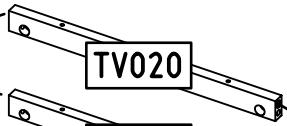
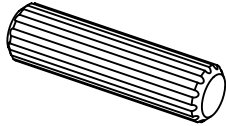


TV010  
TV020  
TV030

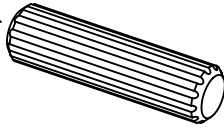


18

TV010



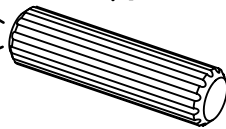
TV020



18

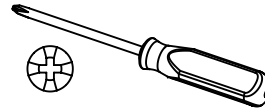


TV030

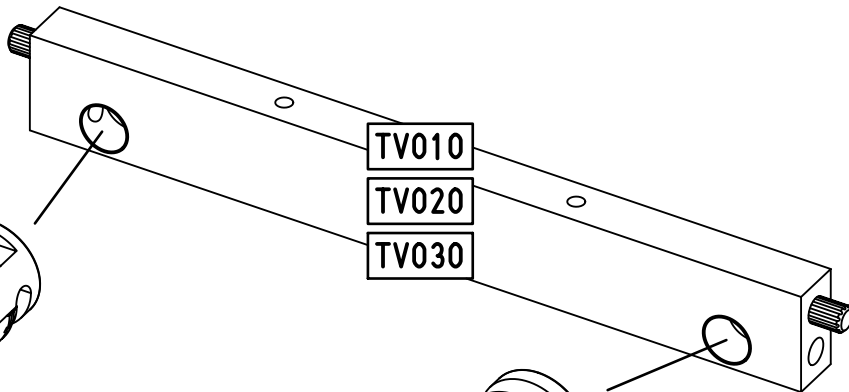


3

6x 349



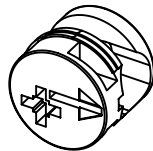
349



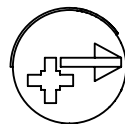
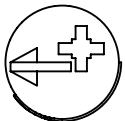
TV010

TV020

TV030

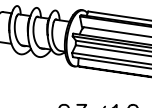


349

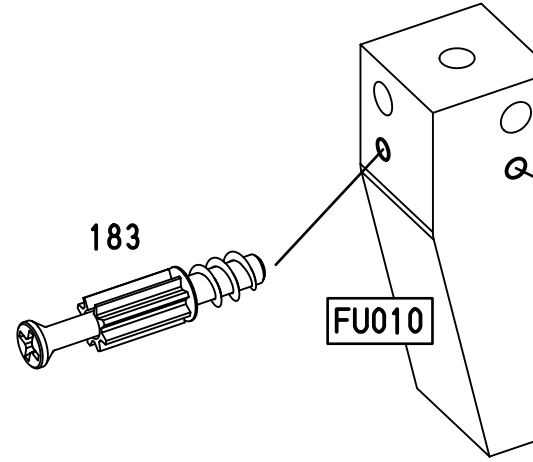


4

6x 183



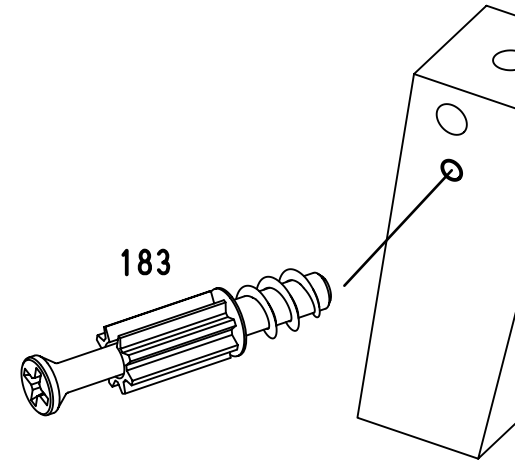
23/100



183

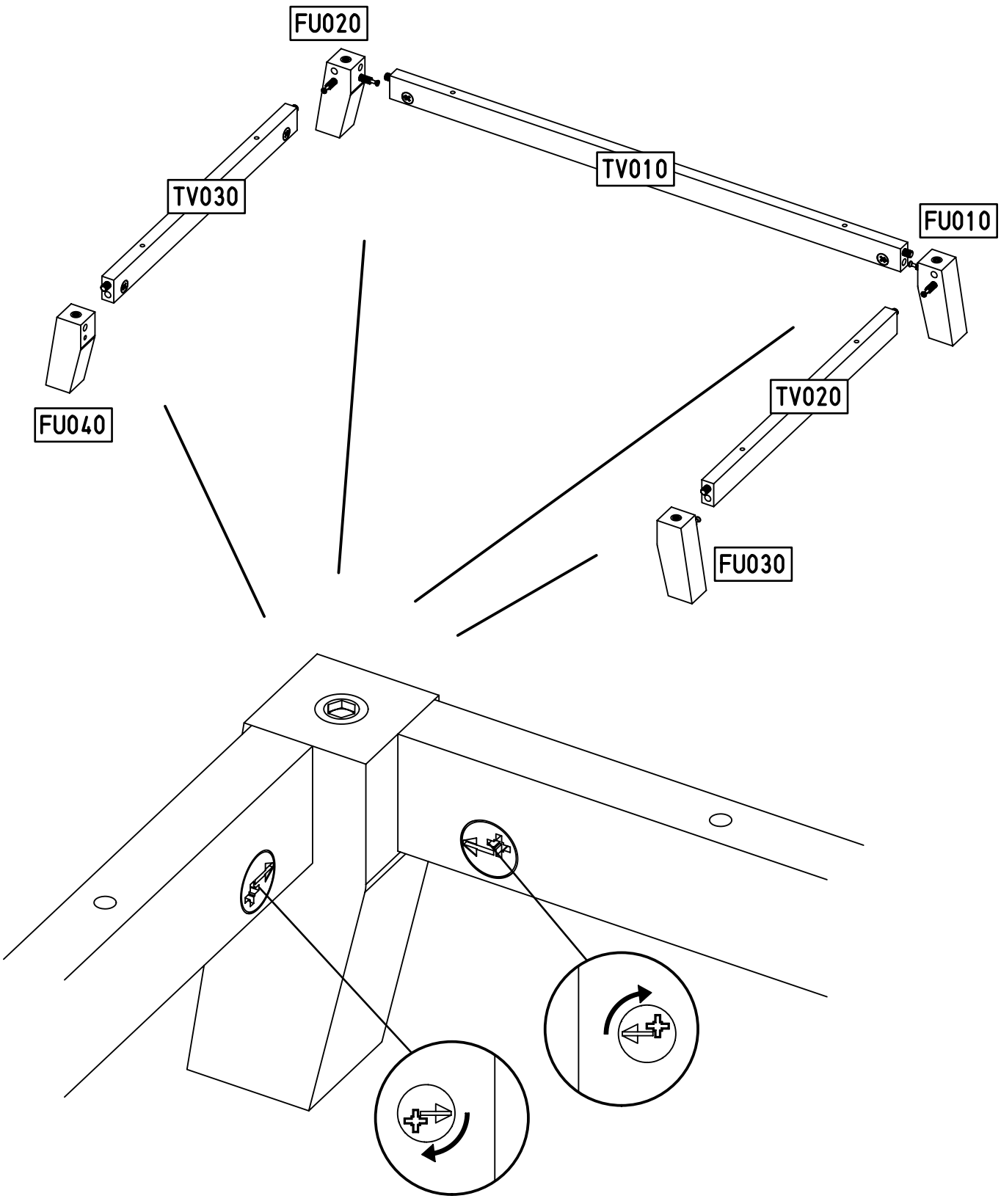
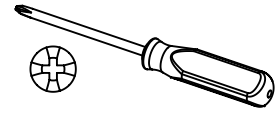
FU010

18



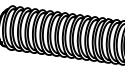
183

5

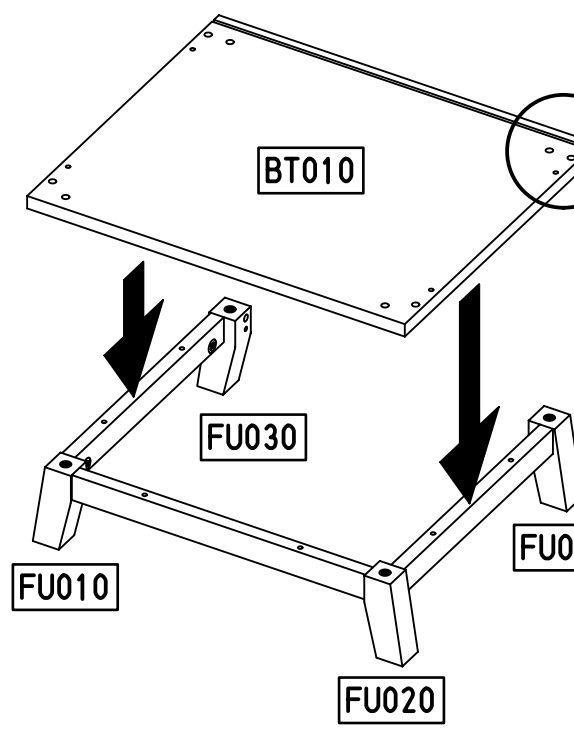


6

4x 245



M6x

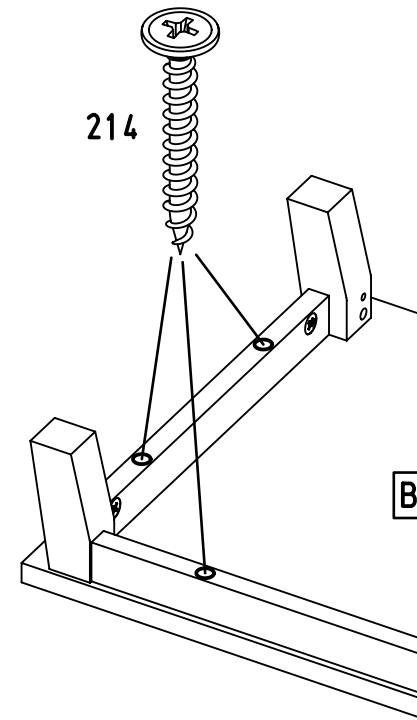


7

6x 214

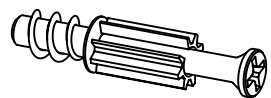


4,5x

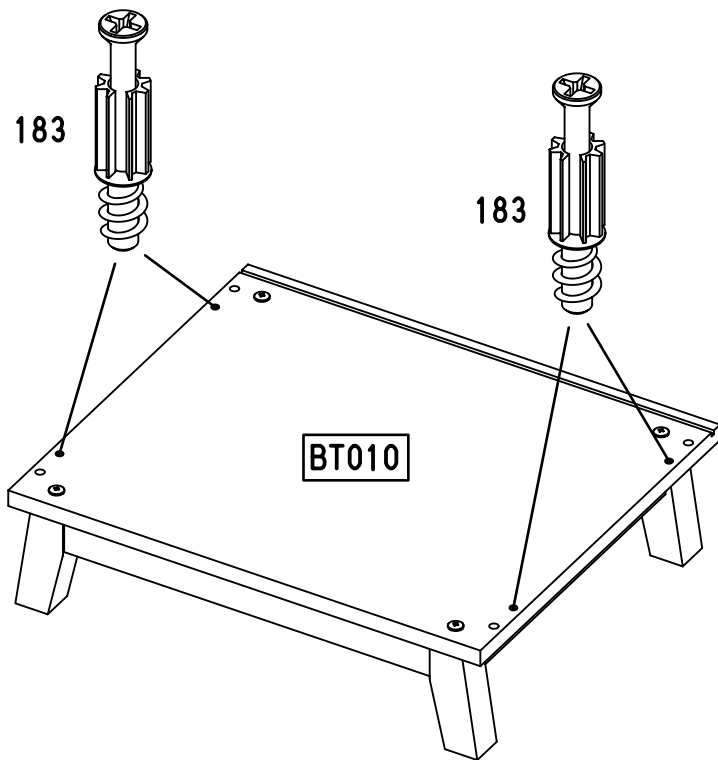
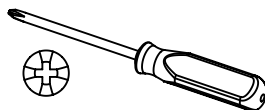


8

4x 183

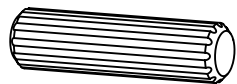


23/10x7,5

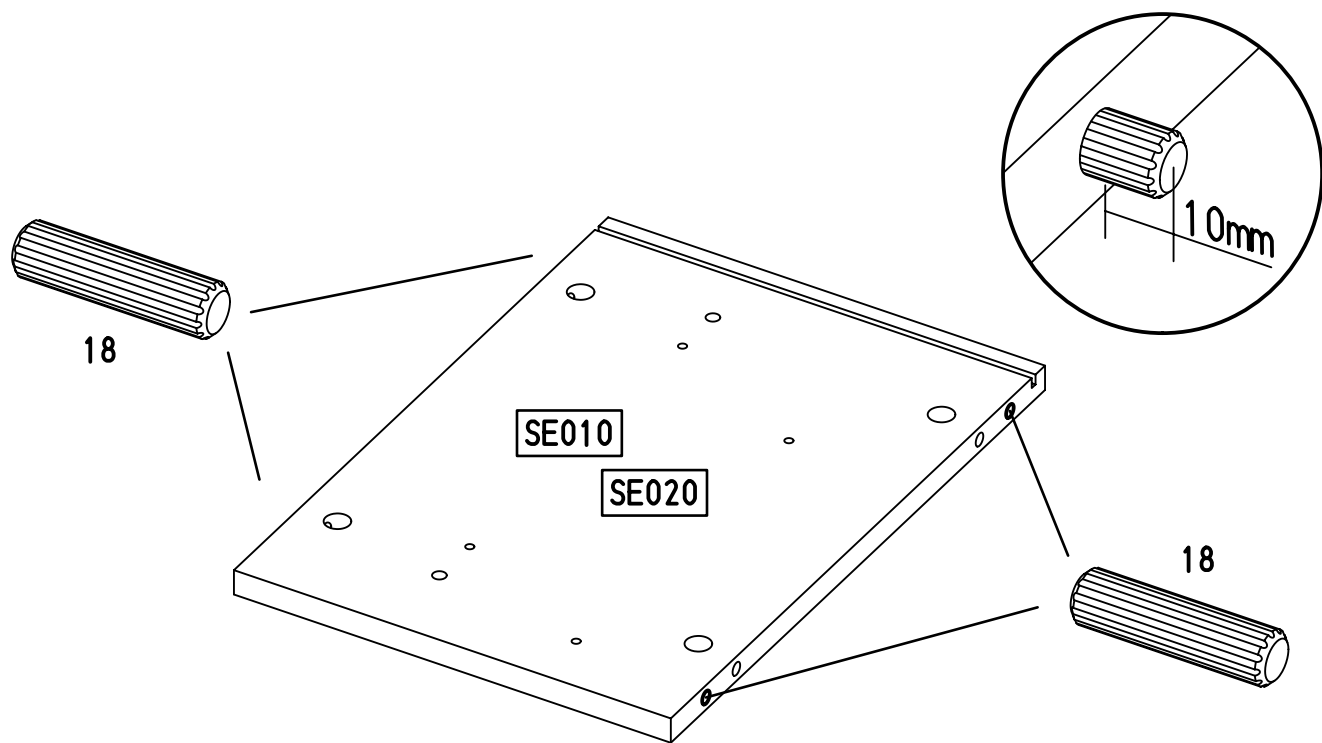


9

8x 18

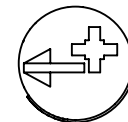


8x30



10

8x 349



349

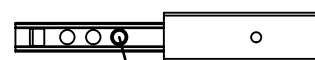
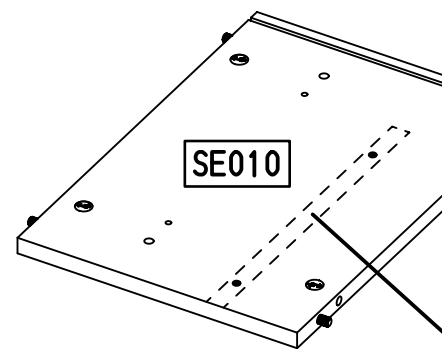


11

1x 251



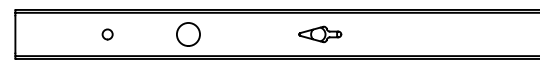
328x



1.

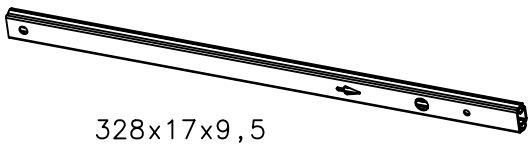


227



12

1x 251

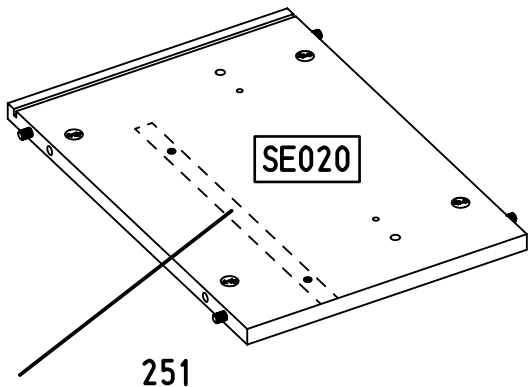
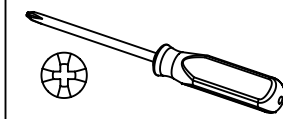


328x17x9,5

2x 227



6x10,5



SE020

251

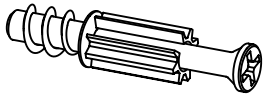
227 1.



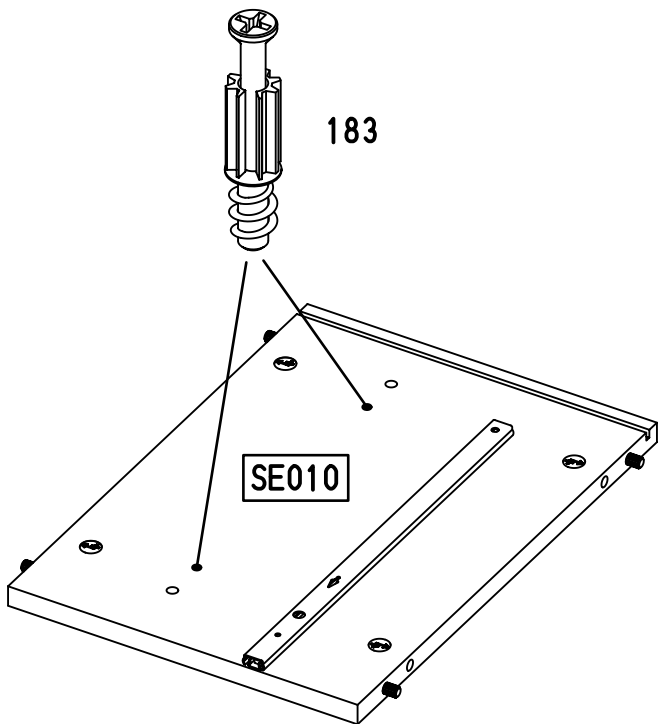
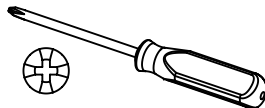
2. 227

13

4x 183

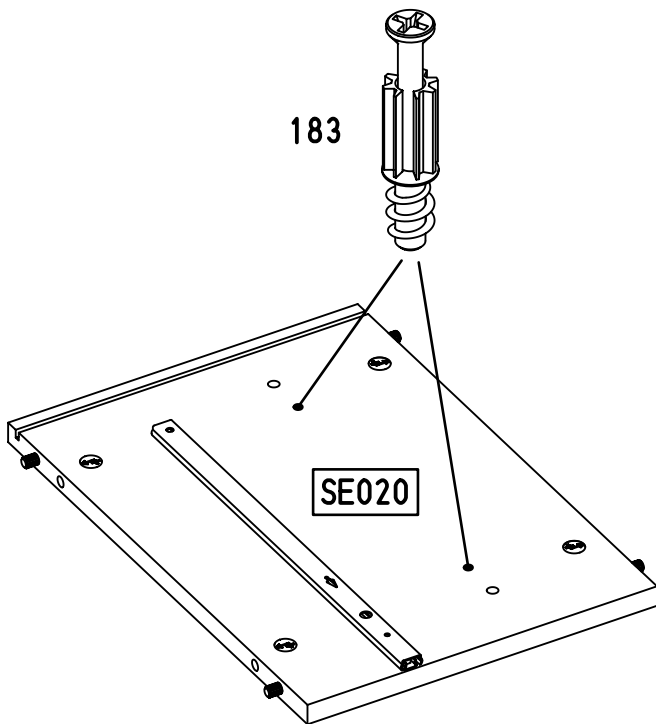


23/10x7,5



183

SE010



183

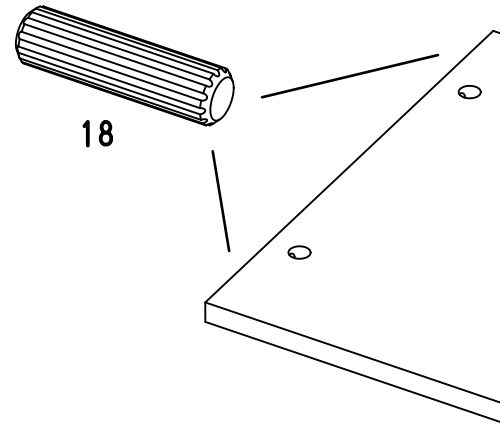
SE020

14

4x 18



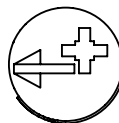
8x30



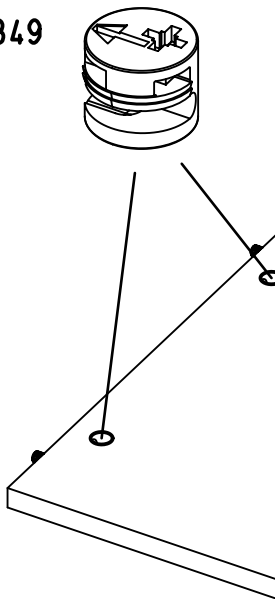
18

15

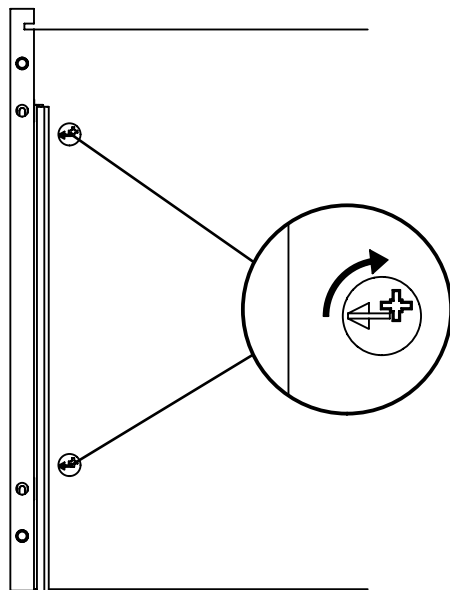
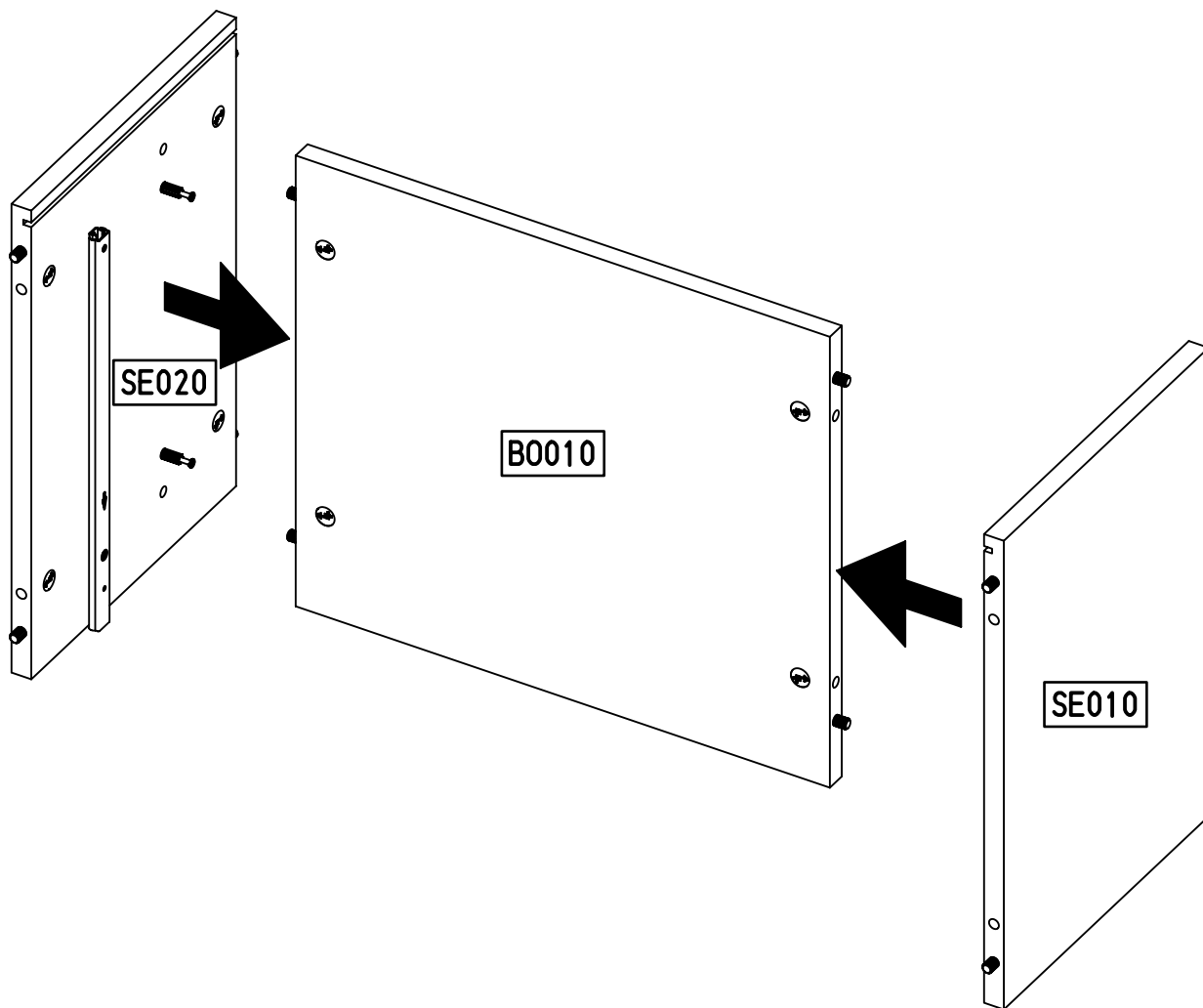
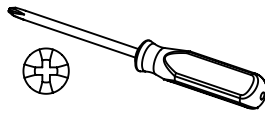
4x 349



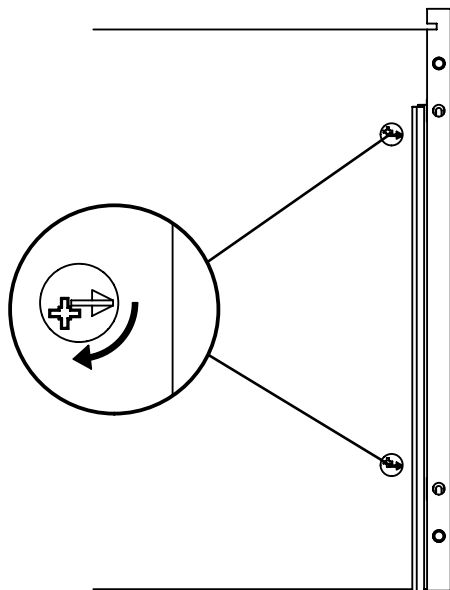
349



16

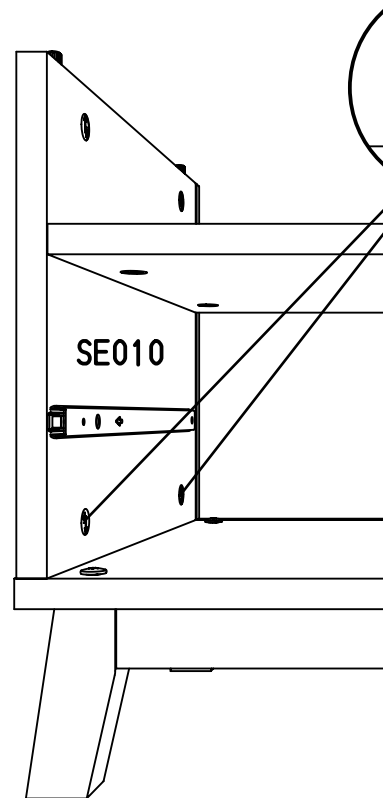


B0010



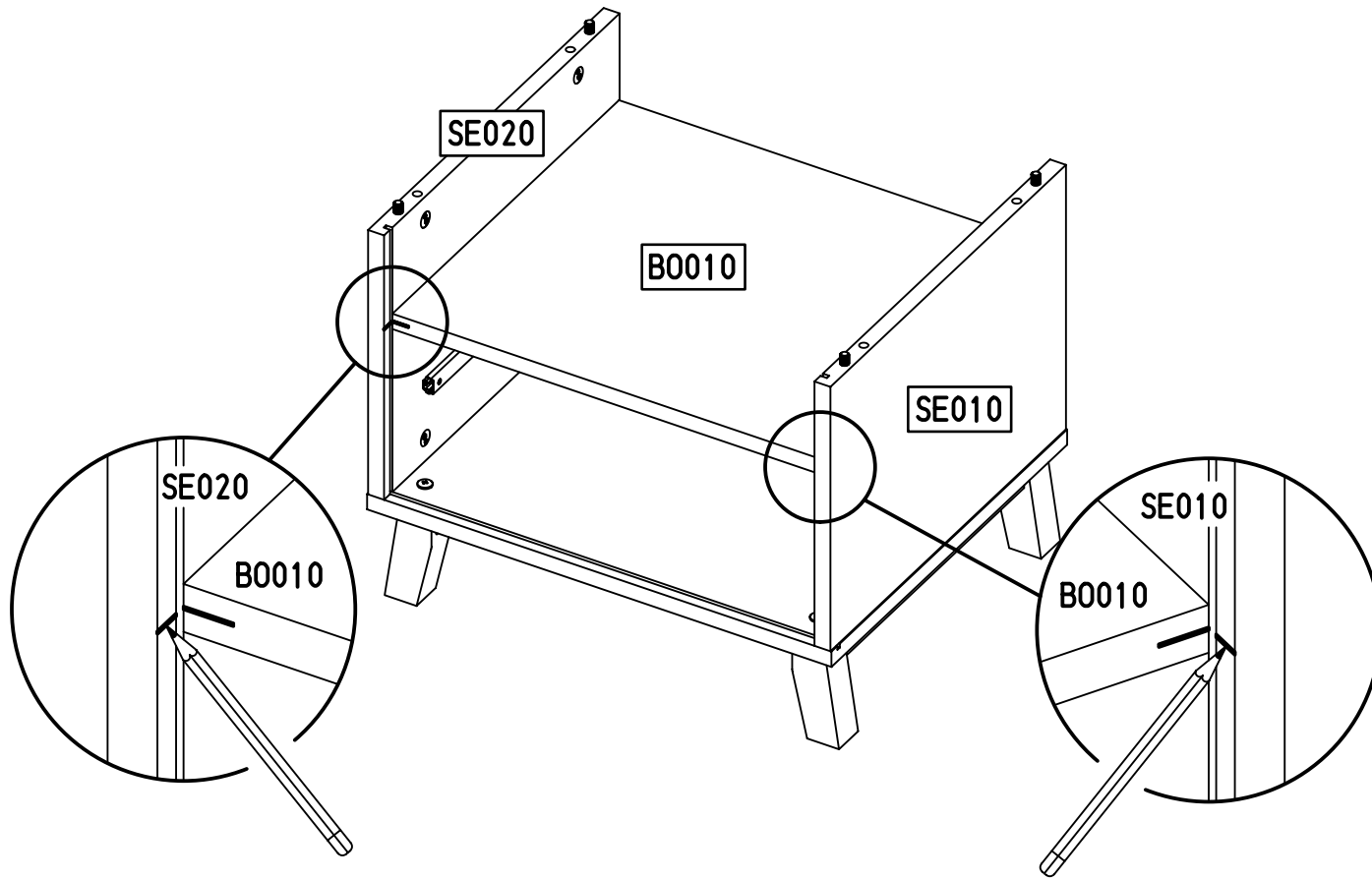
17

SE010

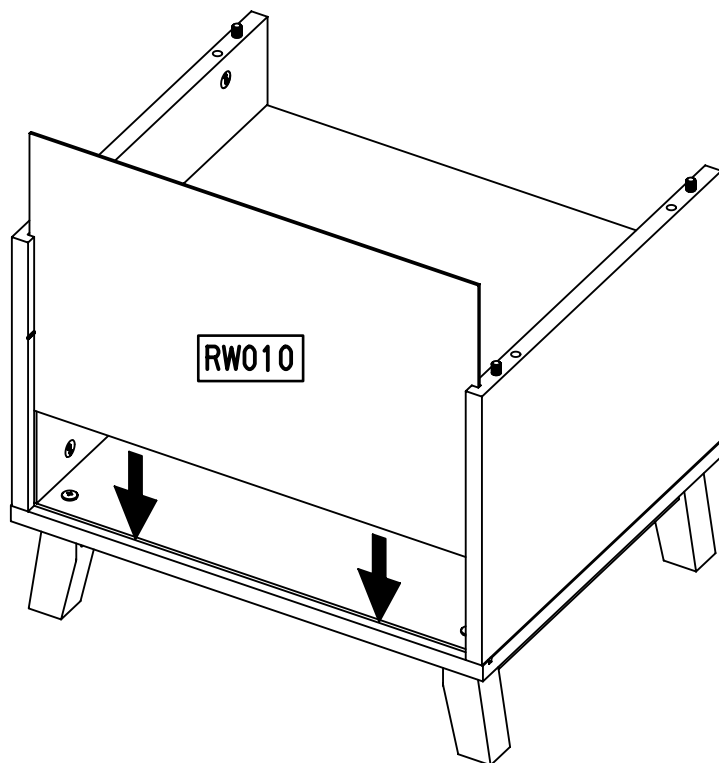


SE010

18



19

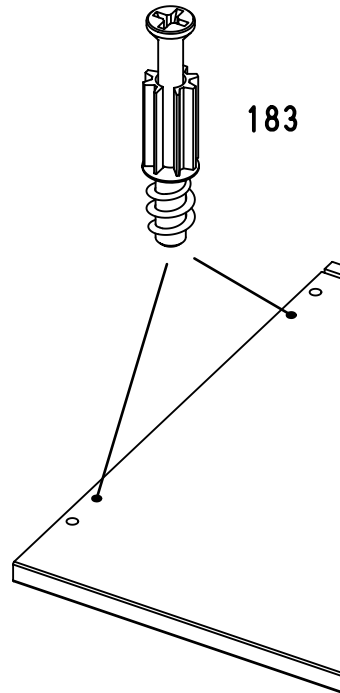


20

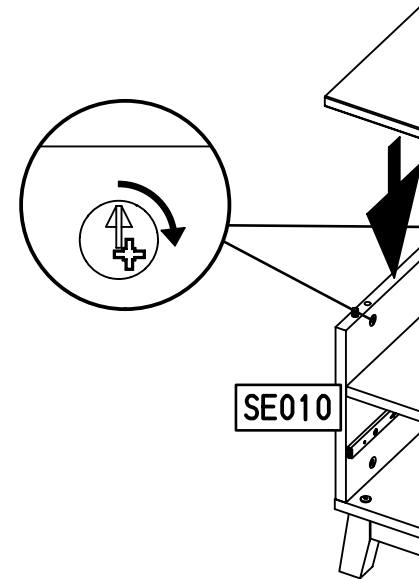
4x 183



23/10



21



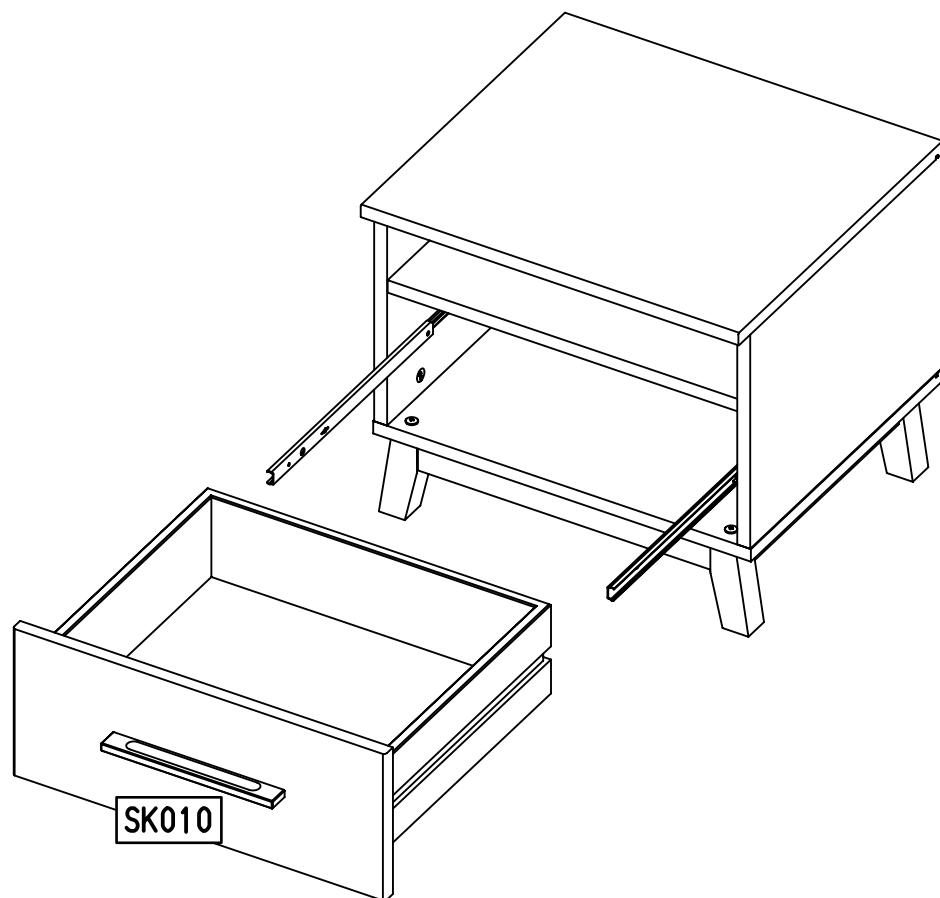
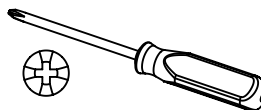


22

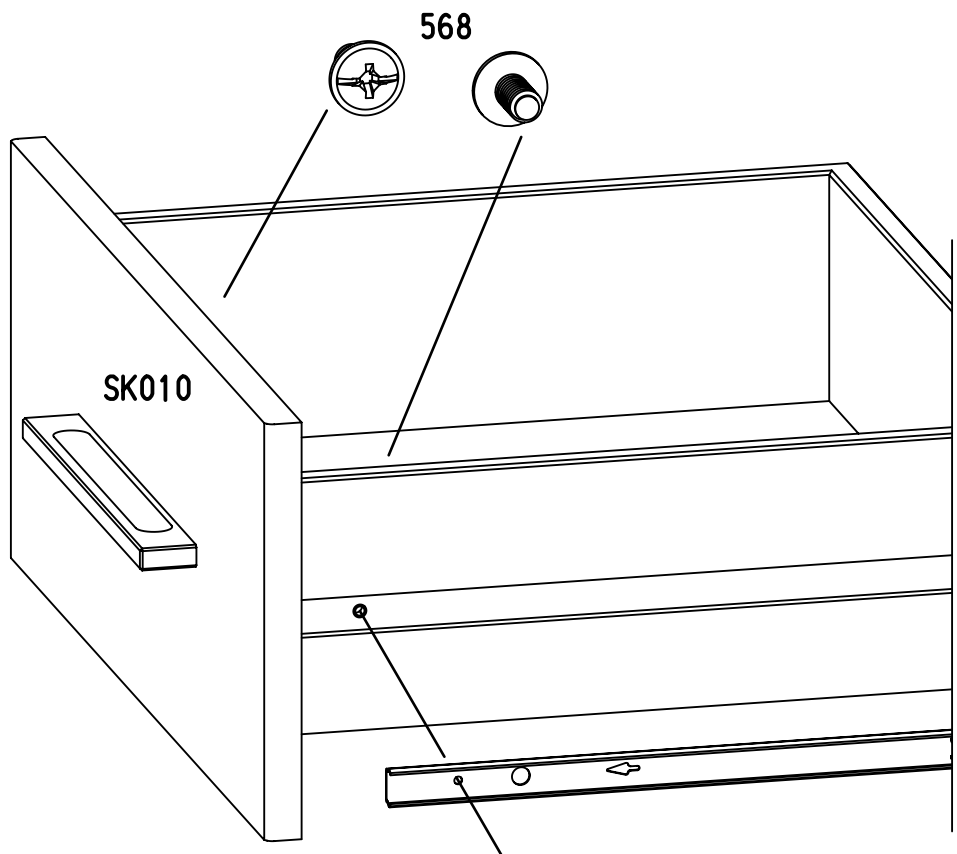
2x 568



M4x9



SK010

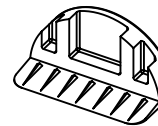


568

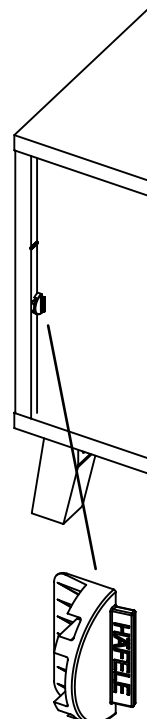
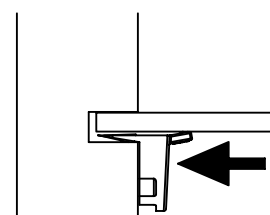
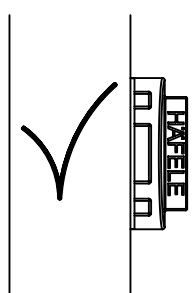
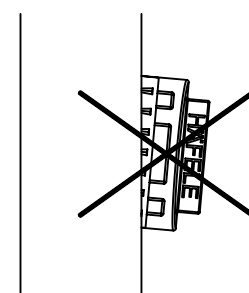
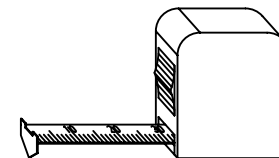
SK010

23

2x 1090



Xmm = Xmm



24

3x

215



3x20

