

GUARANTEE SERVICE FOR USA-CANADA (SEE OVERLEAF FOR AUS)

For more information or questions, guarantee claim and return authorization
FREE CALL 1.800.23.BODUM/WARRANTY@BODUM.COM
GUARANTEE CLAIM CAN NOT BE DONE WITHOUT PROOF OF PURCHASE.

The guarantee certificate must be completed by the seller at the time of purchase.
You must present the guarantee certificate to obtain guarantee services. Should your
BODUM® product require guarantee service, please contact your BODUM® retailer, a
BODUM® store, your country's BODUM® distributor, or visit www.bodum.com.

2 YEARS LIMITED GUARANTEE CERTIFICATE.
CERTIFICAT DE GARANTIE LIMITÉE DE 2 ANS.
CERTIFICADO DE GARANTÍA LIMITADA DE 2 AÑOS.

Proof of purchase
Firmenstempel
Cachet du revendeur
Firmastempel
Sello de la empresa
Timbro del rivenditore
Stempel van de zaak
Firmastämpel
Carimbo da empresa
Ostotodistus
Доказательство покупки

Date
Datum
Date
Dato
Fecha
Data
Datum
Datum
Data
Päivämäärä
Дата

11532 BISTRO Hand Mixer

GUARANTEE CERTIFICATE GUARANTEE: 2 YEARS. Hand mixer
GARANTIEZERTIFIKAT – GARANTIE: 2 JAHRE. Handmixer
CERTIFICAT DE GARANTIE – GARANTIE: 2 ANS. Mixer à main
GARANTIBEVIS – GARANTI: 2 ÅR. Hånd mixer
CERTIFICADO DE GARANTIA – GARANTÍA: 2 AÑOS. Batidora de mano
CERTIFICATO DI GARANZIA – GARANZIA: 2 ANNI. Mixer a mano
GARANTIECERTIFIKAAT – GARANTIE: 2 JAAR. Handmixer
GARANTIBEVIS – GARANTI: 2 ÅRS. Manuell elvisp
CERTIFICADO DE GARANTIA – GARANTIA: 2 ANOS. Batedeira de mão
TAKUU TODISTUS – TAKUU: 2 VUOTTA. Käsisekoitin
ГАРАНТИЙНЫЙ СЕРТИФИКАТ – ГАРАНТИЯ: 2 ГОДА. Ручной миксер

bodum®

www.bodum.com

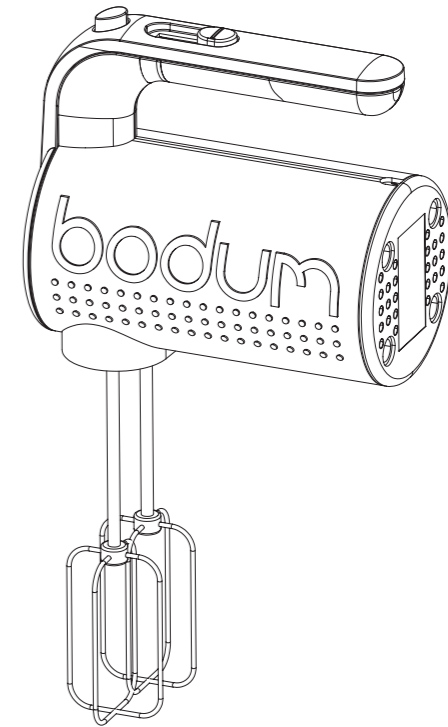
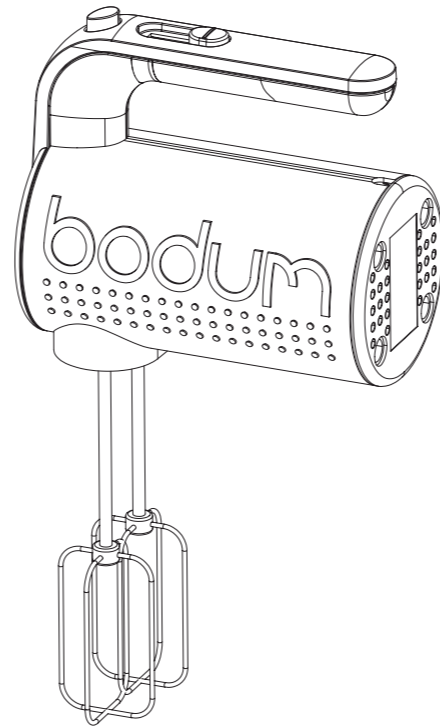
VI.20180420

11532 BODUM® is a registered trademark of Pi-Design AG, Switzerland.

bodum®

11532 BISTRO

Hand Mixer



Welcome to BODUM®

Congratulations! You are now the proud owner of the BODUM® BISTRO Hand Mixer

Please read these instructions carefully before using.

ENGLISH

Bitte lesen Sie diese Hinweise sorgfältig vor der Benutzung.

DEUTSCH

Veillez lire attentivement ces instructions avant l'utilisation.

FRANÇAIS

Læs venligst disse instruktioner nøje før brug.

DANSK

Lea cuidadosamente estas instrucciones antes de utilizar el producto.

ESPAÑOL

Leggere attentamente le presenti istruzioni prima dell'uso del prodotto.

ITALIANO

Lees, voordat u het apparaat in gebruik neemt, deze gebruiksaanwijzing zorgvuldig door.

NEDERLANDS

Läs dessa anvisningar noggrant innan du använder kaffebruggaren.

SVENSKA

Por favor, leia cuidadosamente estas instruções antes de utilizar.

PORTUGUÊS

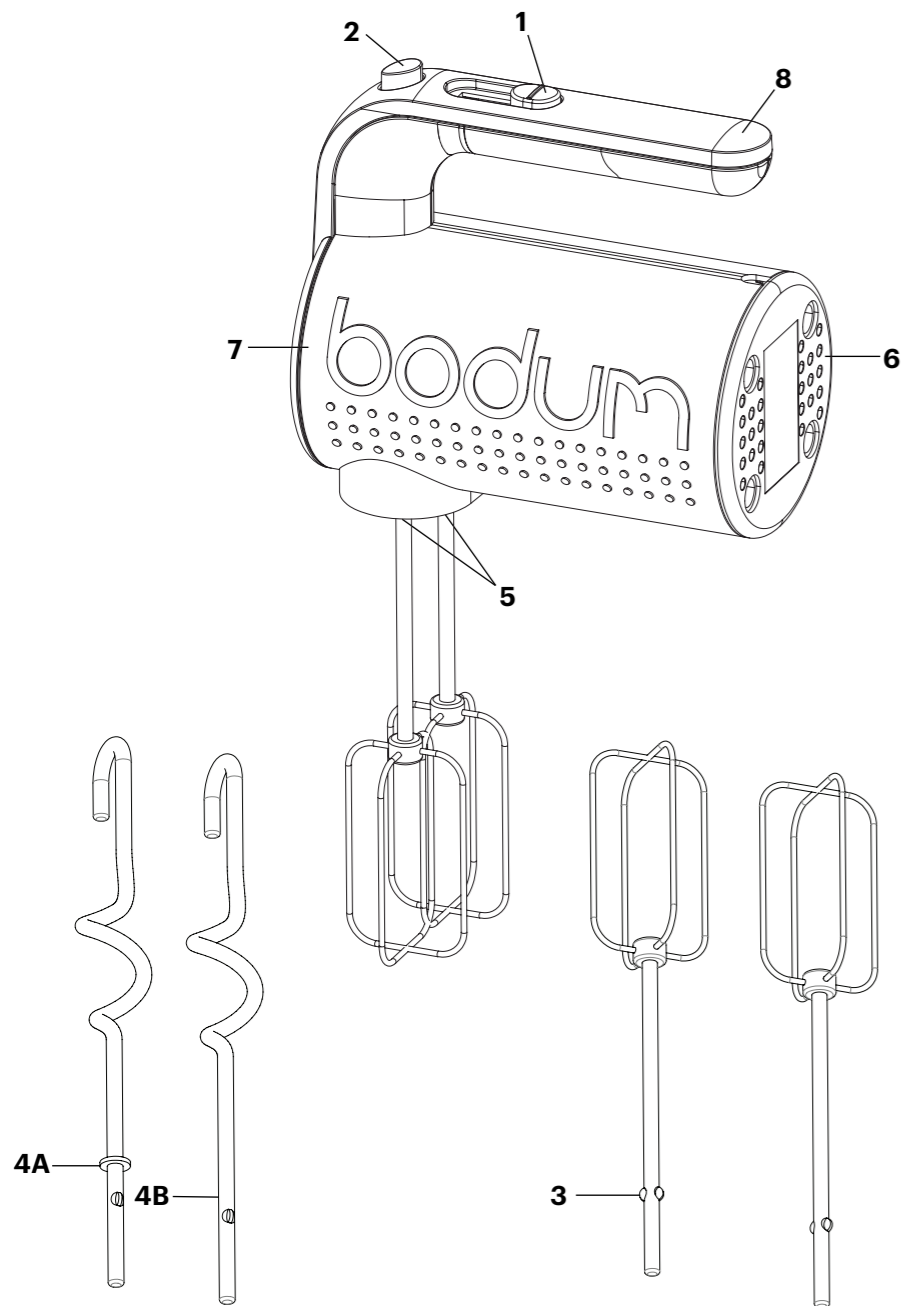
Lue nämä ohjeet huolellisesti ennen käyttöä.

SUOMI

Пожалуйста, внимательно прочитайте это руководство перед использованием.

РУССКИЙ

Hand mixer	Instructions for use	ENGLISH
Handmixer	Gebrauchsanweisung	DEUTSCH
Mixer à main	Mode d'emploi	FRANÇAIS
Hånd mixer	Brugsanvisning	DANSK
Batidora de mano	Instrucciones de uso	ESPAÑOL
Mixer a mano	Istruzioni per l'uso	ITALIANO
Handmixer	Gebruiksaanwijzing	NEDERLANDS
Manuell elvisp	Bruksanvisning	SVENSKA
Batedeira de mão	Manual de instruções	PORTUGUÊS
Käsisekoitin	Käyttöohje	SUOMI
Ручной миксер	Руководство По Эксплуатации	РУССКИЙ



EN COMPONENTS OF THE HAND MIXER

- 1 Speed control
- 2 Unlocking button for attachments
- 3 Attachment whisks (2 each)
- 4a Attachment kneading hook left (1 each)
- 4b Attachment kneading hook right (1 each)
- 5 Insertion stand for attachments
- 6 Stand
- 7 Motor housing
- 8 Handle

DA LISTE OVER HÅNDMIXERENS BESTANDDELE

- 1 Hastighedskontrol
- 2 Oplåsingsknap for ekstra bestanddele
- 3 Piskeris (2 styk)
- 4a Dejkrog venstre krog (1styk)
- 4b Dejkrog højre krog (1styk)
- 5 Indsættelsesstativ for bestanddele
- 6 Støtbeben
- 7 Motorenhed
- 8 Håndtag

NL ONDERDELEN VAN DE HANDMIXER

- 1 Snelheidsregelaar
- 2 Ontgrendelingsknap voor hulpstukken
- 3 Gardehulpstukken (2 stuks)
- 4a Linker kneedhaak hulpstuk (1 stuk)
- 4b Rechter kneedhaak hulpstuk (1 stuk)
- 5 Inbrenggaten voor hulpstukken
- 6 Houder
- 7 Motorbehuizing
- 8 Handvat

FI KÄSISEKOITTIMEN OSALUETTELO

- 1 Nopeuden hallinta
- 2 Vapautuspainike liitteille
- 3 Vatkain (2 kappaletta)
- 4a Vaivauskoukkuliite vasen (1 jokainen)
- 4b Vaivauskoukkuliite oikea (1 jokainen)
- 5 Liitosalusta liitteille
- 6 Alusta
- 7 Moottorin kotelo
- 8 Kahva

DE KOMPONENTENLISTE DES HANDMIXERS

- 1 Geschwindigkeitssteuerung
- 2 Entriegelungsknopf für Zubehöre
- 3 Zubehör: Schneebesen (2 Stück)
- 4a Zubehör: Knehtaken links (1 Stück)
- 4b Zubehör: Knehtaken rechts (1 Stück)
- 5 Zubehörhalter
- 6 Ständer
- 7 Motorgehäuse
- 8 Griff

ES PARTES DE LA BATIDORA DE MANO

- 1 Control de velocidad
- 2 Botón de desbloqueo de accesorios
- 3 Accesorio batidor (2 de cada uno)
- 4a Accesorio amasador izquierdo (1 de cada uno)
- 4b Accesorio amasador derecho (1 de cada uno)
- 5 Hueco de para accesorios
- 6 Posadera
- 7 Carcasa del motor
- 8 Agarradera

SV LISTA ÖVER ELVISPENS DELAR

- 1 Hastighetsreglering
- 2 Knapp för upplåsning av tillbehör
- 3 Tillbehör vispar (2 av varje)
- 4a Tillbehör degkrok vänster (1 av varje)
- 4b Tillbehör degkrok höger (1 av varje)
- 5 Införing av tillbehör
- 6 Stativ
- 7 Motordel
- 8 Handtag

RU СПИСОК ДЕТАЛЕЙ РУЧНОГО МИКСЕРА

- 1 Регулятор скорости
- 2 Кнопка разблокировки для насадок
- 3 Насадки для взбивания (по 2)
- 4a Левый крюк для замешивания теста (по 1)
- 4b Правый крюк для замешивания теста (по 1)
- 5 Отверстия для установки насадок
- 6 Стойка
- 7 Корпус двигателя
- 8 Ручка

FR LISTE DES PIÈCES DU MIXEUR À MAIN

- 1 Régulateur de vitesse
- 2 Touche de verrouillage pour les accessoires
- 3 Accessoire mélangeurs (2 pièces)
- 4a Accessoire crochets à pétrir de gauche (1 pièce)
- 4b Accessoire crochets à pétrir de droite (1 pièce)
- 5 Dispositif d'enfichage pour accessoires
- 6 Surface de dépose
- 7 Boîtier moteur
- 8 Poignée

IT COMPONENTI DEL MIXER A MANO

- 1 Regolatore di velocità
- 2 Pulsante di sbloccaggio per accessori
- 3 Miscelatori (2 pezzi)
- 4a Uncino per impastare sinistra (1 pezzo)
- 4b Uncino per impastare destra (1 pezzo)
- 5 Dispositivo d'innesto per accessori
- 6 Appoggio
- 7 Alloggiamento del motore
- 8 Impugnatura

PT PARTES DA BATEDEIRA

- 1 Selector de velocidade
- 2 Botão de desbloqueio dos acessórios
- 3 Varinhas de bater (2 peças)
- 4a Varinha de amassar esquerda (1 peça)
- 4b Varinha de amassar direita (1 peça)
- 5 Dispositivo de inserção dos acessórios
- 6 Suporte
- 7 Caixa motor
- 8 Punho

BODUM AUSTRALIA WARRANTY

We are pleased to say that the return rate on BODUM® product is very low; however, should you need to process a returned BODUM® product under warranty, please follow the simple procedure below. We have tried to make it as simple as possible for both yourself and the end consumer.

BODUM AUSTRALIA WARRANTY PROCEDURE

Our goods come with guarantees that cannot be excluded under the Australian Consumer Law. Consumers are entitled to a replacement or refund for a major failure and for compensation for any other reasonably foreseeable loss or damage. Consumers are also entitled to have the goods repaired or replaced if the goods fail to be of acceptable quality and the failure does not amount to a major failure.

The benefits to BODUM® customers given by the warranty set out below are in addition to other rights and remedies under a law in relation to the BODUM® product to which the warranty relates.

To process a faulty BODUM® product you will require a Return Authorisation (RA) number. Returned items without a RA number are not able to be processed for credit or replacement. Contact BODUM® on (02) 9692 0582 for a RA number.

Faulty product does not include items which have incurred wear and tear through general home use, misuse or commercial use. Warranty does not include accidental glass breakages.

Warranty period:

e-BODUM®: 2 year replacement warranty from the date of purchase for electrical appliances where a defect appears and BODUM® is notified within 2 years from date of purchase.

Proof of purchase: any claim from the end consumer must be validated with a copy of proof of purchase; without providing a proof of purchase BODUM® Australia will not be able to process the claim. Proof of purchase includes original purchase receipt/docket or credit card statement showing the purchase amount.

Replacement or credit: once claim is validated, if possible please replace the faulty item from stock on hand. If a customer requires a replacement for an item which you don't have on hand, please have the item added to your next order.

Return or work order: to ensure that the return process is as easy as possible for both you and the end consumer, we don't do work orders or product repairs.

Once you have received a RA number and sighted the product please safely dispose of the faulty item. We don't require the faulty product to be sent back to us. However, if you come across an unusual fault which you think we need to be aware of please send it back to BODUM® Australia Head Office.

BODUM® (Australia) PTY LTD
Suite 39, 26-32 Pirrama Rd, Pyrmont NSW 2009
T. +61 2 9692 0582 F. +61 2 9692 0586
office.australia@bodum.com

IMPORTANT SAFETY WARNINGS

When using electrical appliances, basic safety precautions should always be followed including the following:

- Read all instructions.
- Please read all information thoroughly before you use your device for the first time. Any non-compliance with the instructions and safety warnings may result in hazardous situations.
- Misuse this appliance other than its intended use shall cause potential injury.
- Once you have unpacked the device, check it for damages. Do not use it if you are not certain that everything is in perfect order. In this case, please contact your retailer.
- Store all packaging materials (box, plastic bags, etc.) outside of children's reach (risk of choking or injury).
- This hand mixer is intended for household use only. Do not use it out-of-doors.
- Do not set up the device on or beside a turned on gas or electrical range or into a preheated oven.
- The manufacturer shall not assume any liability for damages or injuries resulting from improper use or uses not in compliance with these instructions. Use this device only for its Intended purpose.
- Do not allow children to play with this device.

- This appliance shall not be used by children. Keep the appliance and its cord out of reach of children.
- Appliances can be used by persons with reduced physical, sensory or mental capabilities or lack of experience and knowledge if they have been given supervision or instruction concerning use of the appliance in a safe way and if they understand the hazards involved.
- Always disconnect the appliance from the supply if it is left unattended.
- Never touch the device with moist or wet hands. Also, do not touch the power cord or plug of the device while your hands are moist or wet.
- Do not use any accessories that have not been recommended by the device manufacturer. Improper combinations can lead to fire, electrical shock or injuries.
- Never immerse the motor housing into water. Always remember: your hand mixer is an electrical device.
- To clean the device, always use just a moist cleaning cloth. Remove beaters from mixer before washing.
- Push the speed control switch into position «0» and unplug the device to turn it off.
- Pull the plug to remove it from the electrical outlet, not the power cord.
- Make sure that the power cord does not hang down from the table or work surface and also prevent it from coming into contact with hot surfaces, including the stove.
- Unplug the hand mixer whenever it is not in use, if you want to mount or remove accessories or clean the device.
- Under no circumstances start up an electrical device if its power cord or plug are damaged, after it has malfunctioned or if the device has been damaged in any other way. In such cases, always bring the device to the nearest authorized service center for inspection, repair or adjustments.

- Never attempt to replace the power cord of your device since special tools are required to do this properly. Have such repairs and power cord replacement work performed exclusively by a manufacturer authorized service center in order to warrant that your device remains safe to use.
- Never immerse power cords, motor housings and plugs into water or other liquids, as this could cause fires, electrical shock or injuries.
- **Caution:** To prevent the risk of the safety shut-off reactivating the device, the device must not be connected to power via an external switching device, such as a timer or connected with a power circuit that is regularly turned on or off by the power company.
- The device must not be connected to mains while it is being cleaned.
- Do not touch any rotating parts.
- Keep clothing, jewelry, fingers, hair and utensils away from rotating parts to prevent severe injuries to persons and damages to the unit.
- When blending liquids and in particular hot liquids, use a high container or reduce the amount of liquid you are mixing to prevent the risk of splashing.
- Make sure that the speed setting is in the 0-setting and that the device is unplugged before you clean it or turn it off.
- Never allow the device to run unsupervised.
- Switch off the appliance and disconnect from supply before changing accessories or approaching parts that move in use.
- **SAVE THESE INSTRUCTIONS.**

Retain these user instructions for future reference.

HOUSEHOLD USE ONLY

INSTALLATION

Always place the device on a stable, level surface. It must neither be hot nor located near a heat source. The surface must be dry. Always store the device and the power cord out of children's reach.

Make sure that the voltage information on the type label of the device is congruent with the mains voltage in your region. The device must only be connected to a properly grounded wall socket with an output of at least 6A (if you are using a rating controlled plug (RCD), please ask your electrician for advice). While the device is in use, the power socket must be within easy reach in the event of an emergency. The manufacturer shall not assume any liability for accidents resulting from deficient grounding or the absence of grounding.

If the wall socket is not suitable for the plug of your device, please have it replaced by a certified electrician.

SPECIAL INFORMATION

POWER CORD

Subject to compliance with the applicable precautions, it is possible to use an extension cord.

If you are using an extension cord, the electrical nominal values of the extension cord must at a minimum be equivalent with those of the device. If the device is grounded, the extension cord must be a three-prong grounded cord. The longer cable must be laid in such a manner that it does not extend beyond the edge of a table or work surface. Also make sure that children or other individuals will not be able to pull on it or stumble over it.

POLARIZATION USA - CAN

This appliance has a polarized plug (one blade is wider than the other). To reduce the risk of electric shock, this plug will fit in a polarized outlet only one way. If the plug does not fit fully in the outlet, reverse the plug. If it still does not fit, contact a qualified electrician. Do not modify the plug in any way.

FOR USA AND CANADA MARKET ONLY

If children or individuals who are not familiar with the device should use it, strict supervision is mandatory.

BEFORE USING THE HAND MIXER

Clean the hand mixer before its first use. See Chapter "Maintenance and care".

ATTACHMENTS

Your hand mixer comes with two different attachments.

BEATERS (3)

The beaters gives your processing mass a finer texture and prevents the development of clumps. It can be used to prepare puddings, mayonnaise, to beat egg whites or whipping cream.

DOUGH HOOKS (4a, 4b)

The dough hooks are particularly helpful if you are making different types of dough - such as for bread or with yeast.

SPEED SETTINGS

Please choose your speed settings based on the following instructions:

Tip: The consistence of any mass may change any time you add ingredients. Consequently, you should either use a higher or lower speed setting.

SPEED 0

The device is turned off in this position. Always place the device in this setting to clean it or store it and of course, unplug it.

SPEED 1

For dough kneading and mixing.

SPEED 2

For sauces and pudding.

SPEED 3

For the preparation of various baking blends.

SPEED 4

To beat butter and sugar, angel food cake dough, cake mixes and sugar icing.

SPEED 5

To beat light and airy masses such as mashed potatoes or eggs.

HOW TO USE YOUR HAND MIXER**MOUNTING ATTACHMENTS**

Before you mount your attachments please make sure that the speed setting (1) is in the 0-position and that your device is unplugged.

Push the desired attachment(s) into the insertion holes (5) until they click into place.

If you are using the kneading hooks (4a, 4b) make sure you insert them into the proper opening (5). The left kneading hook (4a) will only fit into the left hole (5) with the visible step in the hole.

The two whisks (3) will fit into both holes (5).

CONNECTING THE POWER

Before you connect the device to power supply, the attachments must first be installed.

Before you connect the hand mixer to the power, make sure that the speed setting (1) is securely in the 0-position.

MIXING PROCESS

Important: Once the mixer has run for 4 continuous minutes, it must be turned off for 2 minutes to prevent the motor from overheating.

Place the ingredients into a mixing bowl. If you are using bowls made of glass or china, make sure that the attachments do not come into contact with the sides and bottom of the bowl.

Immerse the mixer attachments into the mass and choose the desired speed setting (1). See Chapter "Speed settings".

To prevent splashing, make sure that the attachments always remain immersed in the mass while mixing.

Upon completion of the mixing process, turn the speed control (1) to 0 and unplug the device.

If you do not need to use the mixer any long, place it on the stand (6) with its four slip-proof silicone feet.

REMOVING THE ATTACHMENTS

Do not remove the mixer attachments until you have turned the speed control (1) to 0 and have unplugged the device.

Press the unlock button (2) to remove the attachments. Make sure that you hold the attachments by the shaft.

Note: In the interest of your safety, the attachments can be unlocked only if you have turned the speed control (1) to 0.

MAINTENANCE AND CARE

Before you clean the hand mixer, unplug it.

Do not use any harsh cleaning substances.

CLEANING OF ATTACHMENTS

You can remove any excess food from the attachments with a spatula made of rubber or plastic material.

You can clean the attachments by hand or in the dishwasher.

Any repairs have to be performed by an authorized service center.

CLEANING THE HOUSING

Use only a moist cloth to clean any parts of the housing of the mixer.

Never immerse the motor housing, mains plug and power cord into water. Remember, the mixer is an electrical device.

STORAGE

Remove the attachments every time you are done using the hand mixer.

While it is not in use, place the mixer on the stand (6).

Note: Always disconnect the hand mixer from mains while it is not in use.

TECHNICAL SPECIFICATIONS

TECHNICAL DATA

Nominal voltage EUROPE	220-240V- 50-60Hz
Nominal voltage USA	120V- 60Hz
Nominal power EUROPE	185 Watts
Nominal power USA	160 Watts
Cord length	approx. 160cm / 63inches (USA) approx. 120cm / 47inches (EU)

MANUFACTURER GUARANTEE FOR THE USA & CAN, THE EU AND CH.

Guarantee: BODUM® AG, Switzerland, guarantees the BISTRO Hand Mixer for a period of two years from the date of original purchase against faulty materials and malfunctions that can be traced back to defects in design or manufacturing. Repairs are carried out free of charge if all guarantee conditions are met. Refunds are not available.

Guarantor: BODUM® (Schweiz) AG, Kantonsstrasse 100, Postfach 463, 6234 Triengen.

Guarantee conditions: The guarantee certificate must be completed by the seller at the time of purchase. You must present the guarantee certificate to obtain guarantee services. Should your BODUM® product require guarantee service, please contact your BODUM® retailer, a BODUM® store, your country's BODUM® distributor, or visit www.bodum.com.

BODUM® will not provide warranty for damage resulting from inappropriate use, improper handling, normal wear and tear, inadequate or incorrect maintenance or care, incorrect operation or use of the appliance by unauthorized persons.

This Manufacturer Guarantee does not affect your statutory rights under applicable national laws in force, nor your right against the dealer arising from their sales/purchase contract.

ENVIRONMENTALLY ACCEPTABLE DISPOSAL

This marking indicates that this product should not be disposed with other household wastes throughout the EU. To prevent possible harm to the environment or human health from uncontrolled waste disposal, recycle it responsibly to promote the sustainable reuse of material resources. To return your used device, please use the return and collection systems or contact the retailer where the product was purchased. They can take this product for environmentally safe recycling.

DEUTSCH

Herzlichen Glückwunsch! Sie sind nun stolzer Besitzer eines elektrischen BISTRO-Handmixer von BODUM®. Lesen Sie diese Anleitung sorgfältig, bevor Sie den Stabmixer mit Zubehör verwenden.

DE

WICHTIGE SICHERHEITSHINWEISE

Bei der Verwendung von Elektrogeräten sollten immer grundlegende Vorsichtsmaßnahmen beachtet werden, einschließlich der folgenden.

- Bitte lesen Sie diese Hinweise sorgfältig vor der Benutzung.
- Bitte lesen Sie sich alle Informationen sorgfältig durch, bevor Sie Ihr Gerät zum ersten Mal verwenden. Jede Nichteinhaltung der Anweisungen und Warnhinweise kann zu gefährlichen Situationen führen.
- Missbrauch wird dazu führen, um mögliche Verletzungen.
- Wenn Sie das Gerät ausgepackt haben, überprüfen Sie es auf Beschädigungen. Verwenden Sie es nicht, wenn Sie sich nicht sicher sind, dass alles in bester Ordnung ist. In diesem Fall wenden Sie sich bitte an Ihren Händler.
- Bewahren Sie alle Verpackungsmaterialien (Karton, Plastiktüten, usw.) außerhalb der Reichweite von Kindern (Erstickungs- oder Verletzungsrisiko) auf.
- Dieser Handmixer ist nur für den Inneneinsatz gedacht. Verwenden Sie ihn nicht außen.
- Stellen Sie das Gerät nicht auf oder neben eine aufgedrehte Gasleitung oder elektrische Strahlungsquelle oder in einen vorgeheizten Herd.
- Der Hersteller übernimmt keine Haftung für Schäden oder Verletzungen, die aus der unsachgemäßen Nutzung oder aus einer Verwendung entstehen, die nicht in Übereinstimmung

mit diesen Anweisungen ist. Verwenden Sie dieses Gerät nur für seinen vorgesehenen Zweck.

- Lassen Sie Kinder nicht mit dem Gerät spielen.
- Dieses Gerät darf nicht von Kindern benutzt werden. Halten Sie das Gerät und seine Kabel außerhalb der Reichweite von Kindern.
- Dieses Gerät kann von Personen mit eingeschränkten physischen, sensorischen oder geistigen Fähigkeiten oder mangelnder Erfahrung und mit fehlendem Wissen benutzt werden, wenn sie beaufsichtigt oder wenn ihnen Anweisungen betreffend der sicheren Verwendung des Geräts gegeben werden und wenn sie die mit dem Gerät verbundenen Gefahren verstehen.
- Trennen Sie das Gerät vom Stromnetz, wenn es unbeaufsichtigt ist.
- Berühren Sie das Gerät niemals mit feuchten oder nassen Händen. Berühren Sie auch das Netzkabel oder der Stecker des Geräts nicht, wenn Sie feuchte oder nasse Hände haben.
- Verwenden Sie keine Zubehör- oder Anbauteile, die nicht vom Gerätehersteller empfohlen worden sind. Ungeeignete Kombinationen können zu Feuer, Stromschlag oder Verletzungen führen.
- Tauchen Sie das Motorgehäuse niemals in Wasser ein. Denken Sie immer daran: Ihr Handmixer ist ein elektrisches Gerät.
- Verwenden Sie zum Reinigen des Geräts immer ein feuchtes Reinigungstuch. Entfernen Sie vor dem Reinigen die Rührstäbe aus dem Mischer.
- Schieben Sie den Schalter in die "0"-Stellung und ziehen Sie den Netzstecker, um das Gerät auszuschalten.
- Ziehen Sie am Stecker, nicht am Stromkabel, um den Netzstecker zu ziehen.

- Stellen Sie sicher, dass das Netzkabel nicht vom Tisch oder von der Arbeitsfläche herunterhängt und vermeiden Sie auch den Kontakt mit heißen Oberflächen wie Öfen.
- Ziehen Sie den Netzstecker des Handmixers, wenn er nicht in Gebrauch ist, wenn Sie Zubehör anbringen oder entfernen möchten oder vor der Reinigung des Geräts.
- Schalten Sie unter keinen Umständen ein elektrisches Gerät ein, wenn dessen Netzkabel oder Stecker beschädigt sind, nachdem sie eine Fehlfunktion gezeigt haben oder wenn das Gerät in irgendeiner sonstiger Weise beschädigt worden ist. In solchen Fällen bringen Sie das Gerät immer zum nächsten autorisierten Service-Center zur Inspektion, Reparatur oder Anpassungen.
- Versuchen Sie niemals, das Netzkabel Ihres Geräts zu ersetzen, da für die ordnungsgemäße Durchführung einer solchen Arbeit spezielle Werkzeuge erforderlich sind. Lassen Sie derartige Reparaturarbeiten und den Austausch des Netzkabels ausschließlich von einem durch den Hersteller autorisierten Service-Center durchführen, um sicherzustellen, dass die Verwendung Ihres Geräts auch weiterhin sicher ist.
- Tauchen Sie Netzkabel, Motorgehäuse und Stecker niemals in Wasser oder in andere Flüssigkeiten, da dies zu Bränden, elektrischen Schlägen oder Verletzungen führen kann.
- Achtung: Um das Risiko zu vermeiden, dass die Sicherheitsabschaltung das Gerät wieder einschaltet, darf das Gerät nicht über ein externes Schaltgerät wie zum Beispiel einen Timer an das Stromnetz angeschlossen werden. Das Verbot gilt auch für Stromkreise, die regelmäßig vom Energieversorgungsunternehmen ein- oder ausgeschaltet werden.
- Das Gerät darf nicht an das Stromnetz angeschlossen werden, während es gereinigt wird.
- Berühren Sie keine rotierenden Teile.

- Halten Sie Kleidung, Schmuck, Finger, Haare und Utensilien von rotierenden Teilen fern um schwere Verletzungen von Personen und Schäden am Gerät zu vermeiden.
- Beim Mixen von Flüssigkeiten und insbesondere von heißen Flüssigkeiten verwenden Sie einen hohen Behälter oder Verringern Sie die Menge der Flüssigkeit, die Sie mixen, um Spritzen zu vermeiden.
- Stellen Sie sicher, dass Sie die Geschwindigkeit auf 0 steht und das Gerät von Netz getrennt ist, bevor Sie es reinigen oder ausschalten.
- Lassen Sie das Gerät niemals unbeaufsichtigt laufen.
- Vor dem Auswechseln von Zubehör oder Zusatzteilen, die im Betrieb bewegt werden, muss das Gerät ausgeschaltet und vom Netz getrennt werden.

• BEWAHREN SIE DIESE GEBRAUCHSANWEISUNG AUF.

Bewahren Sie diese Bedienungsanleitung auf, um sie zu einem späteren Zeitpunkt lesen zu können.

NUR FÜR DEN GEBRAUCH IN PRIVATEN HAUSHALTEN

INSTALLATION

Stellen Sie das Gerät auf eine stabile, ebene Oberfläche. Sie darf weder heiß noch sein noch sich in der Nähe einer Wärmequelle befinden. Der Untergrund muss trocken sein. Bewahren Sie das Gerät und das Netzkabel außerhalb der Reichweite von Kindern auf.

Vergewissern Sie sich, dass die Spannungsangaben auf dem Typenschild des Gerätes deckungsgleich mit der Netzspannung in Ihrer Region ist. Das Gerät darf nur an eine ordnungsgemäß geerdete Steckdose mit einer Leistung von mindestens 6A angeschlossen werden (wenn Sie einen leistungsgesteuerten Stecker (RCD) haben, ziehen Sie bitte Ihren Elektriker zu Rate). Wenn das Gerät in Betrieb ist, muss die Steckdose im Falle eines Notfalls leicht zugänglich sein. Der Hersteller übernimmt keine Haftung für Unfälle durch mangelhafte Erdung oder das Fehlen der Erdung.

Wenn die Steckdose nicht für den Stecker des Geräts geeignet ist, lassen Sie sie von einem zertifizierten Elektriker ausgetauscht.

BESONDERE ANWEISUNGEN

STROMKABEL

Vorbehaltlich der Einhaltung der geltenden Vorsichtsmaßnahmen ist es möglich, ein Verlängerungskabel zu verwenden.

Wenn Sie ein Verlängerungskabel verwenden, müssen die elektrischen Nennwerte des Verlängerungskabels mindestens gleichwertig mit denen des Gerätes sein. Wenn das Gerät geerdet ist, muss das Verlängerungskabel ein geerdetes Drei-Phasen-Kabel sein. Das längere Kabel muss so verlegt werden, dass es nicht über die Kante eines Tisches der Arbeitsfläche herausragt. Stellen Sie außerdem sicher, dass Kinder oder andere Personen nicht in der Lage sind, an ihm zu ziehen oder darüber zu stolpern.

BEVOR SIE DEN HANDMIXER VERWENDEN

Reinigen Sie den Handmixer vor der ersten Verwendung. Siehe Kapitel "Wartung und Pflege".

ZUBEHÖRE

Ihr Handmixer wird mit zwei verschiedenen Zubehören geliefert.

SCHNEEBESEN (3)

Der Schneebesen gibt Ihrer zu verarbeitenden Masse eine feinere Textur und vermeidet die Bildung von Klümpchen. Sie können zur Zubereitung von Puddings und Mayonnaise zum Schlagen von Eiweiß oder von Schlagsahne verwendet werden.

KNETHAKEN (4a,4b)

Die Knethaken sind besonders hilfreich, wenn Sie verschiedene Arten von Teigen wie für Brote oder mit Hefe herstellen wollen.

GESCHWINDIGKEITSSTUFE EINSTELLUNGEN

Bitte wählen Sie Ihre Geschwindigkeitseinstellung basierend auf den folgenden Anweisungen:

TIPP: Die Konsistenz kann sich von Zeit zu Zeit verändern, wenn Sie Zutaten hinzufügen. Sie sollten dann folglich eine höhere oder eine niedrigere Geschwindigkeit wählen.

GESCHWINDIGKEITSSTUFE 0

Das Gerät ist in dieser Position ausgeschaltet. Schalten Sie das Gerät in diese Position, wenn Sie es reinigen wollen und ziehen Sie natürlich den Stecker aus der Steckdose.

GESCHWINDIGKEITSSTUFE 1

Zum Kneten von Teig und zum Mixen.

GESCHWINDIGKEITSSTUFE 2

Für Soßen und Pudding.

GESCHWINDIGKEITSSTUFE 3

Zur Zubereitung von verschiedenen Backmischungen.

GESCHWINDIGKEITSSTUFE 4

Zum Schlagen von Butter und Zucker, Angle Cake-Teig, Kuchenbackmischungen und Zuckerguss.

GESCHWINDIGKEITSSTUFE 5

Zum Schlagen leichter und luftiger Massen wie Kartoffelpüree oder Eier.

WIE SIE IHREN HANDMIXER BENUTZEN**ANBRINGEN VON ZUBEHÖREN**

Bevor Sie Ihre Zubehörteile anbringen, überzeugen Sie sich, dass der Geschwindigkeitswahlschalter (1) auf der 0-Position steht, und dass der Netzstecker gezogen ist.

Drücken Sie das (die) gewünschte(n) Zubehörteil(e) in die Einführungslöcher (5), bis sie mit einem Klick einrasten.

Wenn Sie die Knethaken (4a, 4b) verwenden, stellen Sie sicher, dass sie sie in die richtigen Öffnungen einführen (5). Der linke Knethaken (4a) wird nur in das rechte Loch passen (5), mit einem sichtbaren Ansatz im Loch.

Die beiden Schneebesen (3) werden in beide Löcher passen (5).

ANSCHLUSS AN DAS STROMNETZ

Bevor Sie das Gerät an das Stromnetz anschließen, müssen zunächst die Zubehörteile angebracht worden sein.

Bevor Sie den Handmixer an die Steckdose anschließen, stellen Sie sicher, dass der Geschwindigkeitswahlschalter (1) sich sicher in der 0-Position befindet.

MIX-VORGANG

WICHTIG: Wenn der Mixer einmal für 4 Minuten ununterbrochen gelaufen ist, muss er für 2 Minuten abgeschaltet werden, um den Motor vor Überhitzung zu schützen.

Geben Sie die Zutaten in eine Rührschüssel. Wenn Sie Glas- oder Porzellanschüsseln verwenden, stellen Sie sicher, dass die Zubehöre nicht mit den Wänden oder dem Boden der Schüssel in Berührung kommen.

Tauchen Sie die Mixer-Zubehöre in die Masse und wählen Sie die gewünschte Geschwindigkeit (1). Siehe Kapitel "Geschwindigkeitsstufe einstellungen".

Um ein Spritzen zu vermeiden, stellen Sie sicher, dass die Zubehöre beim Mixen immer in die Masse eingetaucht bleiben.

Am Ende des Mix-Vorgangs schalten Sie den Geschwindigkeitswahlschalter (1) auf 0 und ziehen Sie den Netzstecker des Geräts.

Wenn Sie den Mixer für längere Zeit nicht benötigen, stelle Sie ihn in seinen Ständer (6) mit seinen vier rutschsicheren Silikonfüßen.

ENTFERNEN DER ZUBEHÖRTEILE

Entfernen Sie die Zubehörteile des Mixers erst, wenn Sie den Geschwindigkeitswahlschalter (1) auf 0 gestellt und den Netzstecker gezogen haben.

Drücken Sie den Entriegelungsknopf (2) zum Entfernen der Zubehörteile. Stellen Sie sicher, dass Sie die Zubehöre an ihrem Stiel anfassen.

HINWEIS: Im Interesse Ihrer Sicherheit können die Zubehörteile nur entriegelt werden wenn Sie den Geschwindigkeitswahlschalter (1) auf 0 gestellt haben.

WARTUNG UND PFLEGE

Bevor Sie den Handmixer reinigen, ziehen Sie den Netzstecker.

Verwenden Sie keine aggressiven Reinigungsmittel.

REINIGUNG DER ZUBEHÖRTEILE

Sie können etwaige Lebensmittelreste mithilfe eines Gummi- oder Plastikspatels vom Anbauteil entfernen.

Sie können die Zubehörteile per Hand spülen oder in die Spülmaschine geben.

Etwaige Reparaturen müssen durch ein autorisiertes Service Center durchgeführt werden.

REINIGUNG DES GEHÄUSES

Verwenden Sie nur ein feuchtes Tuch, um irgendwelche Teile des Mixergehäuses zu reinigen.

Tauchen Sie das Motorgehäuse, die Stecker und die Stromkabel niemals in Wasser ein. Denken Sie daran, dass der Mixer ein elektrisches Gerät ist.

LAGERUNG

Entfernen Sie die Zubehörteile jedes Mal nach der Benutzung des Handmixers.

Wenn Sie ihn nicht benutzen, stellen Sie den Mixer auf seinen Ständer (6).

ANMERKUNG: Ziehen Sie immer den Netzstecker, wenn Sie den Handmixer nicht benutzen.

TECHNISCHE SPEZIFIKATIONEN

TECHNISCHE DATEN

Nennspannung EUROPA	220-240V- 50-60Hz
Nennspannung USA	120V- 60Hz
Nennleistung EUROPA	185 Watt
Nennleistung USA	160 Watt
Kabellänge	etwa 160 cm (USA) etwa 120cm (EU)

HERSTELLERGARANTIE FÜR DIE USA & KANADA, DIE EU UND DIE SCHWEIZ.

Garantie: Die BODUM® AG, Schweiz, gewährt auf den elektrischen BISTRO Handmixer eine Garantie von zwei Jahren ab dem ursprünglichen Kaufdatum, die sich auf Materialfehler und Funktionsstörungen erstreckt, welche auf Konstruktions- und Fabrikationsfehler zurückzuführen sind. Rückerstattungen sind nicht möglich.

Garantiegeber: BODUM® (Schweiz) AG, Kantonsstrasse 100, Postfach 463, 6234 Triengen

Garantiebedingungen: Das Garantiezertifikat (letzte Seite dieser Gebrauchsanweisung) muss vom Verkäufer beim Kauf ausgefüllt werden. Bei Inanspruchnahme der Garantie ist das Garantiezertifikat vorzulegen. Hierzu wenden Sie sich bitte an Ihren Bodum Händler, ein Bodum Verkaufsgeschäft, den für Ihr Land zuständigen Vertriebspartner oder kontaktieren Sie uns unter www.bodum.com

Diese Garantie gilt nicht, wenn der Defekt eines Geräts auf unsachgemäßer Behandlung, üblichem Verschleiß, unsachgemäßer Pflege und/oder Nichtbeachtung der Gebrauchsanweisung beruht.

Ihnen stehen neben den Rechten aus der Garantie die gesetzlichen Rechte zu. Insbesondere werden die gesetzlichen Rechte des Verbrauchers, die ihm gegenüber seinem Vertragspartner zustehen, nicht eingeschränkt.

UMWELTFREUNDLICHE ENTSORGUNG



Alle Elektrogeräte dürfen nicht mehr zusammen mit dem Restmüll entsorgt werden, sondern müssen getrennt erfasst werden. Die Abgabe bei kommunalen Sammelstellen durch Privatpersonen ist kostenfrei. Die Besitzer von Altgeräten sind verpflichtet, die Geräte zu den Sammelstellen zu bringen oder bei einer entsprechenden Sammlung abzugeben. Mit diesem kleinen persönlichen Aufwand -tragen Sie weiterhin dazu bei, dass wertvolle Rohstoffe recycelt und Schadstoffe gezielt behandelt werden können.



V = Volt W = Watt
Hz = Hertz ~ = Wechselstrom



Das ausgediente Gerät zu einer autorisierten Entsorgungsstelle bringen. (WEEE Direktive)



Geprüfte Sicherheit

IMPORTANTES CONSIGNES DE SÉCURITÉ

L'utilisation d'appareils électriques s'accompagne toujours des précautions d'usage, et notamment du respect des règles de sécurité suivantes.

- Veuillez lire ce mode d'emploi.
- Veuillez lire attentivement toutes les informations avant d'utiliser votre appareil pour la première fois. Tout non-respect des instructions et avertissements de sécurité peuvent provoquer des situations dangereuses.
- Une mauvaise utilisation peut causer des blessures potentiel.
- Après avoir déballé l'appareil, vérifiez pour d'éventuels dommages. Ne l'utilisez pas si vous n'êtes pas certain que tout est parfaitement en ordre. Dans ce cas, contactez votre revendeur.
- Tenez tout le matériel d'emballage (carton, sachets en plastique etc.) en dehors de la portée d'enfants (risque d'étouffement ou de blessure).
- Cet appareil n'est destiné que pour l'utilisation domestique. Ne l'utilisez pas à l'extérieur.
- Ne posez pas cet appareil sur ou à proximité d'une cuisinière à gaz ou électrique en marche ou dans un four préchauffé.
- Le fabricant n'est pas responsable de dommages ou blessures occasionnés par une utilisation non conforme ou non

conforme aux consignes de sécurité. Veuillez utiliser l'appareil exclusivement pour l'usage prévu.

- N'autorisez pas les enfants à jouer avec cet appareil.
- Cet appareil ne doit pas être utilisé par des enfants. Gardez l'appareil et le câble électrique hors de portée des enfants.
- Les appareils peuvent être utilisés par des personnes ayant des capacités physiques, sensorielles ou mentales réduites, ou qui ont peu d'expérience et de connaissances, sous condition d'être surveillées ou qu'elles soient instruites pour utiliser l'appareil d'une manière sûre, et si elles ont compris les risques liés à l'utilisation de l'appareil.
- Débranchez toujours l'appareil de la surface de dépose s'il est laissé sans surveillance.
- Ne touchez jamais l'appareil avec des mains humides ou mouillées. Ne touchez pas le câble d'alimentation électrique ou la prise avec des mains mouillées.
- N'utilisez pas des accessoires qui n'ont pas été recommandés par le fabricant de l'appareil. De mauvaises combinaisons peuvent provoquer des incendies, des décharges électriques ou des blessures.
- Ne plongez jamais le boîtier moteur dans l'eau : tenez compte qu'il s'agit d'un appareil électrique.
- Nettoyez l'appareil uniquement avec un linge humide. Enlevez les mélangeurs du mixeur avant de les laver.
- Mettez le régulateur de vitesse en position «0», et débranchez l'appareil pour l'arrêter.
- Pour séparer l'appareil du courant électrique, tirez toujours sur la prise et non sur le câble.
- Ne laissez pas pendre le câble électrique sur le bord de la table ou le plan de travail, et ne le faites pas toucher des surfaces chaudes, y inclus la cuisinière.
- Débranchez le mixeur à chaque fois que vous ne l'utilisez

- pas, lorsque vous montez ou démontez des accessoires, ou lorsque vous nettoyez l'appareil.
- Ne mettez aucun appareil électrique en route lorsque le câble ou la prise électrique sont endommagés, après l'apparition de dysfonctionnements, ou lorsque l'appareil a été endommagé d'une manière quelconque. Dans ce cas, emmenez l'appareil au point de service autorisé le plus proche pour contrôle, réparation ou réglage.
- N'essayez jamais de remplacer le câble électrique de l'appareil puisque des outils spécifiques sont nécessaires pour cette opération. Faites effectuer la réparation ou le remplacement du câble électrique exclusivement par un atelier de service autorisé par le fabricant, afin de garantir la sécurité de l'appareil.
- Ne plongez jamais le câble, le boîtier moteur et la prise dans l'eau ou autres liquides puisque cela pourrait provoquer des incendies, décharges électriques ou blessures.
- Attention: Afin d'éviter le risque d'une remise en route de la coupure de sécurité, l'appareil ne doit pas être alimenté par un dispositif de mise en route externe, comme par exemple une horloge de programmation, ou relié à un circuit électrique qui est mis en route et arrêté régulièrement par le fournisseur d'énergie.
- L'appareil ne doit pas être branché sur le secteur pendant qu'on le nettoie.
- Ne touchez aucune pièce en rotation.
- Tenez éloignés des pièces en rotation les cheveux, doigts et ustensiles afin d'éviter des blessures graves sur les personnes et des dommages sur le mixer à main.
- Lors du mélange de liquides, et en particulier de liquides chauds, utilisez un récipient haut, ou réduisez la quantité du liquide afin d'éviter des éclabousses.
- Assurez-vous que la vitesse se trouve en position « 0 » et que l'appareil soit débranché avant de le nettoyer, ou arrêtez-le.

- Ne laissez jamais tourner l'appareil sans surveillance.
- Eteignez l'appareil et débranchez-le de l'alimentation avant de remplacer des accessoires ou autres éléments mobiles à l'usage.
- **CONSERVEZ CE MODE D'EMPLOI.**

**Veillez conserver
ces instructions pour
référence ultérieure.**

**POUR USAGE DOMESTIQUE
UNIQUEMENT**

INSTALLATION

Posez l'appareil toujours sur une surface stable et plane qui n'est ni chaude ni à proximité d'une source de chaleur. La surface doit être sèche. Gardez le mixeur plongeant avec accessoires et le câble électrique hors de la portée d'enfants.

Vérifiez que la tension de l'appareil indiquée sur la plaque signalétique, correspond à la tension du réseau électrique dans votre région. L'appareil doit être branché uniquement à une prise murale d'au moins 6A mise à la terre (si vous utilisez disjoncteur différentiel à courant de défaut [RCD], demandez conseil à un électricien). Pendant l'utilisation du mixeur plongeant, la prise murale doit être bien accessible en cas d'urgence. Le fabricant ne peut être tenu responsable pour toutes sortes d'accidents résultant d'une mise à la terre déficiente ou de l'absence de mise à la terre.

Lorsque la prise murale n'est pas adaptée à la prise de votre appareil, vous devez faire remplacer la prise murale par un électricien certifié.

INDICATIONS PARTICULIÈRES

CÂBLE ÉLECTRIQUE

Une rallonge électrique peut être utilisée avec la prudence appropriée nécessaire.

En utilisant une rallonge électrique, les valeurs nominales électriques indiquées de la rallonge doivent correspondre au moins à celles de l'appareil ; si l'appareil est mis à la terre, la rallonge doit être composée de trois fils avec mise à la terre. Le câble plus long doit être posé de manière à ce qu'il ne pende pas au-dessus des bords de la table ou du plan de travail, à ce que les enfants ne puissent pas tirer dessus et qu'on ne puisse pas trébucher par-dessus.

POLARIZATION USA - CAN

Cet appareil a une prise polarisée (une fiche est plus large que l'autre). Pour réduire le risque d'une décharge électrique, cette fiche va conduire le courant uniquement dans un sens. Si la prise n'est pas complètement enfichée, inversez-la. Si elle n'est toujours pas branchée complètement, appelez un électricien qualifié. Ne modifiez aucunement la prise.

POUR LE MARCHÉ DES ÉTATS-UNIS ET LE CANADA UNIQUEMENT

Une surveillance stricte est obligatoire lors de l'utilisation de l'appareil par des enfants ou des personnes ne connaissant pas l'appareil.

AVANT L'UTILISATION DU MIXER A MAIN

Nettoyez le mixeur à main avant la première utilisation. Voir le chapitre "Entretien et soins".

ACCESSOIRES

Votre mixeur à main est livré avec deux accessoires différents.

MÉLANGEURS (3)

Les mélangeurs vous permettent d'obtenir un mélange plus fin et d'éviter l'apparition de grumeaux. Ils peuvent être utilisés pour des flans, de la mayonnaise, pour battre des blancs d'œufs, ou de la crème fraîche.

CROCHETS À PÉTRIR (4a, 4b)

Les crochets à pétrir sont particulièrement utiles si vous préparez différentes sortes de pâtes pour du pain ou avec de la levure.

REGLAGE DE VITESSE

Veillez sélectionner vos vitesses selon les instructions suivantes:

ASTUCE: La consistance de chaque mélange peut se modifier au moment que vous ajoutez des ingrédients. Vous devez donc choisir une vitesse supérieure ou inférieure en conséquence.

VITESSE 0

Dans cette position, l'appareil est arrêté. Placez toujours l'appareil dans cette position pour le nettoyer ou pour le ranger et, bien sûr, débranchez-le.

VITESSE 1

Pour pétrir et mélanger.

VITESSE 2

Pour des sauces et des flans.

VITESSE 3

Pour la préparation de différents mélanges de cuisson.

VITESSE 4

Pour battre du beurre et du sucre, des gâteaux meringués, des mélanges à gâteaux et des glaçages au sucre.

VITESSE 5

Pour battre des mélanges légers et aérés, comme des purées de pommes de terre ou des œufs.

COMMENT UTILISER VOTRE MIXER A MAIN

MONTER LES ACCESSOIRES

Avant de monter vos accessoires, assurez-vous que la vitesse (1) soit réglée en position « 0 », et que la base soit débranchée.

Poussez les accessoires souhaités dans les trous d'insertion (5) jusqu'à ce qu'ils s'enclenchent.

Lorsque vous utilisez les crochets à pétrir (4a, 4b), soyez sûr de les insérer dans la bonne ouverture (5). Le crochet de gauche (4a) ne peut s'emboîter que dans le trou gauche (5) avec le pas visible dans le trou.

Les deux fouets (3) peuvent s'emboîter dans les deux trous (5).

BRANCHER L'ALIMENTATION ÉLECTRIQUE

Les accessoires doivent d'abord être installés avant de brancher l'appareil sur la prise électrique.

Avant de brancher le mixer à main sur le courant, vérifiez que le régulateur de vitesse (1) est bien mis en position « 0 ».

PROCÉDÉ DE MIXAGE

IMPORTANT: Lorsque le mixer a tourné pendant 4 minutes sans interruption, il doit être arrêté pendant 2 minutes pour éviter une surchauffe du moteur.

Placez les ingrédients dans un récipient de mixage. Si vous utilisez des récipients en verre ou en porcelaine, vérifiez que les accessoires ne touchent pas les parois ou le fond du récipient.

Plongez les accessoires du mixer dans la masse et sélectionnez la vitesse souhaitée (1). Voir paragraphe "Réglage de vitesse".

Pour éviter des éclaboussures, vérifiez que les pièces accessoires restent toujours plongées dans la masse pendant le mixage.

Lorsque le procédé de mixage est terminé, mettez le régulateur de vitesse (1) en « 0 » et débranchez l'appareil.

Si vous n'avez plus besoin d'utiliser le mixer, placez-le sur la surface de dépose (6) avec ses quatre pieds antidérapants en silicone.

DÉMONTÉ LES ACCESSOIRES

N'enlevez pas les accessoires du mixer avant d'avoir mis le régulateur de vitesse (1) à « 0 » et d'avoir débranché l'appareil.

Appuyez sur le bouton de déverrouillage (2) pour enlever les accessoires. Veuillez bien tenir les accessoires par la tige.

NOTE: Pour votre sécurité, les accessoires ne peuvent être déverrouillés que lorsque vous avez mis le régulateur de vitesse (1) en position « 0 ».

ENTRETIEN ET SOINS

Débranchez l'appareil avant de nettoyer le mixer à main.

N'utilisez aucun produit de nettoyage récurant.

NETTOYAGE DES ACCESSOIRES

Pour enlever des accessoires les excédents d'aliments, utilisez une spatule en caoutchouc ou en plastique.

Lavez les accessoires à la main ou au lave-vaisselle.

Toutes réparations doivent être effectuées par un point de service autorisé.

NETTOYAGE DU BOÎTIER

Pour nettoyer toutes les parties du boîtier du mixer, utilisez uniquement un chiffon humide.

Ne plongez jamais le boîtier moteur, la prise ou le câble électriques dans l'eau. N'oubliez jamais qu'il s'agit d'un appareil électrique.

RANGEMENT

Après chaque utilisation du mixer à main, enlevez toujours les accessoires.

Placez le mixer sur sa surface de dépose (6) lorsqu'il n'est pas utilisé.

NOTE: Débranchez toujours le mixer à main de la prise lorsqu'il n'est pas utilisé.

SPÉCIFICATIONS TECHNIQUES

DONNÉES TECHNIQUES

Tension nominale EUROPE	220-240V- 50-60Hz
Tension nominale États-Unis	120V- 60Hz
Puissance nominale EUROPE	185 Watt
Puissance nominale États-Unis	160 Watt
Longueur de câble	environ. 160cm / 63inches (USA) environ. 120cm / 47inches (EU)

GARANTIE FABRICANT POUR LES ÉTATS-UNIS ET LE CANADA, L'UE ET LA SUISSE.

Garantie : BODUM® AG, Suisse, garantit le mixer à main BISTRO pour une période de deux ans à compter de la date d'achat initiale, contre tout matériau défectueux ou défaillance résultant d'un vice de conception ou de fabrication. Si toutes les conditions de la garantie sont respectées, les réparations seront effectuées gratuitement. Les remboursements ne sont pas accordés.

Garant : BODUM® (Schweiz) AG, Kantonsstrasse 100, Postfach 463, 6234 Triengen.

Conditions de garantie : Le certificat de garantie doit être rempli par le vendeur au moment de l'achat. Il devra être présenté pour bénéficier des services de garantie. Si votre produit nécessite un service de garantie BODUM®, veuillez contacter votre revendeur BODUM®, un magasin BODUM®, un distributeur BODUM® de votre pays, ou visiter www.bodum.com.

BODUM® ne fournira pas de garantie pour les dommages résultant d'une utilisation inappropriée, d'une mauvaise manipulation, de l'usure normale, d'un entretien ou de soins inadéquats ou incorrects, d'une mauvaise manœuvre ou de l'utilisation de l'appareil par des personnes non autorisées.

Cette garantie du fabricant n'affecte pas vos droits légaux en vertu des lois nationales applicables en vigueur, ni votre droit contre le revendeur découlant du contrat de vente/d'achat.

MISE AU REBUT CORRECT DE CE PRODUIT



Ce sigle indique que ce produit ne doit pas être éliminé avec les autres déchets ménagers dans l'UE. Pour éviter d'éventuels impacts néfastes pour l'environnement ou la santé humaine dus à des dépôts incontrôlés de déchets, recyclez-le de manière responsable pour favoriser la réutilisation durable des matières premières. Pour retourner votre appareil usagé, veuillez utiliser des systèmes de retour et de collecte, ou contactez le revendeur où le produit a été acheté. Il peut reprendre le produit pour un recyclage respectueux de l'environnement.

DANSK

Tillykke! Du er nu den stolte ejer af en Bistro håndmixer fra BODUM®. Læs denne brugsanvisning omhyggeligt før brug af din håndmixer.

DA

VIGTIGE SIKKERHEDSREGLER

Når du bruger elektriske apparater, skal grundlæggende sikkerhedsregler altid følges, herunder følgende.

- Læs venligst disse instruktioner nøje før brug.
- Læs alle vejledninger omhyggeligt før apparatet tages i brug første gang.
- Misbrug vil medføre potentielle skade.
- Enhver manglende overholdelse af disse instrukser og sikkerhedsforanstaltninger kan resultere i farlige situationer.
- Efter udpakning, tjek apparatet for eventuel skade. Brug ikke håndmixeren, hvis du er usikker på, om den er defekt; kontakt istedet din detailhandler.
- Læg al indpakningsmateriale (karton, plastik, osv.) udenfor børns rækkevide (risiko for kvælning eller anden skade).
- Denne håndmixer er kun beregnet til husholdningsforbrug. Apparatet må ikke anvendes uden døre.
- Stil ikke apparatet på eller ved siden af et tændt gasblus, en elektrisk kogeplade eller ind i en forvarmet ovn.
- Fabrikanten tager ikke ansvar for nogen form for skade opstået ved misligholdelse eller forkert brug af apparatet. Anvend kun apparatet til det formål, hvortil det er beregnet.
- Lad ikke børn lege med apparatet.
- Dette apparat må ikke anvendes af børn. Hold apparatet og dets ledning utilgængeligt for børn.

Brugsanvisning

Mixer à main

- Apparater kan bruges af personer med nedsatte fysiske, sensoriske eller mentale evner eller manglende erfaring og viden, hvis de har fået supervision eller instruktion om brugen af apparatet på en sikker måde, og hvis de forstår de involverede risici.
- Afbryd altid apparatet fra forsyningen, når det ikke er under opsyn.
- Berør ikke apparatet med fugtige eller våde hænder. Berør heller ikke ledningen eller stikkontakten med våde hænder.
- Brug ikke nogen form for ekstra tilbehør, som ikke er anbefalet af fabrikanten. Dette kan forårsage brand, elektrisk stød eller andre ulykker.
- Motorenheden må aldrig nedsænkes i vand. Husk, at din håndmixer er et elektrisk redskab.
- Rengør apparatet ved brug af en fugtig klud. Fjern piskeris fra mixeren før rengøring.
- Skub hastighedskontrol kontakten i position <<0>> og frakobbel enheden for at slukke den.
- Ved udtagning af ledning fra stikkontakten, hold fast i stikket, ikke i ledningen.
- Lad ikke ledningen hænge nedover bordkanter og arbejds-overflader og undgå også at den kommer i berøring med varme overflader, herunder ovnen.
- Tag stikket ud af stikkontakten, når apparatet ikke er i brug, før montering eller demontering af dele og før rengøring.
- Undlad på et hvert tidspunkt at bruge et apparat med beskadiget ledning eller kontakt, eller såfremt det er defekt eller på anden måde beskadiget. Lad istedet apparatet efterse, reparere eller justere hos nærmeste autoriserede fagmand.
- Undlad selv at udskifte ledningen på dit apparat, da specialværktøj er en nødvendighed. Reperationer eller udskiftning af ledning skal udføres af en detailhandler anbefalet

af fabrikanten for at kunne sikre apparates sikkerhed.

- Nedsdæk aldrig ledningen, motorenheden eller stikket i vand eller andre væsker, da dette kan forårsage brand, elektrisk stød eller andre ulykker.
- Advarsel: for at undgå risikoen for tilsidesættelse af sikkerheds-nedlukningssystemet må apparatet ikke blive betjent ved brug af en ekstern afbryderanordning så som en timer, derudover må apparatet heller ikke være tilsluttet et elektrisk kredsløb, som jævligt bliver tændt og slukket af elværket.
- Apparatet skal være frakoblet stikkontakten under rengøring.
- Rør ikke ved roterende bestanddele.
- Hold tøj, smykker, hår, fingre og køkkenredskaber væk fra roterende bestanddele og tilbehør for at undgå alvorlige ulykker på individer eller skade på apparatet.
- Ved blanding af væsker, og især varme væsker, brug da en høj beholder eller reducér mængden af væske, der blandes for at reducere risikoen for sprøjt.
- Sørg for at hastighedsindstillingen er i 0-indstilling og at apparatet er tilsluttet før det slukkes det eller gøres rent.
- Lad aldrig apparatet køre uden opsyn.
- Sluk for apparatet, og afbryd strømforsyningen, inden du udskifter tilbehør eller rører ved dele, som bevæger sig under driften.
- **GEM DENNE VEJLEDNING.**

Gem denne brugsanvisning til senere brug.

KUN TIL BRUG I PRIVATE HJEM

MONTERING

Placér altid apparatet på en stabil og vandret overflade. Denne overflade må ikke være varm eller i nærheden af varme. Overfladen skal være tør. Opbevar apparatet og ledningen udenfor børns rækkevide.

Tjek at den elektriske spænding opgivet på apparatet svarer til den lokale elektriske spænding. Apparatet må kun tilsluttes til en korrekt jordforbundet stikkontakt med en produktion på mindst 6A (hvis du bruger en rating kontrolleret stik (RCD), skal du bede din elektriker om rådgivning). Mens enheden er i brug, skal stikkontakten være inden for rækkevidde i tilfælde af en nødsituation. Producenten påtager sig intet ansvar for ulykker som følge af mangelfuld grundstødning eller fravær af jordforbindelse.

Hvis stikket, der tilhører apparatet, ikke passer ind i stikkontakten, få det skiftet af en kvalificeret elektriker.

YDERLIGE INSTRUKTIONER

LEDNING

Under overholdelse af de gældende forholdsregler, er det muligt at bruge en forlængerledning.

Hvis du bruger en forlængerledning, skal de elektriske nominelle værdier for forlængerledningen som minimum svare til dem på enheden. Hvis enheden er jordet, skal forlængerledningen være en tre-ben jordet ledning. Kablet skal lægges på en sådan måde, at det ikke går ud over kabordkanten eller anden arbejdsoverflade. Sørg også for, at børn eller andre personer ikke vil være i stand til at trække i ledningen eller snuble over den.

FØR IGANGTAGNING AF HÅNDMIXEREN

Rengør håndmixser inden første brug. Se Kapitel "Vedligeholdelse og pleje".

BESTANDDELE

Din håndmixer leveres med to forskellige enheder.

PISKERIS (3)

Piskerisene giver din blandingsmasse en finere tekstur og forhindrer klumper. De kan anvendes til at fremstille visse desserter, mayonnaise, piskning af æggevider eller fløde..

DEJKROGE (4a, 4b)

Dejkrogene er specielt velegnede, når du laver visse dejtyper, så som gærdej eller brøddej uden gær.

HASTIGHEDSINDSTILLINGER

Vælg din hastighedsindstillinger baseret på følgende vejledning:

TIP: Konsistensen af enhver masse kan ændre sig til enhver tid, mens du tilføjer ingredienser. Derfor bør du enten bruge en højere eller lavere hastighedsindstilling.

HASTIGHED 0

Enheden er slukket i denne position. Anbring altid apparatet i denne indstilling ved rengøring, vækstilling og selvfølgelig ved udtagning af stik.

HASTIGHED 1

Til dejæltning og blanding.

HASTIGHED 2

Til saucer og visse desserter.

HASTIGHED 3

Til fremstilling af diverse bagværker.

HASTIGHED 4

Til at piske smør og sukker, sandkagedej, kagemix og glasur.

HASTIGHED 5

Til at piske luftige masser såsom kartoffelmos eller æg.

SÅDAN BRUGER DU DIN HÅNDMIXER

MONTERING AF BESTANDDELE

Før du monterer bestanddelene skal du sørge for, at hastighedsindstillingen (1) er i 0-stilling, og at enheden er tilsluttet.

Skub den ønskede enhed (er) ind i indsættelsehullet (erne) (5), indtil den (de) klikker på plads.

Hvis du bruger dejkrogene (4a, 4b), sørg da for at de indsættes i de korrekte åbninger (5). Den venstre dejkrog (4a) passer kun i venstre hul (5) med det synlige mærke i hullet.

De to piskeris (3) passer ind i begge huller (5).

TILSLUTNING AF STRØM

Før du tilslutter enheden til strømforsyningen, skal alle bestanddele først være monteret.

Før håndmixeren tilsluttes strømforsyningen, sørg for, at hastighedsindstilling (1) er i 0-stilling.

BLANDINGS- PRO- CESS

VIGTIGT: Når mixeren har kørt i 4 sammenhængende minutter, skal den holdes slukket i 2 minutter for at forhindre overophedning af motoren.

Kom ingredienserne i en skål. Hvis du bruger skåle lavet af glas eller porcelæn, sørg da for, at bestanddelene ikke kommer i kontakt med siderne og bunden af skålen.

Fordyb mixerbestanddelene i massen og vælg den ønskede hastighedsindstilling (1). Se Kapitel "Hastighedsindstillinger".

For at forhindre stænk, sørg for, at bestanddelene altid forbliver nedsænket i massen under omrøring.

Ved afslutningen af blandingsprocessen, drej hastighedskontrol (1) til 0 og frakobel enheden.

Hvis du ikke behøver at bruge mixeren længere, placér den på støttebenet (6) med sine fire skridsikre silikone fødder.

DEMONTERING AF BESTAND- DELNE

Fjern ikke mixerbestanddelene, indtil du har slået hastighedskontrol (1) til 0, og har trukket stikket ud af stikkontakten.

Tryk på oplåsingsknappen (2) for at fjerne bestanddelene. Sørg for at du holder fast i bestanddelene ved akslen.

BEMÆRK: Af hensyn til din sikkerhed, kan de vedhæftede bestanddele kun låses op, hvis du har slået hastighedskontrol (1) 0.

VEDLIGEHOLDEL- SE OG PLEJE

Før rengøring af håndmixeren, træk stikket ud.

Brug ikke skrappe rengøringsmidler.

RENGØRING AF BESTANDDELE

Du kan fjerne overskydende fødevarer fra bestanddelene med en spatel fremstillet af gummi eller plastmateriale.

Du kan enten vaske bestanddelene i hånden eller i opvaskemaskinen.

Alle reparationer skal udføres af et autoriseret serviceværksted.

RENGØRING AF MOTORENHEDEN

Brug kun en fugtig klud til at rengøre dele af motorenheden.

Nedsænk aldrig motorenheden, stik og ledning i vand. Husk, mixeren er en elektrisk anordning.

OPBEVARING

Fjern alle bestanddele, hver gang du er færdig med at bruge håndmixeren.

Når apparatet ikke er i brug, skal den placeres på støttebenet (6).

BEMÆRK: Afbryd altid håndmixeren fra strømforsyningen, når den ikke er i brug.

TEKNISKE SPECIFIKATIONER

TEKNISKE DATA

Nominal spænding EUROPE	220-240V- 50-60Hz
Nominal spænding USA	120V- 60Hz
Nominal ydelse EUROPE	185 Watts
Nominal ydelse USA	160 Watts
Ledningslængde	eca. 160cm / 63tommer (USA)
	eca. 120cm / 47tommer (EU)

PRODUCENTGARANTI FOR USA & CAN, EU OG CH.

Garanti: BODUM® AG, Schweiz, garanterer BISTRO håndmixer i en periode på to år fra den oprindelige købsdato mod defekte materialer og funktionsfejl, der kan spores til mangler i design eller fremstilling. Reparationer udføres gratis, hvis alle garantivilkår opfyldes. Der er ikke mulighed for refundering.

Garant: BODUM® (Schweiz) AG, Kantonsstrasse 100, Postfach 463, 6234 Triengen.

Garantibetingelser: Et garanticertifikat skal udfyldes af sælgeren på købstidspunktet. Du skal præsentere garantibeviset for at få garantiservice. Skulle din BODUM® produkt kræve garantiservice, skal du kontakte din BODUM® forhandler, en BODUM® butik, dit lands BODUM® forhandler, eller besøg www.bodum.com.

BODUM® vil ikke give garanti for skader som følge af uheldig brug, forkert håndtering, normalt slid, mangelfuld eller forkert vedligeholdelse eller pleje, forkert betjening eller brug af apparatet af uautoriserede personer.

Denne producentgaranti påvirker ikke dine lovmæssige rettigheder i henhold til gældende nationale love i kraft, eller din ret mod forhandleren i forbindelse med salgs-/ købekontrakt.

MILJØVENLIG BORTSKAFFELSE



Det er ulovligt at bortskaffe elektriske apparater, der er defekte eller forældede sammen med almindeligt affald. De skal bortskaffes særskilt. Forbrugerne har mulighed for at efterlade sådanne anordninger på genbrugsstationer gratis. Ejere af sådanne enheder er påkrævet for at bringe dem til indsamlingssteder eller sætte dem ud, når de respektive samlinger finder sted. Ved at gøre denne mindre personlig indsats, er du sikker på, at værdifulde råvarer genanvendes og forureninger håndteres korrekt.

ESPAÑOL

¡Felicitaciones! Usted es ahora un orgulloso dueño de una batidora de mano eléctrica BISTRO BODUM®. Por favor, lea atentamente estas instrucciones antes de utilizar su batidora de mano.

ES

MEDIDAS IMPORTANTES DE SEGURIDAD

Al utilizar este aparato eléctrico deberá seguir siempre algunas precauciones de seguridad básicas, entre las que se incluyen las siguientes.

- Lea atentamente todas estas instrucciones.
- Por favor lea toda la información antes de utilizar el artefacto por primera vez. Cualquier incumplimiento de las instrucciones y medidas de seguridad pueden resultar en situaciones peligrosas.
- El uso incorrecto puede producir potencial lesiones!
- Una vez que haya desempaquetado el producto, controle que no existan daños. No lo utilice si no está completamente seguro de que todo se encuentra en orden. Por cualquier eventualidad, contacte a su proveedor.
- Guarde todo los materiales del empaquetado (caja, bolsas plásticas, etc.) fuera del alcance de los niños (riesgo de asfixia o daños).
- Esta batidora de mano esta diseñada sólo para el uso hogareño. No lo use en exteriores.
- No utilice el dispositivo en cercanías a una hornalla eléctrica o a gas encendida, o de un horno precalentado.
- El fabricante no se hará responsable por daños o heridas que resulten del uso inapropiado o del incumplimiento de

Instrucciones de uso

Hånd mixer

estas instrucciones. Use este dispositivo solo con el objeto para el que fue diseñado.

- No permita que los niños jueguen con este artefacto.
- Los niños no deben utilizar este dispositivo. Mantenga este artefacto y el cable de alimentación fuera del alcance de los niños.
- Las personas con discapacidades físicas, sensoriales o mentales, o con falta de experiencia y conocimiento pueden utilizarlo si son supervisados o instruidos del uso apropiado del artefacto y han entendido el riesgo involucrado.
- Desconecte siempre el artefacto si no está en uso.
- Nunca toque el dispositivo, el cable o desenchufe el artefacto con las manos húmedas o mojadas.
- No use ningún accesorio que no sea recomendado por el fabricante del dispositivo. Las combinaciones inapropiadas pueden causar incendios, descargas eléctricas o lesiones.
- Nunca sumerja la carcasa del motor en agua. Recuerde: su batidora de mano es un artefacto eléctrico.
- Para limpiar el artefacto, use siempre un paño de limpieza húmedo. Remueva los batidores del dispositivo antes de lavarlo.
- Posicione el selector de velocidad en la posición "0" y desenchufe el dispositivo para apagarlo.
- Tire del enchufe para removerlo del tomacorriente, nunca del cable.
- Asegúrese de que el cable de alimentación no cuelgue de la mesa o superficie de trabajo y prevenga también que no toque superficies calientes como el horno.
- Desenchufe la batidora siempre que no esté en uso o si quiere remover o montar accesorios o limpiar el artefacto.
- Bajo ninguna circunstancia encienda un artefacto eléctrico si el cable de alimentación o el enchufe están dañados, luego de que se hayan producidos fallas en el funcionamiento o si

el dispositivo fue dañado de cualquier manera. En tales casos, lleve el artefacto hasta el centro de servicio autorizado más cercano para una inspección, reparación o ajuste.

- Nunca intente reemplazar el cable de alimentación ya que se requieren herramientas especiales para hacerlo apropiadamente. Repare el dispositivo exclusivamente en un centro de servicio autorizado de modo que haya garantía de la seguridad utilizar el artefacto.
- Nunca sumerja el cable, la carcasa del motor o el enchufe en agua u otros líquidos, ya que puede causar fuego, descargas eléctricas o heridas.
- Precaución: para prevenir riesgos, el artefacto no debe conectarse a la red eléctrica a través de otros dispositivos tales como temporizadores o circuitos eléctricos que regularmente son apagados o encendidos por la compañía eléctrica.
- El dispositivo no debe estar conectado a la red eléctrica mientras se limpia.
- No toque ninguna parte rotativa.
- Mantenga la ropa, joyería, dedos, cabello y utensilios lejos de las partes rotativas para prevenir heridas graves y daños a la unidad.
- Al batir líquidos y en particular líquidos calientes, utilice contenedores altos o reduzca la cantidad que mezcla para prevenir salpicaduras.
- Asegúrese de que el selector de velocidad se encuentre en 0 y que el dispositivo se encuentre desenchufado antes de limpiarlo.
- Nunca deje el artefacto encendido sin supervisión.
- Apague el aparato y desenchúfelo antes de proceder al cambio de accesorios o colocar piezas que se retiraron durante el uso.
- **GUARDE ESTAS INSTRUCCIONES.**

Guarde estas instrucciones de uso para referencia futura.

SOLO USO DOMÉSTICO

INSTALACIÓN

Posicione siempre el artefacto sobre una superficie nivelada y estable. No debe estar caliente ni localizada cerca de una fuente de calor. La superficie debe estar seca. Guarde siempre el artefacto y el cable de alimentación fuera del alcance de los niños.

Asegúrese de que la información de voltaje escrita en la etiqueta del artefacto concuerde con el voltaje de la red eléctrica de su región. El dispositivo solo debe conectarse a un tomacorriente con descarga a tierra y con una entrega de corriente de al menos 6A (si utiliza un regulador de corriente (RCD), consulte con un electricista). Mientras el artefacto esté en uso, el tomacorriente debe estar al alcance por si ocurriera una emergencia. El fabricante no asumirá ninguna responsabilidad por accidentes que resultaran de una instalación eléctrica sin descarga a tierra o con descarga a tierra defectuosa.

Si el tomacorriente no concordara con el enchufe de su dispositivo, deberá ser reemplazado por un electricista certificado.

INSTRUCCIONES ESPECIALES

CABLE DE ALIMENTACIÓN

Es posible utilizar un cable alargador, si cumple con las precauciones mencionadas.

Si utiliza un cable alargador, los valores nominales eléctricos del cable deben ser como mínimo equivalentes a los del dispositivo. Si el dispositivo posee descarga a tierra, el alargador deberá tener descarga también. El cable de mayor longitud debe estar dispuesto de tal manera que no se

extienda más allá de la superficie de trabajo. Asegúrese de que los niños u otros individuos no jalen o tropiecen con él.

PARA EE.UU. y CANADÁ ÚNICAMENTE

Si el dispositivo fuera utilizado por niños o individuos que no están familiarizados con el mismo, es imperante la estricta supervisión.

Este artefacto tiene un enchufe polarizado (uno de los pines es más ancho que el otro). Para reducir el riesgo de descargas eléctricas, el enchufe encajará en un tomacorriente polarizado y únicamente en un solo sentido. Si el enchufe no entrara completamente, inviértalo. Si aún así no encajara, contacte un electricista calificado. No modifique el enchufe de ninguna manera.

ANTES DE UTILIZAR LA BATIDORA DE MANO

Limpie la batidora antes de su primer uso. Lea el Capítulo "Mantenimiento y cuidado".

ACCESORIOS

Su batidora de mano viene con dos diferentes accesorios.

BATIDORES (3)

Los batidores le proporcionan a la masa una fina textura y previenen la formación de grumos. Pueden utilizarse para preparar budines, mayonesa, batir huevos o crema de leche.

GANCHOS DE AMASAR (4a, 4b)

Los ganchos para amasar son particularmente útiles si está preparando diferentes tipos de masa, como ser pan o levadura.

CONTROL DE VELOCIDAD

Seleccione la posición de velocidad siguiendo las siguientes instrucciones:

TIPO: la consistencia de cualquier masa puede cambiar cada vez que agrega un nuevo ingrediente. En consecuencia, deberá cambiar a una velocidad mayor o menor.

VELOCIDAD 0

El artefacto se encuentra apagado en esta posición. Posicione siempre el dispositivo en esta posición para limpiarlo, guardarlo y, por supuesto, desenchúfelo.

VELOCIDAD 1

Para amasar y mezclar.

VELOCIDAD 2

Para salsas y budines.

VELOCIDAD 3

Para la preparación de variadas mezclas para hornear.

VELOCIDAD 4

Para batir manteca y azúcar, masa para torta y glaseado de azúcar.

VELOCIDAD 5

Para batir masas aireadas y ligeras como ser puré de papas o huevos.

CÓMO USAR SU BATIDORA DE MANO**MONTAJE DE ACCESORIOS**

Antes de colocar los accesorios, asegúrese de que el control de velocidad (1) se encuentre en posición 0 y que el artefacto esté desenchufado.

Introduzca el/los accesorio(s) deseado/s en los huecos de inserción (5) hasta que calcen en el lugar.

Si va a utilizar los ganchos para amasar (4a, 4b) asegúrese de colocarlos en los huecos correspondientes (5). El gancho izquierdo (4a) encaja únicamente en el hueco izquierdo (5).

Ambos batidores (3) encajaran en cualquier hueco (5).

CONECTANDO EL ARTEFACTO

Antes de conectar el artefacto a la red eléctrica, los accesorios deben estar instalados.

Antes de conectar la batidora de mano a la red eléctrica, asegúrese de que el selector de velocidad (1) se encuentre en la posición 0.

PROCESO DE MEZCLADO

IMPORTANTE: Si la batidora funcionó por 4 minutos corridos, debe apagarse por 2 minutos para prevenir el sobrecalentamiento del motor.

Ponga los ingredientes en un bol apto para ello. Si utiliza un bol de vidrio o porcelana, asegúrese de que el accesorio no haga contacto con los lados o el fondo.

Sumerja los accesorios en la masa y elija la velocidad deseada (1). Vea capítulo "Control de velocidad".

Para prevenir salpicaduras, asegúrese de que los accesorios

se mantengan siempre sumergidos en la masa.

Una vez completado el proceso de mezclado, mueva el selector de velocidad (1) a 0 y desenchufe el artefacto.

Si no necesita seguir utilizando la batidora, poséñela sobre la posadera (6) de cuatro apoyos antideslizantes.

DESMONTAR LOS ACCESORIOS

No remueva los accesorios hasta que el control de velocidad (1) no se encuentre en 0 y haya desenchufado el artefacto.

Presione el botón de desbloqueo (2) para remover los accesorios. Asegúrese de sostener los accesorios por el eje.

NOTA: en orden de cuidar la seguridad, los accesorios solo pueden removerse si el control de velocidad (1) se encuentra en la posición 0.

MANTENIMIENTO Y CUIDADO

Antes de limpiar la batidora de mano, desenchúfela.

No utilice sustancias abrasivas.

LIMPIEZA DE LOS ACCESORIOS

Puede remover cualquier sobra de comida de los accesorios con una espátula de caucho o plástico.

Puede lavar los accesorios a mano o en lavavajillas.

Cualquier reparación debe efectuarse en un centro autorizado.

LIMPIEZA DE LA CARCASA

Utilice únicamente un paño húmedo para limpiar cualquier parte de la carcasa de la mezcladora.

Nunca sumerja la carcasa de motor, enchufe o el cable de alimentación en el agua. Recuerde, la batidora es un artefacto eléctrico.

ALMACENAJE

Remueva los accesorios cada vez que haya terminado de utilizar la batidora.

Mientras no esté en uso, posicione la batidora sobre la posadera (6).

NOTA: Desconecte siempre la batidora de mano de la red eléctrica si no la utiliza.

ESPECIFICACIONES TÉCNICAS

DATOS TÉCNICOS

Tensión nominal EUROPE	220-240V- 50-60Hz
Tensión nominal EE.UU	120V- 60Hz
Potencia nominal EUROPE	185 Watts
Potencia nominal EE.UU	160 Watts
Longitud del cable	aprox. 160cm / 63pulgadas (USA) aprox. 120cm / 47pulgadas (EU)

GARANTÍA DEL FABRICANTE PARA EE. UU. Y CANADÁ, LA UE Y SUIZA.

Garantía: BODUM® AG, Suiza, garantiza el la batidora de mano BISTRO durante un periodo de dos años a partir de la fecha de compra original frente a materiales defectuosos y averías que sean originariamente defectos de diseño o fabricación. Las reparaciones se realizan de forma gratuita si se cumplen todas las condiciones de la garantía. No se emiten reembolsos.

Garante: BODUM® (Suiza) AG, Kantonsstrasse 100, Postfach 463, 6234 Triengen.

Condiciones de la garantía: el vendedor debe rellenar un certificado de garantía en el momento de la compra. Debe presentar el certificado de garantía para obtener los servicios de garantía. Si su producto BODUM® requiere el servicio de garantía, póngase en contacto con su distribuidor de BODUM®, con una tienda BODUM®, con el distribuidor BODUM® de su país o visite www.bodum.com.

En la garantía BODUM® no se incluyen los daños causados por uso o manipulación inadecuados, desgaste normal, mantenimiento o cuidado incorrectos, mal funcionamiento o uso del aparato por personas no autorizadas.

Esta garantía del fabricante no afecta sus derechos estatutarios bajo las leyes nacionales en vigor ni sus derechos frente al proveedor, derivados de su contrato de compraventa.

DESECHO ECOLÓGICO



Los electrodomésticos viejos ya no pueden ser desechados con el resto de la basura, sino que se deben desechar por separado. La entrega en centros de recolección comunal por parte de personas privadas no tiene costo alguno. Los propietarios de electrodomésticos viejos están obligados a entregarlos en dichos centros de recolección o algún sitio similar. Con esta pequeña contribución personal está colaborando para que se puedan reciclar valiosos materiales y para que los materiales dañinos puedan tratarse como corresponde.

ITALIANO

Congratulazioni! Ora possedete un mixer elettrico a mano BISTRO di BODUM®. Vi invitiamo a leggere con attenzione le presenti istruzioni prima di usare il mixer.

IT

AVVERTENZE DI SICUREZZA IMPORTANTI

Durante l'uso di elettrodomestici, è necessario adottare alcune precauzioni basilari per la sicurezza, tra cui quelle elencate di seguito.

- Leggere attentamente le presenti istruzioni prima dell'uso del prodotto.
- Leggere interamente tutte le informazioni prima di usare l'apparecchio per la prima volta. La mancata osservanza delle istruzioni e delle avvertenze sulla sicurezza può causare situazioni pericolose.
- L'uso improprio può provocare lesioni potenziale.
- Dopo aver disimballato l'apparecchio, controllare che non presenti danni. Non usarlo fino a quando non si è sicuri che tutto sia in perfetto ordine. In caso contrario, contattare il rivenditore.
- Riporre tutti i materiali dell'imballaggio (scatola, plastica, sacchetti ecc.) lontano dalla portata dei bambini (pericolo di soffocamento o lesioni).
- Questo mixer è concepito per esclusivo uso domestico. Non usare all'esterno.
- Non collocare l'apparecchio accanto o sopra il gas acceso, vicino a campi elettrici o in un forno preriscaldato.
- Il fabbricante declina ogni responsabilità per danni o lesioni

Istruzioni per l'uso

Batidora de mano

derivanti da uso improprio o usi difformi dalle presenti istruzioni. Utilizzare l'apparecchio solo per lo scopo per il quale è stato concepito.

- Non permettere ai bambini di giocare con l'apparecchio.
- L'apparecchio non deve essere usato da bambini. Tenere l'apparecchio e il cavo elettrico lontani dalla portata dei bambini.
- L'apparecchio può essere usato da persone con ridotte capacità fisiche, sensoriali o mentali o con scarsa esperienza e conoscenza solo se sono sorvegliate o istruite per usare l'apparecchio in modo sicuro e sono consapevoli dei rischi connessi.
- Scollegare sempre l'apparecchio dall'alimentazione, se lo si lascia incustodito.
- Non toccare mai l'apparecchio con le mani umide o bagnate. Inoltre non toccare il cavo di alimentazione o la spina dell'apparecchio con le mani umide e bagnate.
- Non usare accessori non approvati dal fabbricante dell'apparecchio. Accostamenti impropri possono causare incendi, scosse elettriche o lesioni.
- Non immergere nell'acqua l'alloggiamento del motore. Non dimenticare mai che il mixer è un'apparecchiatura elettrica.
- Per pulire l'apparecchio usare solo un panno per pulizia umido. Togliere i battitori dal mixer prima di lavarlo.
- Portare il regolatore di velocità nella posizione «0» e scollegare l'apparecchio dalla presa per spegnerlo.
- Tirare la spina per toglierla dalla presa, non tirare il cavo di alimentazione.
- Assicurarsi che il cavo di alimentazione non penda dal tavolo o dalla superficie di lavoro ed evitare che venga a contatto con superfici calde, compresi i fornelli.
- Staccare la spina del mixer quando non lo si usa, quando

si montano o rimuovono accessori o quando lo si pulisce.

- Non mettere in funzione in nessun caso un apparecchio elettrico se il cavo di alimentazione o la spina sono danneggiati, dopo un malfunzionamento o se l'apparecchio è stato danneggiato in altro modo. In questi casi portare sempre l'apparecchio al più vicino centro di assistenza autorizzato e farlo controllare, riparare o regolare.
- Non cercare mai di sostituire il cavo di alimentazione dell'apparecchio: questa operazione richiede utensili speciali per essere eseguita correttamente. Far eseguire riparazioni di questo genere e sostituzione del cavo di alimentazione solo da un centro di assistenza autorizzato dal fabbricante per garantire che l'apparecchio continui a funzionare in modo sicuro.
- Non immergere mai in acqua o altri liquidi cavi di alimentazione, alloggiamenti del motore e spine: questo potrebbe provocare incendi, scosse elettriche o lesioni.
- Attenzione: Per evitare il rischio dello spegnimento automatico di sicurezza che riattiva l'apparecchio, questo non deve essere collegato all'alimentazione mediante un dispositivo di commutazione esterno, come ad esempio un timer, o collegato con un circuito acceso o spento regolarmente dalla società elettrica.
- L'apparecchio non deve essere collegato alla rete mentre viene pulito.
- Non toccare le parti in rotazione.
- Tenere abiti, gioielli, dita, capelli e utensili lontano da parti in rotazione per evitare lesioni gravi alle persone e danni all'apparecchio.
- Con ingredienti liquidi, e in particolare liquidi caldi, usare un contenitore alto o ridurre la quantità di liquido da miscelare per evitare il rischio di spruzzi.
- Prima di pulire l'apparecchio, assicurarsi che la regolazione di velocità sia sulla posizione 0 e che l'apparecchio

sia staccato dalla spina, oppure spegnerlo.

- Sorvegliare sempre l'apparecchio mentre è in funzione.
- Spegnerne l'elettrodomestico e staccare la spina dalla presa di corrente prima di sostituire gli accessori o di avvicinarsi ai componenti in movimento durante l'uso.

• **CONSERVARE QUESTE ISTRUZIONI.**

Conservare queste istruzioni per riferimento futuro.

ESCLUSIVAMENTE PER USO DOMESTICO

INSTALLAZIONE

Collocare sempre l'apparecchio su una superficie stabile e piana. Non deve essere calda né in prossimità di una fonte di calore. La superficie deve essere asciutta. Riporre sempre l'apparecchio lontano dalla portata dei bambini.

Assicurarsi che la tensione indicata sulla targhetta dell'apparecchio corrisponda alla tensione di rete della zona. L'apparecchio deve essere collegato solo a una presa a parete con messa a terra a norma, dotata di un'uscita di almeno 6 A (se si usa una spina RCD, chiedere consiglio all'elettricista di fiducia). Quando l'apparecchio è in funzione, la presa di corrente deve essere facilmente raggiungibile in caso di emergenza. Il fabbricante declina qualsiasi responsabilità per incidenti causati da messa a terra insufficiente o mancante.

Se la presa di corrente non è adatta alla spina dell'apparecchio, farla sostituire da un elettricista abilitato.

CAVO DI ALIMENTAZIONE

CAVO DI ALIMENTAZIONE

È possibile usare un cavo di prolunga nel rispetto delle dovute precauzioni.

Se si usa un cavo di prolunga, i valori elettrici nominali del cavo devono essere almeno equivalenti a quelli dell'apparecchio. Se l'apparecchio è dotato di messa a terra, il cavo di prolunga deve essere tripolare e con messa a terra. Il cavo più lungo deve essere posizionato in modo da non estendersi oltre l'orlo di un tavolo di una superficie di lavoro. Assicurarsi inoltre che bambini o altre persone non possano tirarlo o inciampare in esso.

PRIMA DI USARE IL MIXER A MANO

Pulire il mixer prima di usarlo per la prima volta. Vedere capitolo "Cura e manutenzione".

ACCESSORI

Il mixer è fornito con due diverse serie di accessori.

SBATTITORI (3)

Gli sbattitori danno una struttura più fine alla miscela da lavorare ed evitano la formazione di grumi. Possono essere usati per preparare budini e maionese, battere albumi o montare panna.

UNCINI PER IMPASTARE (4a, 4b)

Gli uncini per impastare sono particolarmente utili per la preparazione di vari tipi di impasto, come ad esempio impasto per pane o lievitato.

REGOLAZIONI DI VELOCITÀ

Selezionare la regolazione di velocità in base alle seguenti istruzioni:

SUGGERIMENTO: La consistenza di una massa può cambiare ogni volta che si aggiungono ingredienti. Di conseguenza è necessario usare una velocità più alta o più bassa.

VELOCITÀ 0

In questa posizione l'apparecchio è spento. Portare sempre l'apparecchio in questa posizione prima di pulirlo, riporlo e, naturalmente, staccare la spina.

VELOCITÀ 1

Per impastare e miscelare.

VELOCITÀ 2

Per salse e budini.

VELOCITÀ 3

Per la preparazione di varie miscele per cottura in forno.

VELOCITÀ 4

Per battere burro e zucchero, torta degli angeli, impasto per dolci, miscele per dolci e glassa di zucchero.

VELOCITÀ 5

Per battere masse leggere e morbide come purè di patate o uova.

USO DEL MIXER A MANO**MONTAGGIO DEGLI ACCESSORI**

Prima di montare gli accessori assicurarsi che la regolazione di velocità (1) sia nella posizione 0 e che l'apparecchio sia staccato dalla presa.

Spingere l'accessorio/gli accessori nei fori di inserimento (5) fino all'arresto a scatto.

Se si stanno usando gli uncini per impastare (4a, 4b), assicurarsi di inserirli nelle aperture giuste (5). L'uncino per impastare sinistro (4a) si adatta solo al foro sinistro (5) con lo scalino visibile nel foro.

I due miscelatori (3) sono adatti a entrambi i fori (5).

COLLEGAMENTO ALL'ALIMENTAZIONE

Gli accessori devono essere montati prima di collegare l'apparecchio all'alimentazione elettrica.

Prima di collegare il mixer all'alimentazione, assicurarsi che la regolazione di velocità (1) si trovi saldamente sulla posizione 0.

PROCEDIMENTO DI MISCELAZIONE

IMPORTANTE: Dopo che il mixer ha funzionato per 4 minuti ininterrottamente, è necessario spegnerlo per 2 minuti per evitare il surriscaldamento del motore.

Mettere gli ingredienti in una ciotola. Se si usano ciotole di vetro o porcellana, fare attenzione che gli accessori non vengano a contatto con i lati e i bordi superiori della ciotola.

Immergere gli accessori del mixer nella massa e scegliere la regolazione di velocità (1) desiderata. Vedere capitolo "Regolazioni di velocità".

Per evitare spruzzi, aver cura che gli accessori rimangano sempre immersi nella massa durante la miscelazione.

Dopo aver completato il procedimento di miscelazione, portare a 0 il controllo di velocità (1) e staccare l'apparecchio dalla presa di corrente.

Se non si deve usare il mixer per un lungo periodo, sistemarlo sul suo appoggio (6) con i quattro piedini in silicone antisdrucciolo.

RIMOZIONE DEGLI ACCESSORI

Non rimuovere gli accessori del mixer prima di aver portato a 0 il controllo di velocità (1) e avere staccato l'apparecchio dalla presa di corrente.

Premere il pulsante di sblocco (2) per rimuovere gli accessori. Aver cura di afferrare gli accessori tenendoli per lo stelo.

NOTA: A salvaguardia della sicurezza, gli accessori possono essere sbloccati solo se il controllo di velocità (1) è stato portato a 0.

CURA E MANUTENZIONE

Prima di pulire il mixer, staccare la spina dalla presa.

Non usare detergenti aggressivi.

PULIZIA DEGLI ACCESSORI

Residui di cibo rimasti sugli accessori possono essere rimossi con una spatola di gomma o di plastica.

Gli accessori possono essere lavati a mano o in lavastoviglie.

Qualsiasi riparazione deve essere eseguita da un centro di assistenza autorizzato.

PULIZIA DELL'ALLOGGIAMENTO

Per pulire qualsiasi parte dell'alloggiamento del mixer servirsi esclusivamente di un panno umido.

Non immergere mai nell'acqua alloggiamento del motore, spina e cavo di alimentazione. Non dimenticare che il mixer è un'apparecchiatura elettrica.

CONSERVAZIONE

Rimuovere sempre gli accessori dopo aver finito di usare il mixer.

Quando non si usa il mixer, collocarlo sul suo appoggio (6).

NOTA: Staccare sempre il mixer dalla rete di alimentazione quando non lo si usa.

SPECIFICHE TECNICHE

DATI TECNICI

Tensione nominale EUROPA	220-240V- 50-60Hz
Tensione nominale USA	120V- 60Hz
Potenza nominale EUROPA	185 Watts
Potenza nominale USA	160 Watts
Lunghezza cavo	ca. 160cm / 63" (USA) ca. 120cm / 47" (EU)

GARANZIA DEL PRODUTTORE PER USA & CAN, UE E SVIZZERA.

Garanzia: BODUM® AG, Svizzera, garantisce il Mixer a mano BISTRO per un periodo di due anni a decorrere dalla data di acquisto originale da materiali difettosi e malfunzionamenti che possono essere riconducibili a difetti di design o fabbricazione. Le riparazioni sono gratuite qualora sussistano tutte le condizioni per la garanzia. Non sono previsti rimborsi.

Garante: BODUM® (Suiza) AG, Kantonsstrasse 100, código postal 463, 6234 Triengen.

Condizioni di garanzia: Il certificato di garanzia deve essere completato dal venditore al momento dell'acquisto. Bisogna presentare il certificato di garanzia per ottenere l'assistenza. Se il vostro prodotto BODUM® dovesse necessitare di assistenza in garanzia, si prega di contattare il proprio rivenditore BODUM®, un negozio BODUM®, il distributore BODUM® del proprio paese, o visitare www.bodum.com.

BODUM® non fornirà garanzia per danni derivanti da uso inappropriato, utilizzo improprio, normali danni da usura, manutenzione e cura inadeguate o scorrette, funzionamento o uso non corretto del dispositivo da parte di persone non autorizzate.

Questa garanzia del produttore non pregiudica i diritti legali previsti dalle leggi nazionali vigenti, né il vostro diritto nei confronti del rivenditore derivante dal relativo contratto di vendita/acquisto.

SMALTIMENTO NEL RISPETTO DELL'AMBIENTE



È attualmente illegale lo smaltimento di dispositivi elettrici difettosi o obsoleti insieme ai rifiuti ordinari. Tali dispositivi devono essere smaltiti separatamente. I consumatori hanno la possibilità di depositarli presso i centri di raccolta del comune gratuitamente. I proprietari di tali dispositivi sono tenuti a portarli presso i siti di raccolta o metterli fuori quando hanno luogo le relative raccolte. Con questo piccolo sforzo personale, darete il vostro contributo per assicurare che beni preziosi vengano riciclati e i contaminanti vengano gestiti in modo appropriato.

NEDERLANDS

Gefeliciteerd! U bent nu de trotse eigenaar van een BODUM® elektrische BISTRO handmixer. Lees deze instructies zorgvuldig door voordat u uw handmixer gebruikt.

NL

BELANGRIJKE VEILIGHEIDSTIPS

Wanneer u elektrische apparaten gebruikt, dient u zich altijd aan de algemene veiligheidsvoorschriften te houden, waaronder de onderstaande instructies.

- Lees, voordat u het apparaat in gebruik neemt, deze gebruiksaanwijzing zorgvuldig door.
- Lees alle instructies goed door voordat u uw apparaat voor de eerste keer gebruikt. Niet-naleving van de instructies en veiligheidswaarschuwingen kan leiden tot gevaarlijke situaties.
- Misbruik zal potentiële letsel veroorzaken!
- Na het uitpakken van het apparaat moet u controleren of het beschadigd is. Gebruik het apparaat niet als u twijfelt of alles in perfecte toestand is. Neem in dit geval contact op met uw dealer.
- Bewaar alle verpakkingsmaterialen (doos, plastic zakken enz.) buiten het bereik van kinderen (risico op verstikking of verwonding).
- Deze handmixer is uitsluitend bedoeld voor huishoudelijk gebruik. Gebruik deze niet buitenshuis.
- Plaats het apparaat niet op of naast een ingeschakelde gas- of elektrische kachel of in een voorverwarmde oven.
- De fabrikant is niet aansprakelijk voor schade of letsel veroorzaakt door onjuist of oneigenlijk gebruik, wanneer de instructies niet worden opgevolgd. Gebruik de staafmixer en zijn hulpstukken alleen voor het beoogde doel.
- Laat kinderen niet met het apparaat spelen.
- Dit apparaat mag niet worden gebruikt door kinderen. Houd

Gebruiksaanwijzing

Mixer a mano

- het apparaat en zijn snoer buiten het bereik van kinderen.
- Apparaten mogen worden gebruikt door personen met beperkte fysieke, zintuiglijke of geestelijke vermogens, of gebrek aan ervaring en kennis als ze onder toezicht staan of op een veilige manier worden geïnstrueerd over het gebruik van het apparaat en ze de mogelijke gevaren begrijpen.
- Haal altijd de stekker uit het apparaat als het onbeheerd wordt achtergelaten.
- Raak het apparaat nooit met vochtige of natte handen aan. Raak ook het netsnoer of de stekker van het apparaat niet met vochtige of natte handen aan.
- Gebruik geen hulpstukken die niet worden aanbevolen door de fabrikant van het apparaat. Onjuiste combinaties kunnen leiden tot brand, elektrische schokken of letsel.
- Dompel de motorbehuizing nooit onder in water. Onthoud altijd: uw handmixer is een elektrisch apparaat.
- Gebruik altijd slechts een vochtige doek om het apparaat schoon te maken. Verwijder de kloppers uit de mixer voor het wassen.
- Duw de snelheidsregeling in positie «0» en haal de stekker van het apparaat uit het stopcontact om het uit te schakelen.
- Houd de stekker vast en niet het snoer wanneer u de stekker uit het stopcontact haalt.
- Let erop dat het snoer niet naar beneden hangt over de rand van een tafel of aanrecht of dat het in contact komt met hete oppervlakken met inbegrip van het fornuis.
- Haal altijd de stekker uit de mixer als deze niet in gebruik is, als u onderdelen bevestigt of los haalt of het apparaat wil schoonmaken.
- Gebruik nooit elektrische apparaten als het netsnoer of de stekker is beschadigd, na het ontstaan van storingen of als het apparaat op een andere manier is beschadigd. Als dit het geval is, laat het apparaat dan controleren, repareren of aanpassen door het dichtstbijzijnde geautoriseerde servicecentrum.

- Probeer nooit om het netsnoer van uw apparaat zelf te vervangen, omdat hiervoor speciale gereedschappen nodig zijn. Zorg er altijd voor dat het apparaat uitsluitend wordt gerepareerd of het netsnoer wordt vervangen door een geautoriseerd servicecentrum door de fabrikant om zijn veiligheid te garanderen.
- Dompel het snoer, de motorbehuizing en de stekker niet onder in water of andere vloeistoffen, omdat dit brand, elektrische schokken of verwondingen kan veroorzaken.
- Let op: Om het risico te voorkomen dat de veiligheidsuitschakeling het apparaat wordt ingeschakeld, mag het apparaat niet worden aangesloten op het elektriciteitsnet via een externe schakelinrichting, zoals een timer of worden gekoppeld aan een stroomvoorziening die regelmatig wordt in- of uitgeschakeld door het energiebedrijf.
- Het apparaat mag niet worden aangesloten op het stopcontact tijdens het schoonmaken.
- Raak geen draaiende onderdelen aan.
- Houd kleding, sieraden, vingers, haar en gebruiksvoorwerpen buiten draaiende onderdelen om ernstig persoonlijk letsel en schade aan het apparaat te voorkomen.
- Bij het mengen van vloeistoffen, vooral warme, moet u een hoge kan gebruiken of verminder de hoeveelheid te mengen vloeistof, om spatten te voorkomen.
- Zorg ervoor dat de snelheidsregeling in positie 0 staat, en dat de stekker van het apparaat uit het stopcontact is gehaald voor het schoonmaken of uitschakelen.
- Laat het apparaat nooit zonder toezicht draaien.
- Schakel het apparaat uit en trek de stekker uit het stopcontact, voordat u accessoires vervangt of in de buurt komt van onderdelen die tijdens het gebruik bewegen.

• **BEWAAR DEZE INSTRUCTIES.**

**Bewaar deze instructies
zodat u deze later
opnieuw kunt nalezen.**

**ALLEEN VOOR
HUISHOUDELIJK GEBRUIK**

MONTAGE

Plaats het apparaat altijd op een stevige en vlakke ondergrond. De ondergrond mag niet warm zijn noch in de buurt van een warmtebron zijn. De ondergrond moet droog zijn. Bewaar het apparaat en het netsnoer altijd buiten het bereik van kinderen.

Zorg ervoor dat de spanning vermeld op het typeplaatje van het apparaat gelijk is aan de spanning in uw regio. Het apparaat mag alleen worden aangesloten op een juist geaard stopcontact met een vermogen van ten minste 6A (als u gebruik maakt van een aardlekschakelaar), vraag uw elektricien om advies. Tijdens het gebruik van het apparaat moet het stopcontact gemakkelijk te bereiken zijn in het geval van een noodsituatie. De fabrikant aanvaardt geen aansprakelijkheid voor ongevallen als gevolg van gebrekkige aarding of de afwezigheid van aarding.

Als het stopcontact niet geschikt is voor de stekker van het apparaat, moet u deze laten vervangen door een erkende elektricien.

SPECIALE INSTRUCTIE

NETSNOER

Met inachtneming van de geldende voorzorgsmaatregelen, is het mogelijk om een verlengsnoer te gebruiken.

Indien u een verlengsnoer gebruikt, moeten de nominale elektrische indicatoren op het verlengsnoer ten minste gelijkwaardig zijn aan die van het apparaat. Als het apparaat

is geaard moet het snoer een 3-draads geaarde snoer zijn. De langere kabel moet op een zodanige wijze worden ingesteld dat deze niet over de tafel of het werkblad hangt. Zorg er ook voor dat kinderen of andere personen er aan kunnen trekken of over kunnen struikelen.

VOORDAT U DE HANDMIXER GEBRUIKT

Maak de handmixer schoon voor het eerste gebruik. Zie hoofdstuk "Zorg en onderhoud".

ACCESSOIRES

Er worden twee hulpstukken bij uw handmixer geleverd.

KLOPPERS (3)

De kloppers geven uw verwerkende massa een fijnere structuur en voorkomen de vorming van klonten. Het kan worden gebruikt om puddingen en mayonaise voor te bereiden, eiwit of slagroom te kloppen.

KNEEDHAKEN (4a, 4b)

De kneedhaken zijn vooral nuttig voor het maken van verschillende soorten deeg - zoals voor brood om met gist.

SNELHEIDSIN- STELLINGEN

Kies uw snelheidsinstelling gebaseerd op de volgende instructies:

TIP: De consistentie van massa kan elk moment veranderen wanneer u ingrediënten toevoegt. Daarom moet u een hogere of lagere snelheidspositie gebruiken.

SNELHEID 0

In deze positie is het apparaat uitgeschakeld. Zet het apparaat altijd in deze positie om het schoon te maken of te bewaren en natuurlijk de stekker uit het stopcontact halen.

SNELHEID 1

Voor het kneden van deeg en mengen.

SNELHEID 2

Voor sauzen en pudding.

SNELHEID 3

Voor het maken van diverse bakmengsels.

SNELHEID 4

Om boter en suiker, deeg voor "angel food cake", cakemixen en suikerglazuur te kloppen.

SNELHEID 5

Voor het kloppen van lichte en luchtige massa zoals aardappelpuree of eieren.

HOE DE HANDMIXER TE GEBRUIKEN**ACCESSOIRES AANSLUITEN**

Voordat u uw hulpstukken aansluit, moet u ervoor zorgen dat de snelheidsinstelling op (1) staat in de 0-positie en dat uw apparaat is losgekoppeld van de stroomtoevoer.

Duw de gewenste hulpstuk in de inbrengaten (5) totdat ze vastklikken.

Als u de kneedhaken (4a, 4b) gebruikt, zorg er dan voor dat u ze in de juiste opening (5) plaatst.. De linker kneedhaak (4a) past alleen in het linkergat (5) met met de zichtbare stap in het gat.

De twee gardes (3) passen in de beide gaten (5).

LOSKOPPELEN VAN DE STROOMTOEVOER

Voordat u het apparaat aansluit op de stroomtoevoer, moeten de hulpstukken eerst worden aangebracht.

Voordat u de handmixer aansluit op het stroomnet, moet u controleren of de snelheidsinstelling (1) stevig in de 0-positie staat.

MENGPROCES

BELANGRIJK: Zodra de mixer 4 minuten continue heeft gelopen, moet het 2 minuten worden uitgeschakeld, om de motor tegen oververhitting te beschermen.

Plaats de ingrediënten in een mengkom.. Als u gebruik maakt van glazen of porseleinen kommen, zorg er dan voor dat de hulpstukken niet in contact komen met de zijkanten en de bodem van de kom.

Dompel de mixerhulpstukken in de massa en kies de gewenste snelheidsinstelling (1). Zie het hoofdstuk "Snelheidsinstellingen".

Om spatten te voorkomen, dient u er voor te zorgen dat de hulpstukken altijd ondergedompeld blijven in de massa tijdens het mengen.

Na voltooiing van het mengproces zet u de snelheidsregelaar (1) op 0 en halt u de stekker van het apparaat uit het stopcontact.

Als u de mixer niet meer gebruikt, zet deze dan in de houder (6) met zijn vier anti-slip siliconen voetjes.

VERWIJDEREN VAN DE ACCESSOIRES

Verwijder de mixerhulpstukken niet voordat u de snelheidsregelaar (1) op 0 heeft gezet en de stekker van het apparaat uit het stopcontact heeft gehaald.

Druk op de ontgrendelingsknop (2) om de hulpstukken te verwijderen. Zorg ervoor dat u de hulpstukken bij de as vasthoudt.

OPMERKING: In het belang van uw veiligheid kunnen de hulpstukken allen worden ontgrendeld als de snelheidsregeling (1) in positie 0 staat.

ZORG EN ONDERHOUD

Voordat u het apparaat schoonmaakt, moet u het loskoppelen van het stroomnet.

Gebruik geen agressieve schoonmaakmiddelen.

SCHOONMAKEN VAN ACCESSOIRES

U kunt voedsel uit de hulpstukken verwijderen met een rubberen of plastic spatel.

U kunt de hulpstukken met de hand schoonmaken of in de vaatwasser doen.

Eventuele reparaties moeten worden uitgevoerd door een geautoriseerd servicecentrum.

SCHOONMAKEN VAN DE BEHUIZING

Gebruik alleen een vochtige doek om onderdelen van de behuizing van de mixer schoon te maken.

Dompel de motorbehuizing, de stekker en het netsnoer nooit onder in water. Onthoud dat de mixer een elektrisch apparaat is.

BEWAREN

Verwijder de hulpstukken elke keer dat u klaar bent met de handmixer.

Als u de mixer niet gebruikt, zet deze dan op de houder (6).

OPMERKING: Koppel de handmixer altijd los van de stroomtoevoer terwijl deze niet in gebruik is.

TECHNISCHE SPECIFICATIES

TECHNISCHE GEGEVENS

Nominale spanning EUROPA	220-240V- 50-60Hz
Nominale spanning VS	120V- 60Hz
Nominaal vermogen EUROPA	185 Watts
Nominaal vermogen VS	160 Watts
Snoerlengte	ongeveer. 160cm (USA) ongeveer. 120cm (EU)

FABRIEKSGARANTIE VOOR DE VS EN CANADA, DE EU EN ZWITSERLAND.

Garantie: BODUM® AG Zwitserland biedt een garantie van twee jaar vanaf de datum van originele aankoop op de BISTRO Handmixer. Deze garantie dekt gebrekkig materiaal en storingen die het gevolg zijn van gebreken in het ontwerp of de fabricage. Reparaties worden kosteloos uitgevoerd als er aan alle garantievoorwaarden wordt voldaan. Er vindt geen restitutie plaats.

Garantiegever: BODUM® (Schweiz) AG, Kantonstrasse 100, Postfach 463, 6234 Triengen.

Garantievoorwaarden: Het garantiecertificaat moet door de verkoper worden ingevuld op het moment van verkoop. U moet het garantiecertificaat tonen om aanspraak te kunnen maken op garantieservices. Mocht uw BODUM® product garantieservice nodig hebben, neem dan contact op met uw BODUM® verkooppunt, een BODUM® winkel, uw landelijke BODUM® distributeur, of bezoek www.bodum.com.

BODUM® geeft geen garantie af voor schade als gevolg van onjuist gebruik, onjuiste behandeling, normale slijtage, onvoldoende of verkeerd onderhoud of verzorging, verkeerde bediening of gebruik van het apparaat door onbevoegde personen.

Deze fabrieksgarantie heeft geen invloed op uw wettelijke rechten onder de toepasselijke nationale wetgeving, noch op uw rechten ten opzichte van de dealer als gevolg van de verkoop/aankoopovereenkomst.

MILIEUVRIENDELIJKE AFVALAFVOER

Deze markering geeft aan dat dit product niet mag worden weggegooid met ander huishoudelijk afval in de EU. Om mogelijke schade aan het milieu of de menselijke gezondheid door ongecontroleerde afvalverwijdering te voorkomen, moet het verantwoord gerecycled worden om het duurzaam hergebruik van materialen te bevorderen. Om uw gebruikte apparaat in te leveren, kunt u gebruik maken van teruggave- en inzamelsystemen of neem contact op met de winkel waar het product is gekocht. Zij kunnen dit product innemen voor milieuvriendelijk recycling.

SVENSKA

Gratulerar! Du är nu en stolt ägare av en BODUM® elektrisk BISTRO elvisp. Var vänlig läs dessa instruktioner noggrant innan du börjar använda din elvisp.

SV

VIKTIGA SÄKERHETSANVISNINGAR

Iakttag alltid de grundläggande säkerhetsprinciperna för bruk av elektriska apparater, inklusive de följande.

- Läs dessa anvisningar noggrant innan du använder kaffebryggaren.
- Var vänlig läs all information noggrant innan du använder din utrustning för första gången. Att inte följa instruktionerna och säkerhetsvarningarna kan resultera i farliga situationer.
- Missbruk kommer att orsaka potentiell skada.
- När du väl har packat upp utrustningen, kontrollera att den inte har skador. Använd den inte ifall du inte är säker på att allt är som det ska vara. I så fall, var vänlig kontakta din återförsäljare.
- Spara allt förpackningsmaterial (kartong, plastpåsar, etc.) utom räckhåll för barn (risk för kvävning eller skada).
- Denna elvisp är enbart avsedd för användning i hushåll. Använd den inte utomhus.
- Använd inte utrustningen på eller nära påslagen gas- eller elektrisk spis eller i uppvärmd ugn.
- Tillverkaren ansvarar inte för skadegörelse eller för skador orsakade av felaktig användning eller användning som ej överensstämmer med dessa instruktioner. Använd enbart denna utrustning för det den är avsedd för.
- Tillåt inte barn att leka med denna utrustning.

- Denna apparat får inte användas av barn. Håll apparaten och dess sladd utom räckhåll för barn.
- Apparater får användas av personer med nedsatt fysiskt, sensorisk eller mental förmåga eller med bristande erfarenhet och kunskap om de har fått handledning eller information om hur man använder apparaten på ett säkert sätt och om de förstår de faror som finns.
- Dra alltid ut kontakten från eluttaget om apparaten lämnas obevakad.
- Rör aldrig utrustningen med fuktiga eller våta händer. Rör aldrig heller stickkontakten och koppla ej in utrustningen då dina händer är fuktiga eller våta.
- Använd inte några tillbehör som inte har rekommenderats av tillverkaren av utrustningen. Felaktiga kombinationer kan leda till eldsvåda, elchock eller skador.
- Doppa aldrig motordelen i vatten. Kom alltid ihåg: din elvisp är en elektrisk utrustning.
- För att rengöra utrustningen, använd alltid enbart en fuktig rengöringstrasa. Ta bort visparna från elvispen före diskning.
- För hastighetsregleringsknappen till position «0» och dra ut kontakten för att stänga av den.
- Håll i kontakten när du ska dra ut den från eluttaget, inte i sladden.
- Se till att elsladden inte hänger ned från bordet eller arbetsytan och hindra den också från att komma i kontakt med heta ytor, inklusive spisen.
- Koppla ur elvispen från eluttaget närhelst den inte används, om du vill montera eller ta bort tillbehör eller rengöra utrustningen.
- En elektrisk utrustning får under inga förhållanden startas om dess elsladd eller kontakt är skadad, efter att den fungerat dåligt eller om utrustningen har skadats på något annat sätt. I sådana fall, ta alltid utrustningen till närmaste

auktoriserade serviceställe för undersökning, reparation eller justering.

- Försök aldrig att byta elsladden på din utrustning eftersom specialverktyg krävs för att göra detta på ett riktigt sätt. Låt enbart sådana reparationer och utbyten av elsladdar utföras av ett av tillverkaren auktoriserat serviceställe för att vara garanterad att din utrustning är fortsatt säker att använda.
- Doppa aldrig elsladdar, motordelar eller kontakter i vatten eller annan vätska, eftersom detta kan orsaka eldsvåda, elchock eller skador.
- Använd försiktighet: För att förhindra risken att säkerhetsavstängningen återaktiverar utrustningen, får utrustningen inte vara ansluten till elektricitet via en extern kopplingsanordning, såsom en timer eller vara förbunden med en effektkrets som regelbundet sätts på eller av, av kraftbolaget.
- Utrustningen får inte vara ansluten till elnätet medan den rengörs.
- Vidrör inte några roterande delar.
- Håll kläder, smycken, fingrar, hår och redskap borta från roterande delar för att förhindra allvarliga personskador och skador på enheten.
- Vid blandning av vätska, och särskilt het vätska, använd en hög behållare eller minska mängden vätska du blandar för att förhindra risk för stänk.
- Se till att hastighetsreglaget står i läge 0 och att utrustningen inte är ansluten innan du rengör eller stänger av den.
- Låt aldrig utrustningen vara igång utan tillsyn.
- Stäng av enheten och koppla från den innan du byter tillbehör eller berör rörliga delar.

• **SPARA DESSA INSTRUKTIONER.**

Behåll denna bruksanvisning för framtida referens.

ENDAST FÖR HUSHÅLLSBRUK

INSTALLATION

Placera alltid utrustningen på ett stabilt, jämnt underlag. Det får inte heller vara varmt eller befinna sig nära en het källa. Ytan måste vara torr. Förvara alltid utrustningen och sladden utom räckhåll för barn.

Försäkra dig om att spänningsinformationen på utrustningens tryckta etikett är samma som nätspänningen i din region. Utrustningen får endast anslutas till ett korrekt jordat eluttag på minst 6A (om du använder en jordfelsbrytare, vänligen fråga din elektriker om råd). Medan utrustningen används, måste eluttaget finnas inom räckhåll vid händelse av olycka. Tillverkaren är inte ansvarig för olyckor på grund av bristfällig jordning eller frånvaro av jordning.

Ifall vägguttaget inte passar med utrustningens stickkontakt, vänligen få den utbytt av en behörig elektriker.

SPECIALINSTRUKTIONER

ELSLADD

Förutsatt att säkerhetsåtgärderna följs, är det möjligt att använda förlängningssladd.

Om du använder förlängningssladd, måste de elektriska nominella värdena för förlängningssladden minst motsvara de för utrustningen. Om utrustningen är jordad, måste förlängningssladden vara en tre-stifts jordad sladd. Den längre kabeln måste placeras på så sätt att den inte hänger ut över kanten på bordet eller arbetsytan. Se också till att barn eller andra individer inte kan dra i den eller snubbla över den.

INNAN DU BÖRJAR ANVÄNDA ELVISPEN

Torka av elvispen innan första användningen. Se Kapitel "Underhåll och skötsel".

TILLBEHÖR

Din elvisp levereras med två olika tillbehör.

VISPAR (3)

Visparna ger din bearbetade massa en finare textur och förebygger klumpbildning. De kan användas för att förbereda pudding, majonnäs, för att vispa äggvitor eller vispa grädde.

DEGKROKAR (4a, 4b)

Degkrokarna är särskilt användbara vid olika typer av degar - såsom till bröd eller med jäst.

HASTIGHETSINSTÄLLNINGAR

Vänligen gör din hastighetsinställning baserad på följande instruktioner:

TIPS: Konsistensen på al typ av massa kan ändras närhelst du lägger till ingredienser. Följaktligen bör du använda antingen ett högre eller lägre hastighetsläge.

HASTIGHET 0

Utrustningen är avstängd i detta läge. Sätt alltid utrustningen i detta läge vid rengöring och vid förvaring samt, naturligtvis, för att koppla ur den.

HASTIGHET 1

För degknådning och blandning.

HASTIGHET 2

För sås och pudding.

HASTIGHET 3

För förberedelse av olika typer av bakningsblandning.

HASTIGHET 4

För att vispa smör och socker, sockerkakssmet, kakmixer och sockerglasyr.

HASTIGHET 5

För att vispa lätta och luftiga massor som potatismos eller ägg.

HUR DU ANVÄNDER DIN ELVISP

ATT MONTERA TILLBEHÖR

Innan du börjar montera dina tillbehör, se till att hastighetsreglaget (1) står i läge 0 och att din utrustning är urkopplad.

Sätt i önskat/önskade tillbehör i införingshålen (5) tills de klickar på plats.

Om du använder degkrokarna (4a, 4b) ser till att du trycker in dem i rätt hål (5). Vänster degkrok (4a) passar bara i vänster hål (5) med synligt steg i hålet.

De båda visparna (3) passar i bägge hålen (5).

ATT ANSLUTA STRÖMMEN

Innan du ansluter utrustningen till eluttaget, måste tillbehören först installeras.

Innan du ansluter elvispen till eluttaget, se till att hastighetsreglaget (1) helt säkert står i läge 0.

BLANDNINGSPROCESS

VIKTIGT: När elvispen har körts kontinuerligt i 4 minuter, måste den vara avstängd i 2 minuter för att förhindra att motorn överhettas.

Häll ingredienserna i en bunke. Om du använder bunkar av glas eller porslin, se till att tillbehören inte kommer i kontakt med sidorna eller botten på bunken.

Sänk ner elvispens tillbehör i massan och välj önskad hastighetsinställning (1). Se Kapitel "Hastighetsinställningar".

För att undvika stänk, se till att tillbehören alltid hålls nedsänkta i massan under blandningen.

Vid slutförandet av blandningsprocessen, sätt hastighetsreglaget (1) i läge 0 och koppla ur utrustningen.

Om du inte behöver använda vispen längre, placera den på stativet (6) med dess fyra halksäkra silikon-fötter.

ATT TA BORT TILLBEHÖREN

Ta inte bort elvispens tillbehör förrän du har ställt hastighetsreglaget (1) i läge 0 och kopplat ur utrustningen.

Tryck på upplåsningsknappen(2) för att ta bort tillbehören. Se till att du håller tillbehören i dess axlar.

OBSERVERA: För din säkerhets skull, kan tillbehören enbart lossas om du har ställt hastighetsreglaget (1) i läge 0.

UNDERHÅLL OCH SKÖTSEL

Innan du rengör elvispen, koppla ur den.

Använd inte några starka rengöringsmedel.

RENGÖRING AV TILLBEHÖR

Du kan ta bort eventuellt överflöd av mat från tillbehören med en slickepott av gummi eller plastmaterial.

Du kan rengöra tillbehören för hand eller i diskmaskin.

All reparation måste utföras av ett auktoriserat servicecenter.

ATT RENGÖRA MASKINDELEN

Använd enbart en fuktig duk för eventuell rengöring av maskindelen av elvispen.

Doppa aldrig ned maskindelen, stickkontakten eller elsladden i vatten. Kom alltid ihåg, din elvisp är en elektrisk utrustning.

FÖRVARING

Ta bort tillbehören varje gång du är färdig med användningen av elvispen.

När den inte används, placera elvispen på stativet (6).

OBSERVERA: Koppla alltid ur elvispen från elnätet när den inte används.

TEKNISKA SPECIFIKATIONER

TEKNISKA DATA

Nominell spänning EUROPA	220-240V- 50-60Hz
Nominell spänning USA	120V- 60Hz
Nominell effekt EUROPA	185 Watts
Nominell effekt USA	160 Watts
Sladdlängd	ca. 160cm / 63tum (USA) ca. 120cm / 47tum (EU)

TILLVERKARGARANTI FÖR USA OCH CAN, EU OCH CH.

Garanti: BODUM® AG, Schweiz, ger köparen av den BISTRO Manuell elvisp en garantiperiod på två år från det ursprungliga inköpsdatumet. Garantin omfattar materialdefekter och funktionsfel som kan spåras till defekter i utformning eller tillverkning. Reparationer utförs utan kostnad om alla garantivillkor uppfylls. Återbetalning erbjuds inte.

Garanten: BODUM® (Schweiz) AG, Kantonsstrasse 100, Postfach 463, 6234 Triengen.

Garantivillkor: Garantin måste fyllas i av säljaren vid tidpunkten för köpet. Du måste uppvisa garantibeviset att få garantitjänster. Skulle din BODUM®-produkt kräva garantiservice, kontakta din BODUM®-återförsäljare, en BODUM®-butik, ditt lands BODUM®-grossist, eller besök www.bodum.com.

BODUM® kommer inte ge garanti för skador som uppstått på grund av felaktig användning, felaktig hantering, normalt slitage, bristfälligt eller felaktigt underhåll eller skötsel, felaktig drift eller användning av apparaten av obehöriga personer.

Denna tillverkargaranti påverkar inte dina lagstadgade rättigheter under tillämplig nationell lagstiftning som är i kraft, eller din rätt mot försäljaren som härrör från deras försäljning-/köpekontrakt.

MILJÖVÄNLIG AVFALLSHANtering



Det är olagligt att kasta elektriska apparater som är defekta eller föråldrade tillsammans med det vanliga avfallet. De måste tas om hand separat. Konsumenterna har möjlighet att lämna sådana anordningar gratis på återvinningscentraler. Ägare av sådana anordningar måste föra dem till samlingsplatser eller ställa ut dem när respektive samlingar sker. Genom att göra denna mindre personliga insats, bidrar du till att värdefulla råvaror återvinns och föroreningar hanteras korrekt.

PORTUGUÊS

Parabéns! É agora o feliz proprietário da batedeira eléctrica **BISTRO da BODUM®**. Leia estas instruções com atenção antes de utilizar a batedeira.

PT

ADVERTÊNCIAS DE SEGURANÇA IMPORTANTES

Sempre que usar aparelhos eléctricos, siga as precauções de segurança básicas, incluindo as seguintes.

- Leia todas as instruções deste manual.
- Leia todas as instruções antes de utilizar este aparelho pela primeira vez. O não cumprimento das instruções e das informações de segurança pode resultar em situações perigosas.
- O uso indevido pode provocar potenciais ferimentos.
- Depois de retirar o aparelho da embalagem, verifique se há sinais de danos. Se tiver dúvidas, não utilize o aparelho e contacte o seu revendedor.
- Mantenha o material da embalagem (caixa, saco de plástico) fora do alcance das crianças (perigo de asfixia ou lesões).
- Esta batedeira foi concebida apenas para uso doméstico. Não utilize o aparelho no exterior.
- Não coloque o aparelho sobre ou na proximidade de um fogão a gás ou eléctrico ligado, ou num forno pré-aquecido.
- O fabricante não é responsável por danos ou ferimentos causados por um uso inadequado ou impróprio. Utilize este aparelho apenas para os fins previstos.
- As crianças são proibidas de brincar com este aparelho.
- Este aparelho não deve ser utilizado por crianças. Mantenha o aparelho e o fio fora do alcance das crianças.

Manual de instruções

Manuell elvisp

- Este aparelho não se destina a ser utilizado por pessoas (incluindo crianças) com capacidades físicas, sensoriais ou mentais reduzidas, ou com falta de experiência e conhecimento, a menos que tenham recebido supervisão ou instruções relativas à utilização do aparelho por uma pessoa responsável pela sua segurança.
- Desligue sempre o aparelho da corrente quando for deixado sem vigilância.
- Não toque no aparelho com as mãos húmidas ou molhadas. Não toque no fio de alimentação ou na tomada com as mãos molhadas.
- Não utilize acessórios que não sejam recomendados pelo fabricante do aparelho. Isto pode resultar num incêndio, choque eléctrico ou lesão.
- Não coloque o compartimento do motor na água! Não se esqueça que se trata de um aparelho eléctrico.
- Para limpar o aparelho, utilize apenas um pano húmido. Remova as varinhas da batedeira antes de lavar.
- Coloque o selector de velocidade na posição «0» e desligue o aparelho da corrente para desligá-lo completamente.
- Segure na tomada e não no fio de alimentação para desligar o aparelho da corrente eléctrica.
- Certifique-se de que o fio de alimentação não está pendurado sobre a borda da mesa ou do plano de trabalho e certifique-se de que este não está em contacto com superfícies quentes, como o seu fogão.
- Desligue a batedeira quando esta não é utilizada, se fixar ou retirar acessórios ou antes de limpar o aparelho.
- Não coloque aparelhos eléctricos em funcionamento se o fio de alimentação ou a tomada estiverem danificados, após uma disfunção ou se o aparelho foi danificado de alguma forma. Neste caso, leve o aparelho ao centro de serviço autorizado mais próximo para verificar, reparar ou ajustar o seu aparelho.

- Nunca tente substituir o fio de alimentação do aparelho uma vez que este requer ferramentas especiais. Certifique-se sempre de que o aparelho foi reparado ou o fio de alimentação substituído por um centro de serviço autorizado pelo fabricante, a fim de garantir a segurança do aparelho.
- Não mergulhe o fio de alimentação, o compartimento do motor e a tomada na água ou outros líquidos, pois isso poderia causar incêndios, choques eléctricos ou lesões.
- Advertência: Para prevenir o risco da segurança desligar a reactivação do dispositivo, o dispositivo não deve estar ligado à alimentação através de um dispositivo de comutação externo, como um temporizador ou ligado a um circuito de alimentação que é regularmente activado ou desactivado pela companhia de electricidade.
- Este aparelho deve estar desligado da corrente eléctrica durante a limpeza.
- Não toque nas partes rotativas.
- Mantenha a roupa, a bijutaria, os dedos, o cabelo e os utensílios longe de todas as peças rotativas para prevenir lesões graves e danos no aparelho.
- Quando misturar líquidos, em particular líquidos quentes, utilize um grande recipiente ou reduza a quantidade de líquidos a serem misturados para prevenir salpicos.
- Certifique-se de que o selector de velocidade está na posição 0 e que o dispositivo está desligado da tomada antes de ligá-lo ou desligá-lo.
- Nunca deixar o aparelho em funcionamento sem vigilância.
- Desligue o aparelho e retire a ficha da tomada antes de substituir acessórios e de tocar em componentes que se movem durante a utilização.

• **GUARDE ESTE MANUAL DE INSTRUÇÕES.**

Guarde estas instruções de utilizador para referência futura.

APENAS PARA UTILIZAÇÃO DOMÉSTICA

INSTALAÇÃO

Coloque o aparelho sobre uma superfície estável e plana, não quente e nem localizada perto de uma fonte de calor. A superfície deve estar seca. Mantenha o aparelho e o fio de alimentação fora do alcance das crianças.

Certifique-se de que a tensão estipulada na placa de identificação da batedeira está em conformidade com a tensão da sua região. O aparelho só deve ser ligado a uma tomada de parede ligada à terra com uma saída de pelo menos 6A (utilize um disjuntor diferencial com corrente de defeitos [RCD], peça conselho a um electricista). Aquando da utilização do aparelho, a tomada da parede deve ter um acesso fácil em caso de emergência. O fabricante não assume qualquer responsabilidade por acidentes resultantes de uma ligação à terra defeituosa ou da ausência da ligação à terra.

Se a tomada da parede não for compatível com a tomada do aparelho, a tomada deverá ser substituída por um electricista autorizado.

INSTRUÇÕES PARTICULARES

FIO DE ALIMENTAÇÃO

Uma extensão pode ser utilizada com a prudência apropriada necessária.

Se for necessário utilizar uma extensão, os valores nominais eléctricos indicados na extensão devem ser pelo menos equivalentes aos do dispositivo; se o dispositivo estiver

ligado à terra, a extensão deve ter pelo menos 3 fios. O fio mais comprido deve ser colocado de forma a não pender sobre a borda da mesa ou da superfície de trabalho e de forma a que as crianças não possam puxar nele. Também deve ser posicionado de forma a que ninguém possa tropeçar nele.

ANTES DE UTILIZAR A BATEDEIRA

Limpe a batedeira antes da primeira utilização. Consulte a secção "Limpeza e manutenção".

ACESSÓRIOS

A sua batedeira inclui dois acessórios diferentes.

VARINHAS DE BATER (3)

As varinhas de bater tornam a textura da sua massa mais fina e impedem a formação de aglomerados. Estas podem ser usadas para preparar pudins, maionese, para bater claras de ovos ou natas.

VARINHAS DE AMASSAR (4a, 4b)

As varinhas de amassar são particularmente úteis para fazer diferentes tipos de massa –como o pão com adição de fermento.

AJUSTE DA VELOCIDADE

Escolha a velocidade com base nas seguintes instruções:

NOTA: A consistência da massa pode mudar quando adiciona ingredientes. Por consequência deve usar uma velocidade maior ou menor.

VELOCIDADE 0

O dispositivo está desligado nesta posição. Coloque sempre o dispositivo nesta posição para limpá-lo ou armazená-lo e não se esqueça de o desligar.

VELOCIDADE 1

Para amassar e misturar.

VELOCIDADE 2

Para molhos e pudins.

VELOCIDADE 3

Para a preparação de uma variedade de misturas de panificação.

VELOCIDADE 4

Para bater manteiga e açúcar, massa para bolos e misturas.

VELOCIDADE 5

Para bater massas leves e arejadas como puré de batatas ou ovos.

COMO UTILIZAR A BATEDEIRA**MONTAGEM DOS ACESSÓRIOS**

Antes de montar os acessórios, certifique-se de que o selector de velocidade (1) está na posição 0 e que o seu dispositivo está desligado.

Insira os acessórios desejados nos orifícios de inserção (5) até estarem fixados no lugar.

Se utilizar as varinhas de amassar (4a, 4b) certifique-se de que as inseriu no orifício apropriado (5). A varinha de amassar esquerda (4a) só encaixa no orifício esquerdo (5) com o passo visível no buraco.

As duas varinhas de bater (3) encaixam em ambos os orifícios (5).

LIGAR À CORRENTE

Antes de ligar o dispositivo à corrente eléctrica, deve instalar primeiro os acessórios.

Antes de ligar a batedeira à corrente eléctrica, certifique-se de que o selector de velocidade (1) está na posição 0.

PROCESSO DE MISTURA

IMPORTANTE: Quando a batedeira é utilizada durante 4 minutos seguidos, esta deve ser desligada durante 2 minutos para evitar um sobreaquecimento do motor.

Coloque os ingredientes num recipiente. Se o recipiente for de vidro ou porcelana, certifique-se de que os acessórios não entram em contacto com os lados e o fundo do recipiente.

Mergulhe os acessórios na massa e escolha a velocidade apropriada (1). Consulte o capítulo "Ajuste da velocidade".

Para prevenir salpicos, certifique-se de que os acessórios permanecem imersos na massa durante a mistura.

Quando terminar o processo de mistura, coloque o selector de velocidade (1) em 0 e desligue o dispositivo.

Quando não utilizar a batedeira, coloque-a no suporte (6) dotado de quatro pés de silicone anti-deslizantes.

REMOVER OS ACESSÓRIOS

Não remova os acessórios da batedeira sem colocar o selector de velocidade (1) em 0 e desligar o dispositivo.

Carregue no botão de desbloqueio (2) para remover os acessórios. Deve segurar os acessórios pelo eixo.

NOTA: Para sua segurança, deve desbloquear os acessórios somente quando o selector de velocidade (1) estiver em 0.

LIMPEZA E MANUTENÇÃO

Desligue a batedeira antes de efectuar a limpeza.

Não utilize substâncias de limpeza abrasivas.

LIMPEZA DOS ACESSÓRIOS

Pode remover qualquer excesso de comida dos acessórios com uma espátula de borracha ou plástico.

Pode lavar os acessórios à mão ou na máquina de lavar a loiça.

Qualquer reparação deve ser efectuada por um centro de serviço autorizado.

LIMPEZA DA CAIXA MOTOR

Utilize apenas um pano húmido para limpar a parte externa da caixa motor.

Nunca mergulhe a caixa motor, a tomada e o fio de alimentação na água. Lembre-se que a batedeira é um aparelho eléctrico.

ARMAZENAMENTO

Remova os acessórios após a respectiva utilização.

Quando não utilizada, coloque a batedeira no suporte (6).

NOTA: Desligue sempre a batedeira da corrente eléctrica quando não for utilizada.

ESPECIFICAÇÕES TÉCNICAS

DADOS TÉCNICOS

Tensão nominal EUROPA	220-240V- 50-60Hz
Tensão nominal USA	120V- 60Hz
Tensão nominal de saída EUROPA	185 Watts
Tensão nominal de saída USA	160 Watts
Comprimento do fio	aprox. 160cm / 63in (USA) aprox. 120cm / 47inches (EU)

GARANTIA DO FABRICANTE PARA OS EUA E CANADÁ, UE E SUÍÇA.

Garantia: A BODUM® AG, Suíça, oferece garantia para a Batedeira de mão BISTRO durante o período de dois anos a partir da data original da compra contra materiais defeituosos e mau funcionamento que possam ser apontados em defeitos no design ou na fabricação. As reparações são efetuadas gratuitamente se todas as condições de garantia estiverem satisfeitas. Não são efetuados reembolsos.

Garantidor: BODUM® (Schweiz) AG, Kantonsstrasse 100, Postfach 463, 6234 Triengen.

Condições de garantia: O certificado de garantia deve ser preenchido pelo vendedor no momento da compra. Deve apresentar o certificado de garantia para obter os serviços de garantia. Se o seu produto BODUM® necessita de um serviço de garantia, contacte o seu revendedor BODUM®, uma loja BODUM®, o distribuidor BODUM® do seu país, ou visite www.bodum.com.

BODUM® não garante danos que resultam de um uso inadequado, manuseio inadequado, desgaste normal, manutenção inadequada ou incorrecta, funcionamento incorrecto ou utilização incorrecta do aparelho por pessoas não autorizadas.

Esta garantia do fabricante não afecta os seus direitos legais provenientes das leis aplicáveis, nem os seus direitos em relação ao revendedor, decorrentes do contrato de venda/compra.

ELIMINAÇÃO ECOLÓGICA



Agora é ilegal eliminar dispositivos eléctricos que são defeituosos ou obsoletos juntamente com o lixo doméstico. Estes devem ser eliminados de forma separada. Os consumidores podem deixar estes dispositivos em centros de recolha de forma gratuita. Os proprietários destes dispositivos são obrigados a levá-los para centros de recolha ou pontos de recolha. Ao fazer este pequeno esforço pessoal, está a contribuir para garantir a reciclagem de bens e o tratamento de contaminantes de forma adequada.

SUOMI

Congratulations! You are now the proud owner of a **BODUM® electric BISTRO hand mixer**. Please read these instructions carefully before using your hand mixer.

FI

TÄRKEÄT TURVALLISUUSOHJEET

Sähkölaitteita käytettäessä on otettava huomioon seuraavat perusturvallisuusohjeet.

- Lue nämä ohjeet huolellisesti ennen käyttöä.
- Lue kaikki tiedot perusteellisesti ennen kuin käytät laitettasi ensimmäistä kertaa. Kaikkien ohjeiden ja turvallisuustietojen noudattamatta jättäminen voi aiheuttaa vaarallisia tilanteita.
- Väärinkäyttö voi aiheuttaa mahdollisia vammoja.
- Kun kerran olet poistanut laitteen pakkauksesta, tarkista vahinkojen vuoksi. Älä käytä sitä jos et ole varma, onko kaikki täysin kunnossa. Tässä tapauksessa ota yhteys jälleenmyyjään.
- Varastoi kaikki pakkausmateriaalit (laatikko, muovipussit, jne) poislastenulottuvuudelta (tukehtumistaivammautumisvaara).
- Tämä käsisekoitin on tarkoitettu vain kotitalouskäyttöön. Älä käytä sitä ulkona.
- Älä aseta laitetta päällekytketyn kaasulähteen tai sähkölähteen päällä tai vieressä tai esilämmitetyssä uunissa.
- Valmistaja ei ota mitään vastuuta vahingoista tai vammautumisista, jotka johtuvat epäsoveluksesta käytöstä tai käytöstä, joka ei mukaudu näihin ohjeisiin. Käytä tätä laitetta vain tarkoituksenmukaisesti.
- Älä anna lasten leikkiä tällä BISTRO Vakiomikserillä.
- Lapset eivät saa käyttää tätä laitetta. Pidä laite ja sen johto pois lasten ulottuvilta.

- Laitteita voivat käyttää henkilöt, joilla on vähentyneet fyysiset, aistilliset tai henkiset kyvyt tai joilla ei ole kokemusta tai tuntemusta, jos heitä tarkkaillaan tai ohjataan laitteen turvalisessä käytössä ja jos he ymmärtävät siihen liittyvät vaarat.
- Poista laite aina virrasta, jos sitä ei valvota.
- Älä koske laitteeseen kosteilla tai märillä käsillä. Älä myöskään koske sähköjohtoon tai laitteen pistokkeeseen kun kätesi ovat kosteat tai märät.
- Älä käytä sellaisia varaosia, joita laitteen valmistaja ei suosittele. Vääränlainen yhdistelmä voi johtaa tulipaloon, sähköiskuun tai vammoihin.
- Älä koskaan upota moottorin runkoa veteen. Muista aina: käsisekoittimesi on sähkölaite.
- Puhdistat laitteen aina vain kostealla kankaalla. Poista vatkin sekoittimesta ennen pesua.
- Työnnä nopeudensäädin kohtaan "0" ja vedä laite pistokkeesta pois sen poiskytkemiseksi.
- Vedä pistoketta seinästä, älä sähköjohdosta sen sähkövirrasta pois kytkemiseksi.
- Varmista, että sähköjohto ei roiku alas pöydältä tai työpinnalta ja ehkäise myös sen koskeminen kuumiin pintoihin, mukaan lukien uunin.
- Vedä käsisekoitin pois virrasta sen ollessa pois käytöstä, jos haluat kiinnittää tai poistaa varaosan tai puhdistaa laitteen.
- Älä missään tapauksessa käynnistä sähkölaitetta, jos sen sähköjohto tai pistoke on vahingoittunut, kun siinä on ollut toimintahäiriötä tai jos laite on vahingoittunut millään tavalla. Sellaisessa tapauksessa on laite aina vietävä lähimpään valtuutettuun huoltokeskukseen tarkistettavaksi, korjattavaksi tai säädettäväksi.
- Älä koskaan yritä vaihtaa laitteen sähköjohtoa, koska se vaatii erikoisvälineitä. Anna sellaiset korjaukset ja sähköjohdon vaihtotyöt valmistajan valtuuttaman huoltokeskuksen hoitaa

sen varmistamiseksi, että laitteesi pysyy toimintakunnossa.

- Älä upota sähköjohtoja, moottorin koteloa ja pistokkeita veteen tai muuhun nesteeseen, koska se voi aiheuttaa tulipaloja, sähköiskuja tai vammoja.
- Varoitus: Ehkäiset turvallisuus sulun laitteen uudelleenaktivoimisen riskin siten, että liität laitteen virtaan ulkoisen kytkinlaitteen kautta, kuten ajastimen tai liität sen virtapiiriin jonka voimayhtiö kytkee säännöllisesti päälle tai pois.
- Laitetta ei saa kytkeä päävirtaan sen puhdistamisen aikana.
- Älä koske mihinkään pyörivään osaan.
- Pidä vaatteitasi, korujasi, sormiasi, hiuksiasi ja välineitäsi pyörivistä osista kaukana vakavien vammautumisten välttämiseksi ihmisille ja vahinkojen laitteelle.
- Nesteitä, ja erityisesti kuumia nesteitä sekoitettaessa käytä korkeaseinäistä astiaa tai vähennä nesteen määrää sekoituksen yhteydessä roiskumisriskin ehkäisemiseksi.
- Varmista, että nopeuden asetus on 0-asetuksessa ja että laite on poistettu virrasta ennen kuin puhdistat sen tai kytket sen pois.
- Älä anna laitteen olla käynnissä ilman valvontaa.
- Ennen kuin vaihdetaan lisätarvikkeita tai -osia, jotka liikkuvat käytön aikana, täytyy laite kytkeä pois päältä ja irrottaa verkkovirrasta.

• TALLENNA NÄMÄ OHJEET.

Säilytä nämä ohjeet myöhemmä käyttöä varten.

VAIN KOTITALOUSKÄYTTÖÖN

ASENNUS

Sijoita laite aina vakaalle, tasaiselle pinnalle. Se ei saa olla kuuma, eikä olla lämpölähteen lähellä. Pinnan on oltava kuiva. Varastoi aina laitetta ja sähköjohtoa pois lasten ulottuvuudelta.

Varmista, että laitteen tyyppietiketissä olevat jännitetiedot mukautuvat alueesi pääjännitteeseen. Laite on liitettävä ai-noastaan sopivasti maadoitettuun pistokkeeseen, jossa on ainakin 6A lähtö (jos käytät nopeutta hallitsevaa pistoketta (RCD), kysy neuvoa sähkömieheltäsi). Laitteen ollessa käytössä on virtapistokkeen oltava helposti saavutettavissa hätätilan tapauksessa. Valmistaja ei ota vastuuta vahingoista, jotka sattuvat huonosta maadoituksesta tai maadoituksen puutteesta.

Jos pistorasia ei sovi laitteesi pistokkeeseen, pyydä pätevän sähkömiehen vaihtaa se.

ERIKOISOHJEET**SÄHKÖJOHTO**

Jos mukaudutaan sovellettaviin varoimenpiteisiin on mahdollista käyttää pidennysjohtoa.

Jos käytät pidennysjohtoa, pidennysjohdon sähköisten nimellisarvojen on oltava ainakin laitteen kanssa samat. Jos laite on maadoitettu, pidennysjohdon on oltava kolmipiikkinen maadoitusjohto. Pidempi johto on sijoitettava siten ettei se ulotu työpinnan pöydän reunan yli. Varmista myös ettei lapset tai muut yksilöt pysty vetämään sitä tai kompastumaan siihen.

ENNEN KÄSI-SEKOITTIMEN KÄYTTÖÄ

Pudhista käsisekoittimesi ennen sen ensimmäistä käyttöä. Katso Kappaletta "Ylläpito ja huolto".

LIITTEET

Käsisekoittimesi annetaan kahdella eri liitteellä.

JAUHIMET (3)

Jauhimet antavat käsitellylle massallesi hienomman koostumuksen ja ehkäisevät möhkäleiden muodostumisen. Sitä voidaan käyttää vanukkaan, majoneesin valmistamiseen, kananmunan tai kerman vatkaamiseen.

TAIKINAKOUKUT (4a, 4b)

Taikinakoukut ovat erityisen avukkaat, jos valmistat erityyppistä taikinaa - kuten leipä tai hiivalla.

NOPEUDEN ASETUKSET

Valitse nopeusasetuksesi seuraaviin ohjeisiin perustuen:

VIHJE: Kaiken massan koostumus saattaa muuttua aina, kun lisää lisäaineen. Tällöin on käytettävä joko korkeampaa tai matalempaa nopeusasetusta.

NOPEUS 0

Laite on kytketty pois tässä asennossa. Sijoita laite aina tähän asentoon sen puhdistamiseksi tai varastoimiseksi ja tietenkin, vedä johto pistorasiasta.

NOPEUS 1

Taikinan vaivaamiseksi ja sekoittamiseksi.

NOPEUS 2

Soseisiin ja vanukkaisiin.

NOPEUS 3

Erilaisten paistamisseosten esivalmistamiseksi.

NOPEUS 4

Voin ja sokerin jauhaamiseksi, enkeliruokakakkutaikinalle, kakkuseoksilla ja sokerikuorrutukselle.

NOPEUS 5

Keveiden ja ilmavien massojen vatkaamiseksi, kuten perunamuussien tai kananmunien.

MITEN KÄYTÄT KÄSISEKOITINTASI**KIINNITETTÄVÄT LIITTEET**

Ennenkuin kiinnität liitteesi varmista, että nopeuden asetus (1) on 0-asennossa ja että laitteesi on kytketty pois virrasta.

Työnnä haluamasi liitteet liitosrakoihin (5), kunnes ne naksahtavat paikalleen.

Jos käytät vaivauskoukkuja (4a, 4b) varmista, että liität ne sopiviin aukkoihin (5). Vasen vaivauskoukku (4a) sopii vain vasempaan aukkoon (5) näkyvällä kohdalla aukossa.

Kaksi vispilää (3) sopii molempiin aukkoihin (5).

VIRTAAN KYTKEMINEN

Ennenkuin liität laitteesi virtaan, on liite ensin asennettava laitteeseen.

Ennen kuin käsisekoittimen virtaan, varmista että nopeudensäädin (1) on asetettu varmasti 0-asentoon.

**SEKOITUSPRO-
SESSI**

TÄRKEÄÄ: Kun kerran sekoitin on ollut jatkuvasti käynnissä 4 minuutin ajan, se on kytkettävä pois 2 minuutiksi moottorin ylikuumentumisen ehkäisemiseksi.

Sijoita ainekset sekoituskulhoon. Jos käytät lasista tai posliinista tehtyjä kulhoja, varmista, että liitos ei koske kulhon sivuun tai pohjaan.

Upota sekoittimen liitos massaan ja valitse haluamasi nopeudenasetus (1). Katso Kappaletta "Nopeuden asetukset".

Ehkäiset roiskumisen varmistamalla, että liitokset pysyvät aina upotettuna massaan sekoituksen aikana.

Sekoitusprosessin päättyessä käännä nopeuden hallinta (1) 1-kohtaan ja vedä laite virrasta.

Jos et halua käyttää enää sekoitinta, sijoita alusta (6) sen neljällä liukasesta silikonialustalla.

**LIITTEIDEN
POISTAMINEN**

Älä poista sekoittimen liitettä ennenkuin olet kytkenyt nopeuden hallinnan (1) 0-asentoon ja poistanut laitteen virrasta.

Paina vapautuspainiketta (2) liitteen poistamiseksi. Varmista, että pidät liitettä akselista kiinni.

HUOM Turvallisuutesi vuoksi voidaan liite vapauttaa vain, jos olet kytkenyt nopeudenhallinnan (1) 0-aan.

**YLLÄPITO JA
HUOLTO**

Ennenkuin puhdistat käsisekoittimen, kytke se irti.

Älä käytä mitään kovaa puhdistusainetta.

LIITTEIDEN PUHDISTAMINEN

Voit poistaa kaikki ylimääräiset ruoat liitteestä kumi- tai muovikaapimella.

Voit puhdistaa liitteen käsin tai astianpesukoneessa.

Kaikki korjaukset on suoritettava valtuutetun huoltokeskuksen avulla.

KUOREN PUHDISTAMINEN

Käytä ainoastaan kosteaa kangasta sekoittimen kotelon kaikkien osien puhdistamiseksi.

Älä koskaan upota moottorin koteloa, pääpistoketta tai sähköjohtoa veteen. Muista, että käsisekoittimesi on sähkölaite.

VARASTOINTI

Poista liite aina, kun et enää käytä käsisekoitinta.

Kun se ei ole käytössä, sijoita sekoitin alustalle (6).

HUOM Kytke käsisekoitin aina pois päävirrasta, kun se ei ole käytössä.

TEKNISET TIEDOT

TEKNISET TIEDOT

Nimellinen jännite EUROOPPA	220-240V- 50-60Hz
Nimellinen jännite USA	120V- 60Hz
Nimellinen lähtö EUROOPPA	185 Wattia
Nimellinen lähtö USA	160 Wattia
Johdon pituus	noin 160cm / 63tuumaa (USA) noin 120cm / 47tuumaa (EU)

VALMISTAJAN TAKUU VOIMASSA YHDYSVALLOISSA JA KANADASSA; EU:SSA JA SVEITSISSÄ.

Takuu: BODUM® AG (Sveitsi) myöntää BISTRO Käsisekoitin ostopäivästä lukien kahden vuoden materiaali- ja toimintatakuun, joka kattaa suunnittelu- ja valmistusvirheistä aiheutuneet viat. Korjaus on asiakkaalle ilmainen, mikäli kaikki takuehdot täyttyvät. Hyvitykset eivät ole mahdollisia.

Takaaja: BODUM® (Sveitsi) AG, Kantonsstrasse 100, Postfach 463, 6234 Triengen.

Takuuehdot: Takuutodistuksen on myyjän suoritettava ostoahjella. Sinun on esitettävä takuutodistus hankkiaksesi takuupalveluja. Mikäli BODUM® tuotteesi vaatii takuupalvelua, ota yhteys BODUM® jälleenmyyjäsi, BODUM®-kauppaasi, maasi BODUM® jakelijaan, tai vieraile osoitteessa www.bodum.com.

BODUM® ei tarjoa takuuta sellaisista vahingoista, jotka aiheutuvat valtuuttamattoman henkilön vääränlaisesta käytöstä, vääränlaisesta käsittelystä, normaalista kulumisesta ja repeämisestä, riittämättömästä tai vääränlaisesta ylläpidosta tai huolenpidosta, vääränlaisesta toiminnasta tai laitteen käytöstä.

Tämä Valmistajan Takuu ei vaikuta lailliseen oikeuteesi voimassa olevien sovellettavien kansallislakien alaisena, eikä vaikuta oikeuksiisi jälleenmyyjää vastaan heidän myynti/osto-sopimuksesta.

YMPÄRISTÖYSTÄVÄLLINEN HÄVITYS



Nykyään on laitonta heittää sellaisia sähkölaitteita pois, jotka ovat viallisia tai vanhentuneita yhdessä normaalin jätteen kanssa. Ne on hävitettävä erikseen. Kuluttajalla on mahdollisuus heittää sellaiset laitteet pois yhteisön keräyskeskuksissa ilmaiseksi. Tämänlaisten laitteiden omistajan vaaditaan tuomaan ne keräyspaikoille tai laittamaan ne ulos, kun vastaavia keräyksiä pidetään. Tekemällä tämän pienen henkilökohtaisen ponnistuksen teet oman panostuksesi, joka varmistaa, että arvokkaita hyödykkeitä kierrätetään ja saasteita käsitellään tarkoituksenmukaisesti.

РУССКИЙ

Поздравляем! Теперь и вы являетесь счастливым обладателем электрического ручного миксера BODUM. Перед началом использования ручного миксера внимательно прочитайте данные инструкции.

RU

ВАЖНЫЕ МЕРЫ ПРЕДОСТОРОЖНОСТИ

При пользовании электроприборами всегда соблюдайте основные меры предосторожности, а именно:

- Пожалуйста, внимательно прочитайте это руководство перед использованием.
- Перед началом использования прибора тщательно ознакомьтесь со всеми инструкциями. Несоблюдение данных инструкций и информации по технике безопасности может привести к возникновению опасных ситуаций.
- Неправильное использование может привести потенциальных травм!
- Распаковав прибор, осмотрите его на наличие повреждений. Запрещается использовать прибор, если вы не уверены в его исправности и целостности. В таком случае необходимо связаться со своим продавцом.
- Упаковочные материалы (включая коробку, полиэтиленовые пакеты и др.) необходимо хранить в недоступном для детей месте (во избежание проглатывания или травм во время игры).
- Данный ручной миксер предназначен для использования только в бытовых целях. Запрещается использовать прибор вне помещений.
- Запрещается помещать прибор на или рядом с включенной или разогревающейся газовой/электрической плитой.

- Производитель не несет ответственности за повреждения или травмы, вызванные неправильным использованием прибора, а также несоблюдением настоящих инструкций. Разрешается использовать прибор только по прямому назначению.
- Не позволяйте детям играть с прибором.
- Данный миксер не предназначен для использования детьми. Необходимо хранить прибор и электрический шнур к нему в недоступном для детей месте.
- Прибор и комплектующие не предназначены для использования лицами с ограниченными физическими, умственными или сенсорными способностями или лицами, не имеющими достаточного опыта и знаний, за исключением случаев, когда данные лица получили необходимые инструкции по безопасному использованию прибора и рискам, связанным с его использованием, или когда они используют прибор под присмотром.
- Каждый раз, когда миксер остается без присмотра, его необходимо отключать от питания.
- Запрещается касаться прибора мокрыми или влажными руками. Кроме этого, запрещается касаться шнура электропитания или штепсельной вилки мокрыми руками.
- Запрещается использовать комплектующие, не рекомендованные производителем прибора. Использование неподходящих комплектующих может привести к пожару, поражению электрическим током или другим травмам.
- Запрещается погружать корпус двигателя в воду. Не забывайте: перед вами электрический прибор.
- Для мытья прибора использовать только влажную салфетку! Перед мытьем снять насадки.
- Чтобы выключить миксер, установите регулятор скорости прибора в положение «0» и отключите прибор от сети.

- Чтобы отключить прибор от электропитания, вытягивайте штепсельную вилку, а не шнур.
- Запрещается оставлять электрический шнур несобраным на краю стола или рабочей поверхности, а также допускать его контакт с горячими поверхностями, включая плиту.
- Если ручной миксер не используется, при подсоединении или отсоединении комплектующих, а также перед мытьем прибора, необходимо отключать его от сети.
- Ни при каких условиях не включать электроприбор, если электрический шнур или вилка повреждены, если прибор работал некорректно, а также если он был поврежден другим способом. В таком случае прибор необходимо принести в ближайший авторизованный сервисный центр для проверки, ремонта или регулировки.
- Запрещается самостоятельно заменять шнур электропитания прибора, поскольку для корректной замены требуются специальные инструменты. Для обеспечения безопасной работы прибора ремонт или замена электрического шнура должны выполняться только в сервисном центре, авторизованном производителем.
- Запрещается погружать в воду или другие жидкости электрический шнур, корпус двигателя и вилку, поскольку это может привести к пожару, поражению электрическим током или травмам.
- Внимание: Для предотвращения риска аварийного отключения и повторного включения прибора запрещается подключать прибор к питанию при помощи внешнего переключающего устройства, например, таймера, или по сети, которая регулярно включается или выключается службой энергоснабжения.
- Во время мытья прибор должен быть отключен от сети.
- Не прикасайтесь к вращающимся деталям.

- Для предотвращения тяжелых травм и повреждения прибора необходимо держать волосы, украшения, руки, одежду и кухонную утварь на безопасном расстоянии от всех вращающихся деталей.
- Для предотвращения разбрызгивания при перемешивании жидкостей (особенно горячих) использовать высокий контейнер или сократить количество перемешиваемых продуктов.
- Перед мытьем или выключением прибора убедиться, что регулятор скорости находится в положении «0», а прибор отсоединен от сети.
- Использование прибора без присмотра запрещено.
- Перед прикосновением к подвижным деталям и сменой насадок необходимо отключить прибор от сети.
- **СОХРАНИТЬ ДАННЫЕ ИНСТРУКЦИИ.**

**Сохраните данную инструкцию для дальнейшего использования.
для использования
ТОЛЬКО В ДОМАШНИХ
УСЛОВИЯХ**

УСТАНОВКА

Всегда устанавливать прибор на ровную, устойчивую поверхность. Поверхность должна находиться на безопасном расстоянии от источников тепла и не должна быть горячей. Поверхность должна быть сухой. Хранить прибор и электрический шнур к нему в недоступном для детей месте.

Проверить соответствие напряжения прибора, указанного на табличке прибора, напряжению вашего региона. Прибор должен быть подключен к должным образом заземленной стенной розетке с силой тока не менее 6 А (используйте реле защиты по питанию (RCD), необходимо проконсультироваться с электриком). На случай аварийной ситуации во время использования прибора стенная розетка должна быть легко доступной. Производитель не несет ответственность за аварийные ситуации, возникающие в результате неправильного заземления или его отсутствия.

Если стенная розетка не совместима со штепселем используемого прибора, необходимо обратиться к электрику и заменить розетку.

ОСОБЫЕ ИНСТРУКЦИИ

ШНУР ЭЛЕКТРОПИТАНИЯ

Использовании удлинителя необходимо соблюдать особые меры предосторожности.

При использовании удлинителя необходимо убедиться в соответствии номинальных электрических значений удлинителя соответствующим минимальным значениям прибора. Если прибор заземлен, необходимо использовать трехпроводной заземленной кабель. Запрещается оставлять длинные провода несобранными на краю стола или рабочей поверхности. Необходимо исключить возможность для детей и других лиц беспрепятственно тянуть провод.

ПЕРЕД ИСПОЛЬЗОВАНИЕМ РУЧНОГО БЛЕНКЕРА

Перед первым использованием необходимо промыть ручной миксер. См. раздел "Обслуживание и уход".

НАСАДКИ

Насадки для взбивания позволяют обрабатывать продуктивную массу мягкой текстуры и предотвращают образование комочков. Используются для приготовления пудингов, майонеза, взбитых сливок или взбивания яичных белков.

НАСАДКИ ДЛЯ ВЗБИВАНИЯ (3)

Насадки для взбивания позволяют обрабатывать продукто-вую массу мягкой текстуры и предотвращают образование комочков. Используются для приготовления пудингов, май-онеза, взбитых сливок или взбивания яичных белков.

КРЮКИ ДЛЯ ЗАМЕШИВАНИЯ ТЕСТА (4а, 4b)

Крюки для замешивания теста особенно полезны для приго-товления различных видов теста: для хлеба или дрожжевого.

НАСТРОЙКИ СКОРОСТИ

При выборе настроек скорости руководствуйтесь следую-щими инструкциями:

ТСОВЕТ: Консистенция массы может меняться при добав-лении ингредиентов. Соответственно, при изменении конси-стенции используйте соответствующую настройку скорости.

СКОРОСТЬ 0

В данном положении прибор выключен. Перед мытьем или хранением установить регулятор в данное положение и от-соединить прибор от сети.

СКОРОСТЬ 1

Для замешивания теста и перемешивания.

СКОРОСТЬ 2

Для соусов и пудингов.

СКОРОСТЬ 3

Для приготовления различных смесей для выпечки.

СКОРОСТЬ 4

Для взбивания масла с сахаром, приготовления теста для светлого бисквита, смесей для кексов и пудингов, сахарной глазури.

СКОРОСТЬ 5

Для взбивания легких и воздушных масс, включая пюре или омлеты.

КАК ИСПОЛЬЗО-ВАТЬ РУЧНОЙ МИКСЕР**УСТАНОВКА НАСАДОК**

Перед установкой насадок убедиться, что регулятор скорости (1) находится в положении «0», а прибор отключен от сети.

Вставить необходимые насадки в соответствующие отвер-стия (5) до щелчка.

При использовании крюков для замешивания теста (4а, 4b) убедиться, что они установлены в соответствующие от-верстия (5). Левый крюк для замешивания (4а) подходит только для левого отверстия (5), в котором имеется специ-альный канал.

Обе насадки для взбивания (3) подходят для обоих отвер-стий (5).

ПОДКЛЮЧЕНИЕ К ЭЛЕКТРОПИТАНИЮ

Перед подключением прибора к источнику питания необхо-димо установить насадки.

Перед подключением ручного миксера к питанию убедить-ся, что регулятор скорости (1) находится в положении «0».

ПРОЦЕСС ПЕРЕ-МЕШИВАНИЯ

ВАЖНО: Для предотвращения перегрева двигателя миксе-ра после 4 минут непрерывной работы прибор следует оста-новить на 2 минуты.

Необходимо помещать ингредиенты в миску для смешива-ния. При использовании мисок для смешивания из стекла или фарфора следить, чтобы насадки не касались боковых стенок и дна миски.

Погрузить насадки миксера в массу и выбрать необходимую скорость (1). См. раздел "Настройки скорости".

Для предотвращения разбрызгивания не извлекать насадки из массы во время смешивания.

По завершении процесса перемешивания вернуть регуля-тор скорости (1) в положение «0» и отключить прибор от питания.

Если вы больше не будете использовать миксер, установи-те его на стойку (6) четырьмя нескользящими силиконовы-ми ножками.

СНЯТИЕ НАСАДОК

Снимать насадки только после установки регулятора ско-рости (1) в положение «0» и отключения прибора от сети питания.

Для снятия насадок нажать на кнопку разблокировки (2). Держать насадку за стержень.

ПРИМЕЧАНИЕ: С целью обеспечения безопасности выполнять разблокировку насадки, только когда регулятор скорости (1) находится в положении «0».

ОБСЛУЖИВАНИЕ И УХОД

Перед мытьем ручного миксера отключить его от питания.

Не использовать абразивные чистящие средства.

МЫТЬЕ НАСАДОК

Удалить остатки пищи с насадок при помощи резиновой или пластиковой лопатки.

Разрешается мыть насадки вручную или в посудомоечной машине.

Ремонт деталей должен выполняться только в авторизованном сервисном центре.

МЫТЬЕ КОРПУСА

Для мытья деталей корпуса миксера использовать влажную салфетку.

Запрещается погружать в воду корпус двигателя, сетевую вилку и сетевой шнур. Не забывайте: перед вами электрический прибор.

ХРАНЕНИЕ

Снимать насадки каждый раз после использования ручного миксера.

Пока прибор не используется, он должен находиться на стойке (6).

ПРИМЕЧАНИЕ: Всегда отключаете ручной миксер от питания, если он не используется.

ТЕХНИЧЕСКИЕ ХАРАКТЕРИСТИКИ

ТЕХНИЧЕСКИЕ ДАННЫЕ

Номинальное напряжение ЕВРОПА	220–240В~ 50-60Гц
Номинальное напряжение США	120В~ 60Гц
Номинальная мощность ЕВРОПА	185 Вт
Номинальная мощность США	160 Вт
Длина шнура	прибл. 160см / 63дюймов (США)
	прибл. 120см / 47дюймов (ЕВРОПА)

ГАРАНТИЯ ПРОИЗВОДИТЕЛЯ ДЛЯ США, КАНАДЫ, СТРАН ЕС И ШВЕЙЦАРИИ.

Гарантия: Компания BODUM® AG (Швейцария) гарантирует отсутствие в Ручной миксер BISTRO к нему дефектов материалов и неисправностей, которые могут быть отнесены к конструктивным или производственным дефектам, в течение двух лет с даты первоначальной покупки. Ремонт выполняется бесплатно при соблюдении всех условий гарантии. Возврат денег не предусмотрен.

Гарант: BODUM® (Schweiz) AG, Kantonsstrasse 100, Postfach 463, 6234 Triengen.

Гарантийные условия: Покупатель должен заполнить гарантийный сертификат во время покупки. Для получения услуг гарантийного обслуживания необходимо предоставить гарантийный сертификат. Если приобретенный товар BODUM® нуждается в гарантийном обслуживании, для получения такого обслуживания необходимо обратиться к продавцу BODUM®, в магазин BODUM®, к дистрибьютору BODUM® в Вашей стране или посетить веб-сайт www.bodum.com.

BODUM® не предоставляет гарантию на повреждения, возникшие вследствие ненадлежащего использования, неправильного обращения, нормального износа, неадекватного или неправильного технического обслуживания или ухода, неправильной эксплуатации прибора неправомочными лицами.

Гарантия производителя не влияет на Ваши законные права по действующим применимым национальным законам, как и на Ваши права по отношению к дилеру по договору купли/продажи.

ЭКОЛОГИЧЕСКИ ПРИЕМЛЕМАЯ УТИЛИЗАЦИЯ



Утилизация неисправных или устаревших электроприборов вместе с обычными отходами является нарушением закона. Их необходимо утилизировать отдельно. Потребителям должна быть предоставлена возможность сдать такие приборы бесплатно в специальных центрах сбора. Обладатели таких приборов должны принести их в пункт сбора или вынести на место, где осуществляется сбор подобных приборов. Подобное личное участие – это вклад в обеспечение переработки ценных материалов и правильной утилизации приборов.

