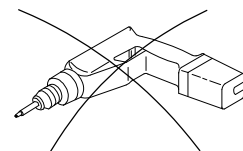
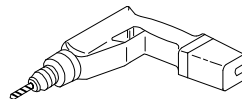
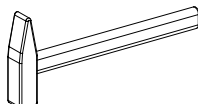
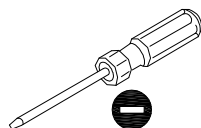
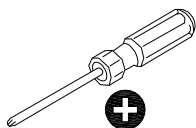
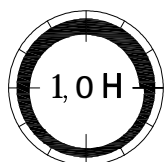
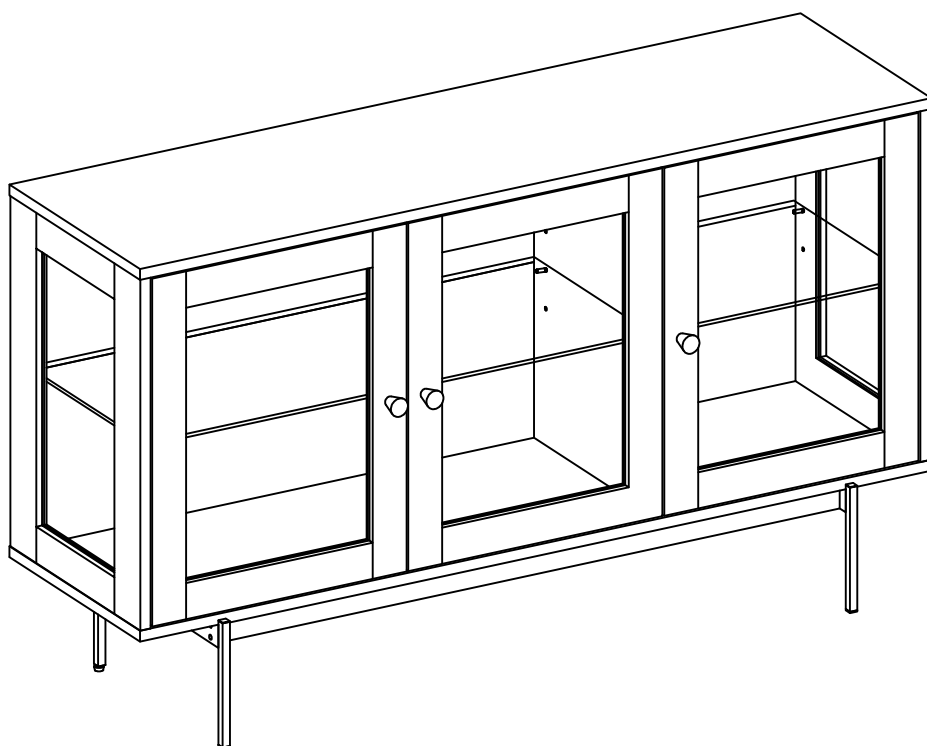
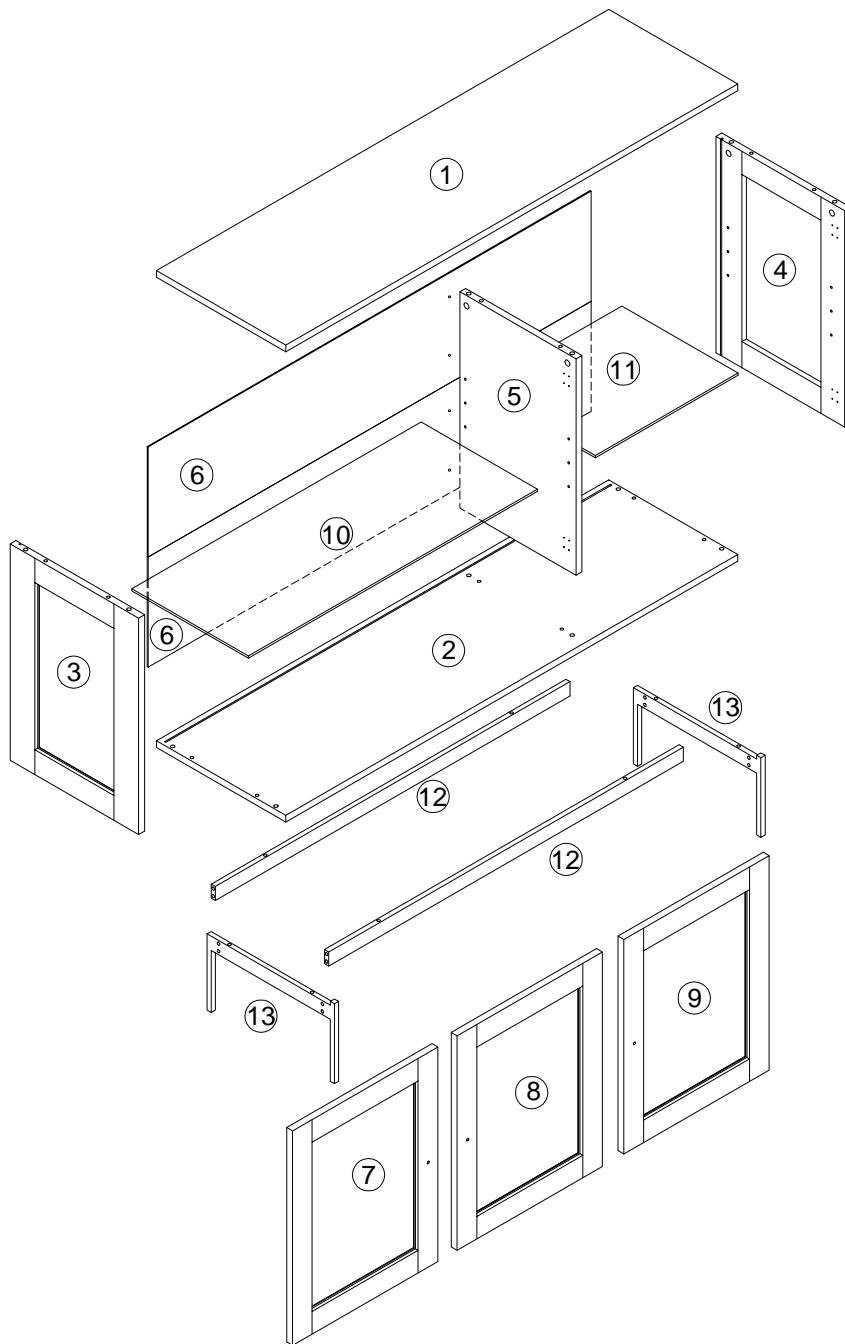














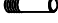



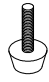

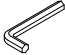

# Angus







08/01/2021

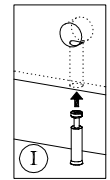
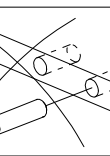
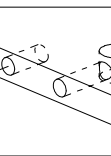
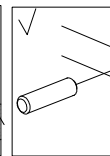
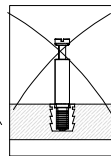
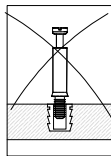
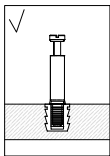
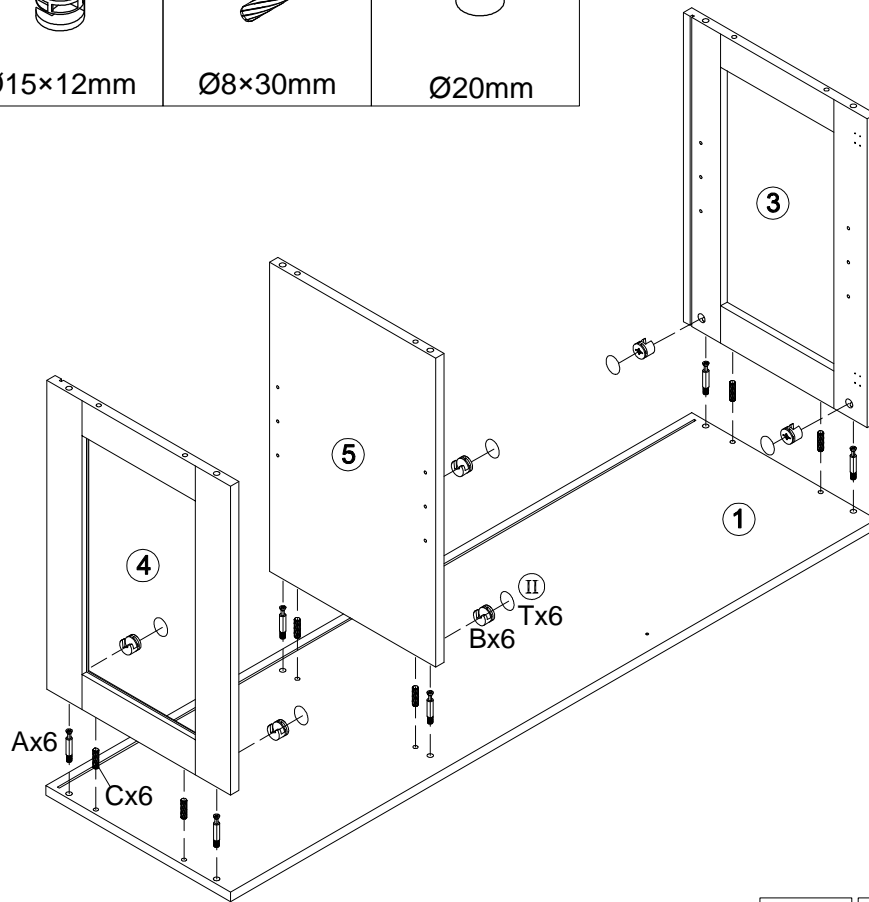
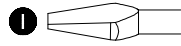
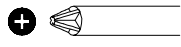
			✓			
①	1	1400x400x18		⑧	1	575x450x18
②	1	1400x400x18		⑨	1	575x450x18
③	1	580x399x18		⑩	1	895x360x6
④	1	580x399x18		⑪	1	442x360x6
⑤	1	580x360x18		⑫	2	1097x38x13
⑥	2	1371x295x2.75		⑬	2	395x210x13
⑦	1	575x450x18				





A x 6  6.3×45mm	B x 6  Ø15×12mm	C x 12  Ø8×30mm	D x 4  Ø18	E x 2  L=100mm
F x 45  3.5×14mm	G x 3  4×22mm	H x 3  Ø20×20mm	J x 6  7×48mm	K x 8  M6×30mm
L x 8  M6×48mm	M x 4  3.5×20mm	N x 8  Ø5×20mm	P x 4  FK17	Q x 2  FK9
R x 6  9×9×14mm	S x 2  Ø13mm	T x 6  Ø20mm	U x 1  4mm	V x 1  10×10×30mm

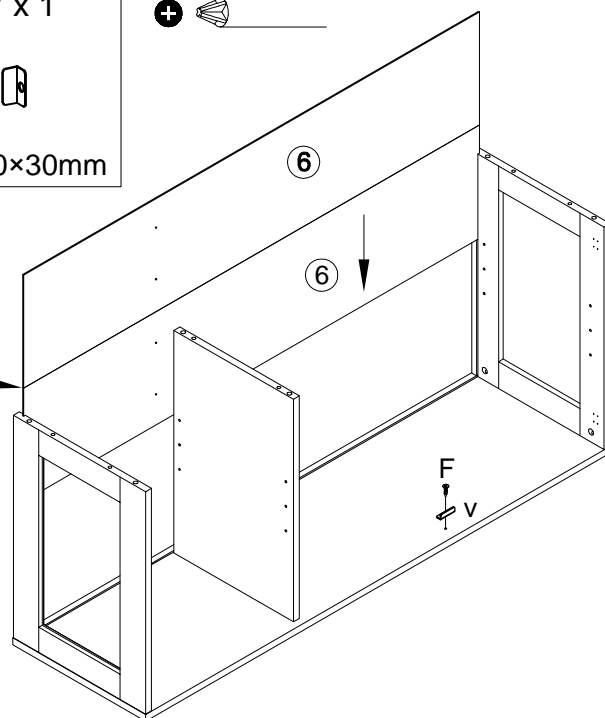
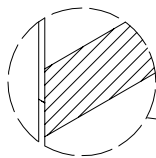
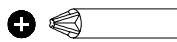
# 1

A x 6  6.3x45mm	B x 6  Ø15x12mm	C x 6  Ø8x30mm	T x 6  Ø20mm
--	--	---	---






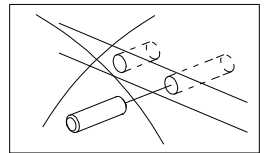
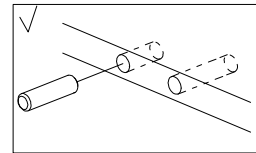
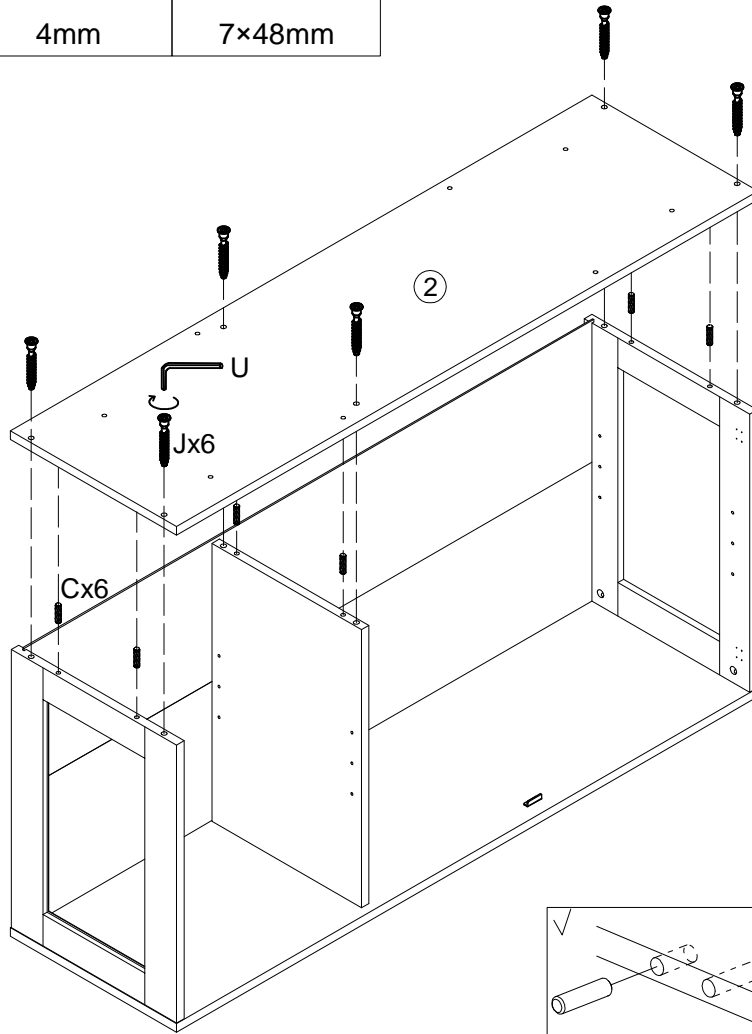
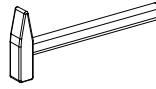
# 2

F x 1  3.5x14mm	V x 1  10x10x30mm
--	--






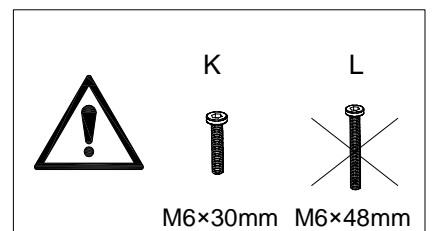
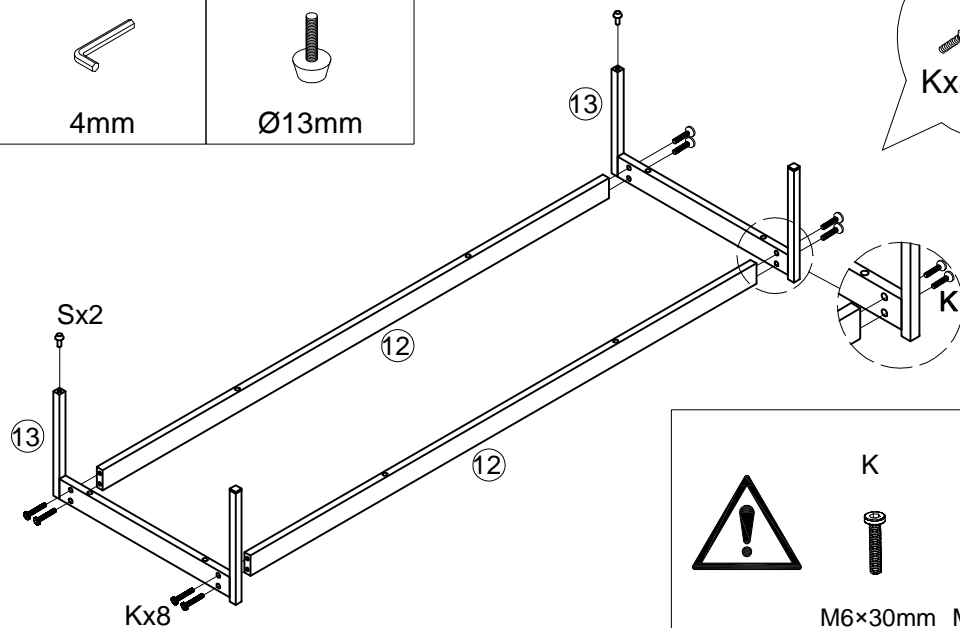
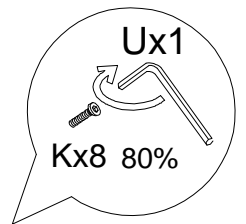
# 3

C x 6  Ø8×30mm	U x 1  4mm	J x 6  7×48mm
---	---	--


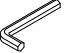


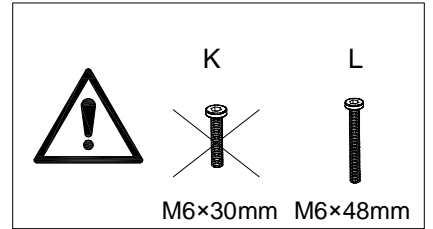
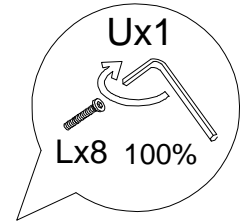
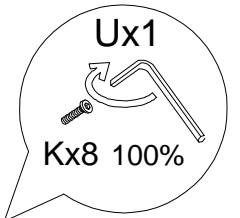
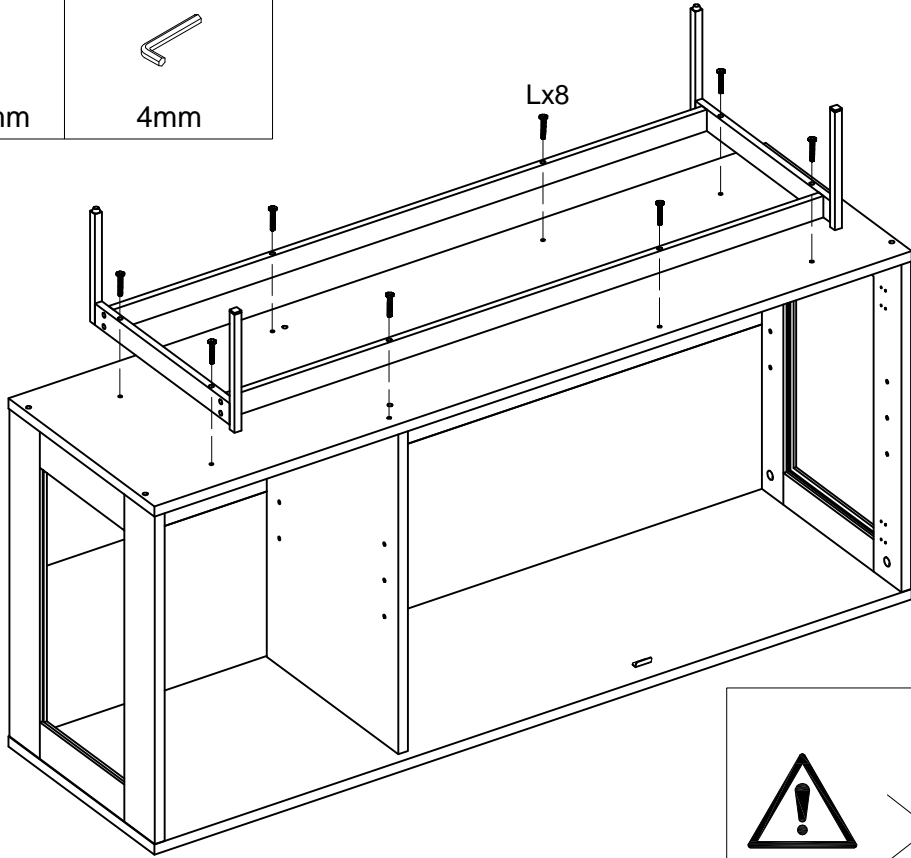
# 4

K x 8  M6×30mm	U x 1  4mm	S x 2  Ø13mm
---	---	---








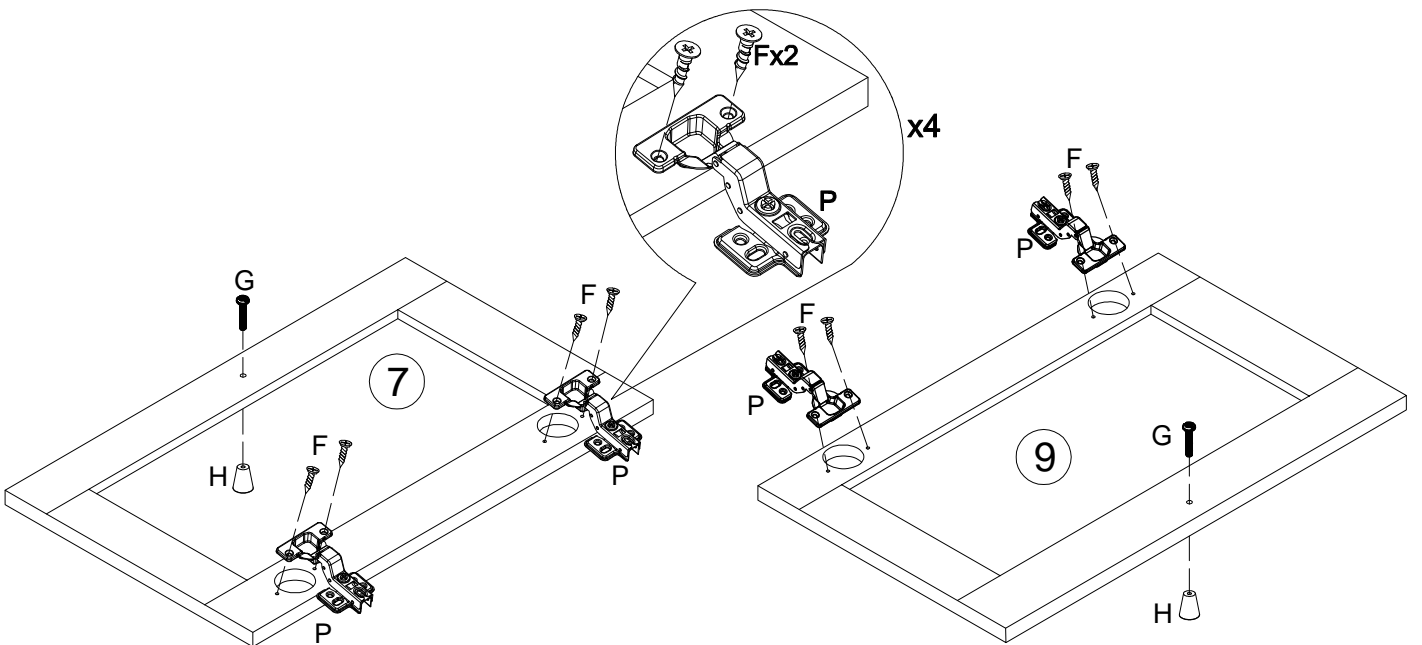
5

L x 8  M6x48mm	U x 1  4mm
---	---







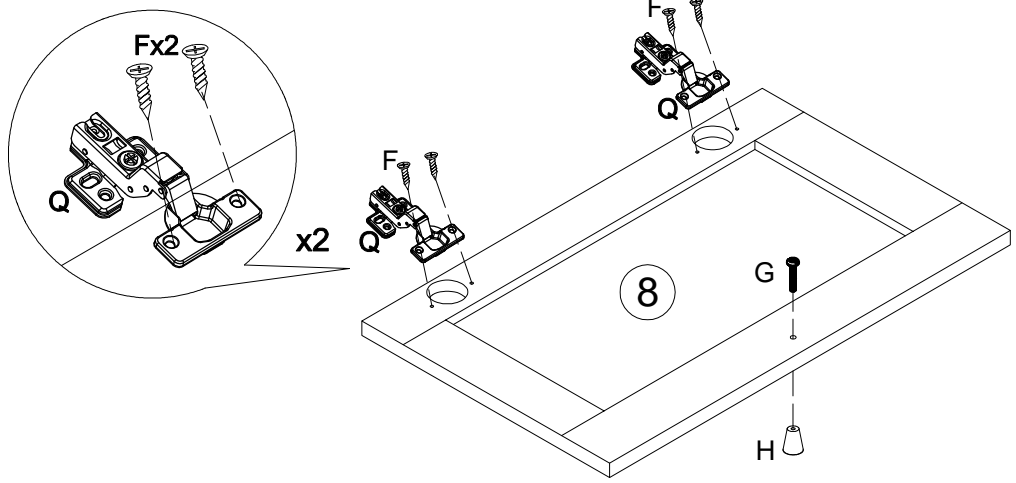
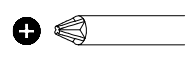
6

F x 8  3.5x14mm	G x 2  4x22mm	H x 2  Ø20x20mm	P x 4  FK17	
--	--	--	--	---




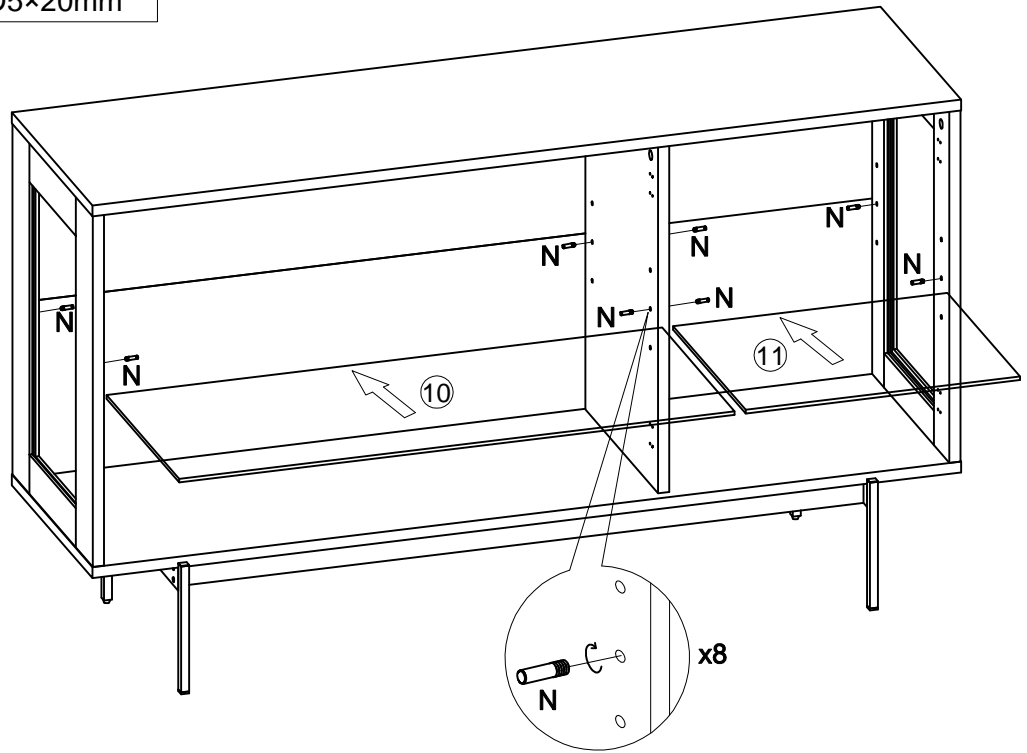
# 7

F x 4  3.5x14mm	G x 1  4x22mm	H x 1  Ø20x20mm	Q x 2  FK9
--	--	--	---

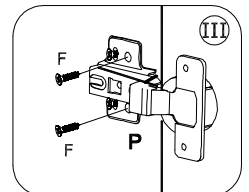
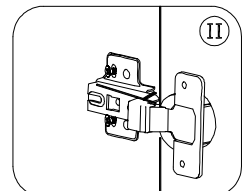
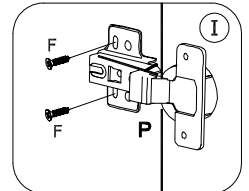
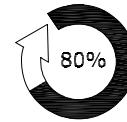
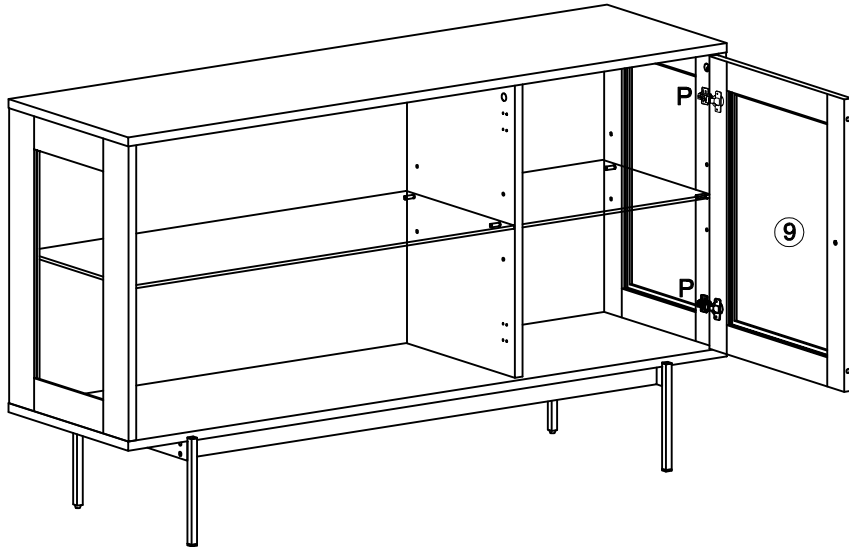
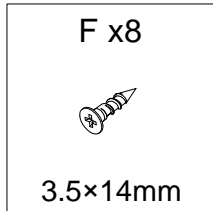


# 8

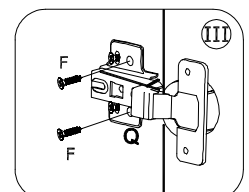
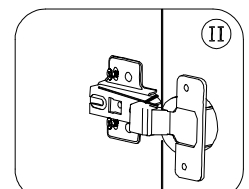
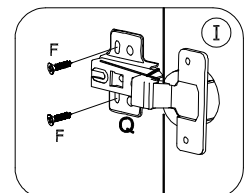
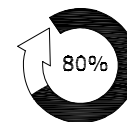
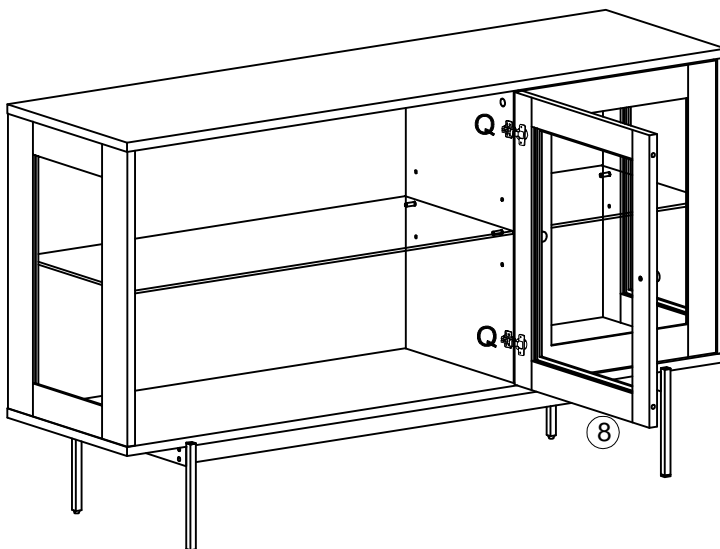
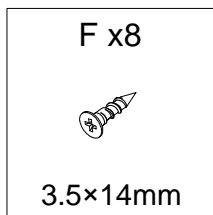
N x 8  Ø5x20mm
---



# 9

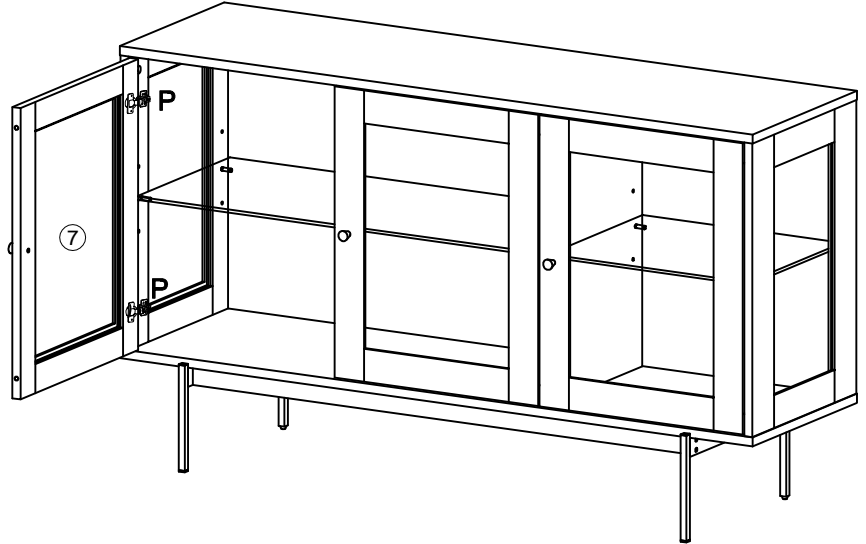
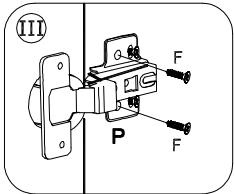
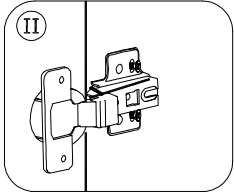
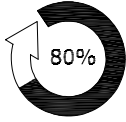
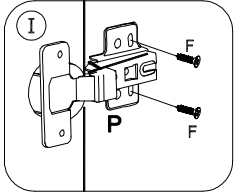
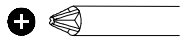
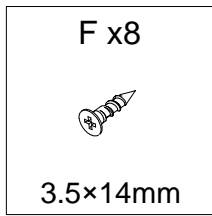


# 10

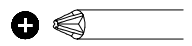
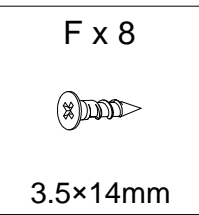
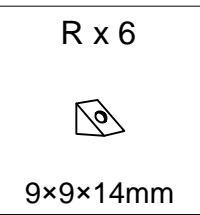
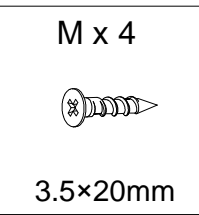
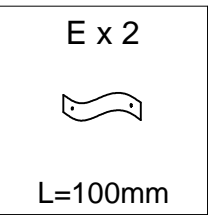
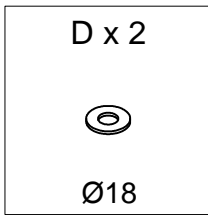




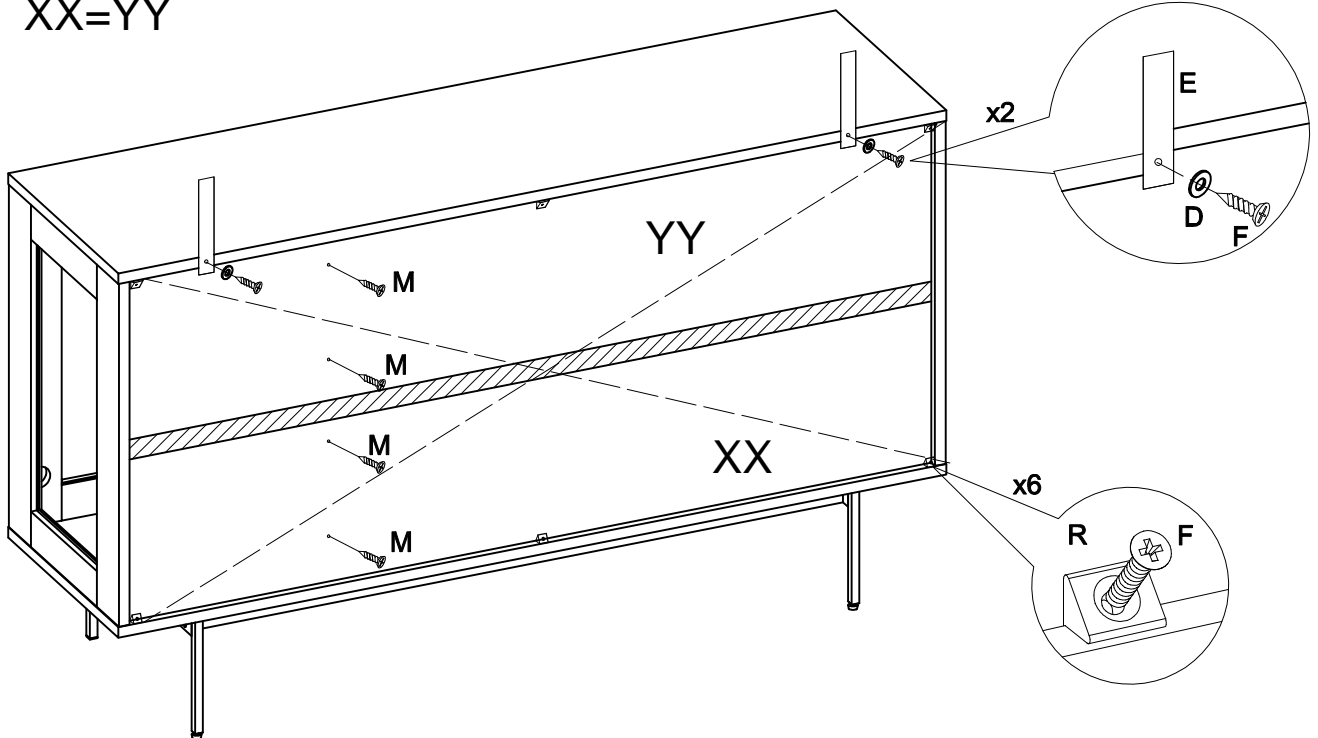
# 11

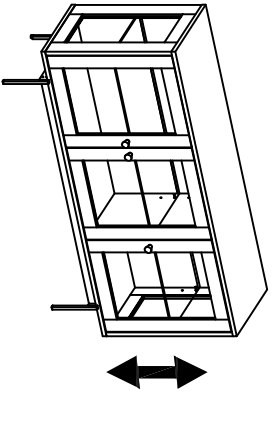


# 12

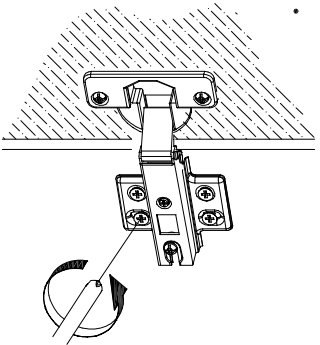


XX=YY

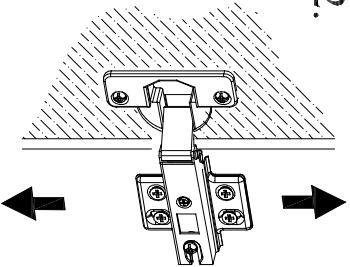




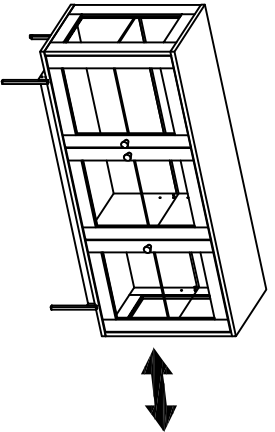
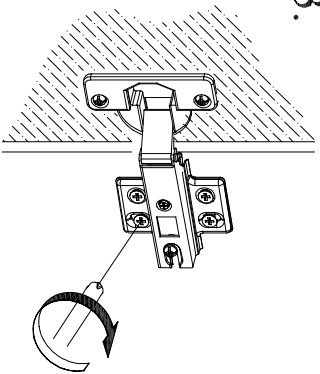
1.



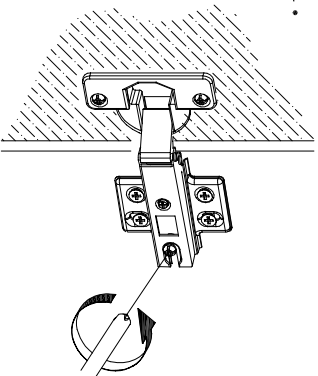
2.



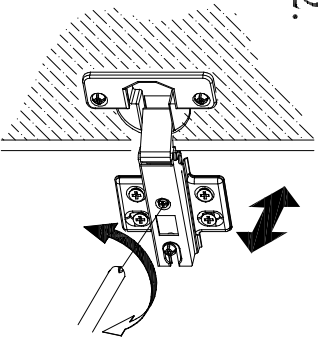
3.



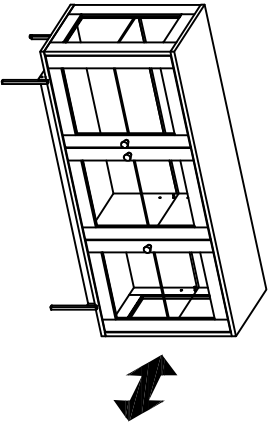
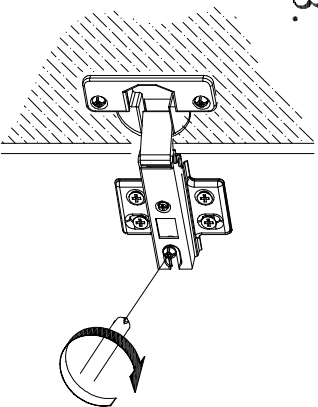
1.



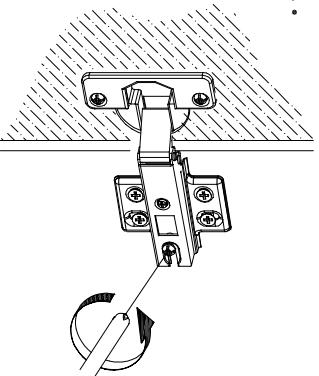
2.



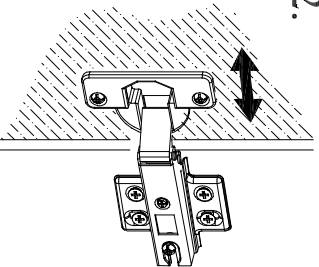
3.



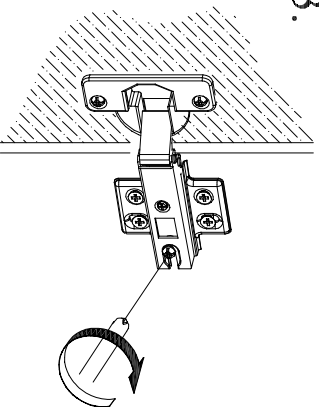
1.



2.



3.

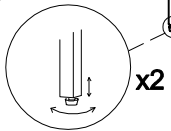
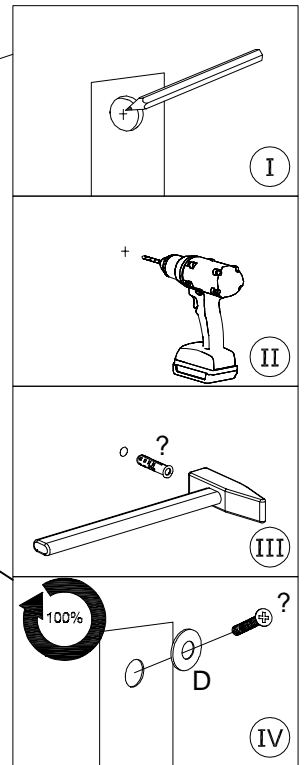
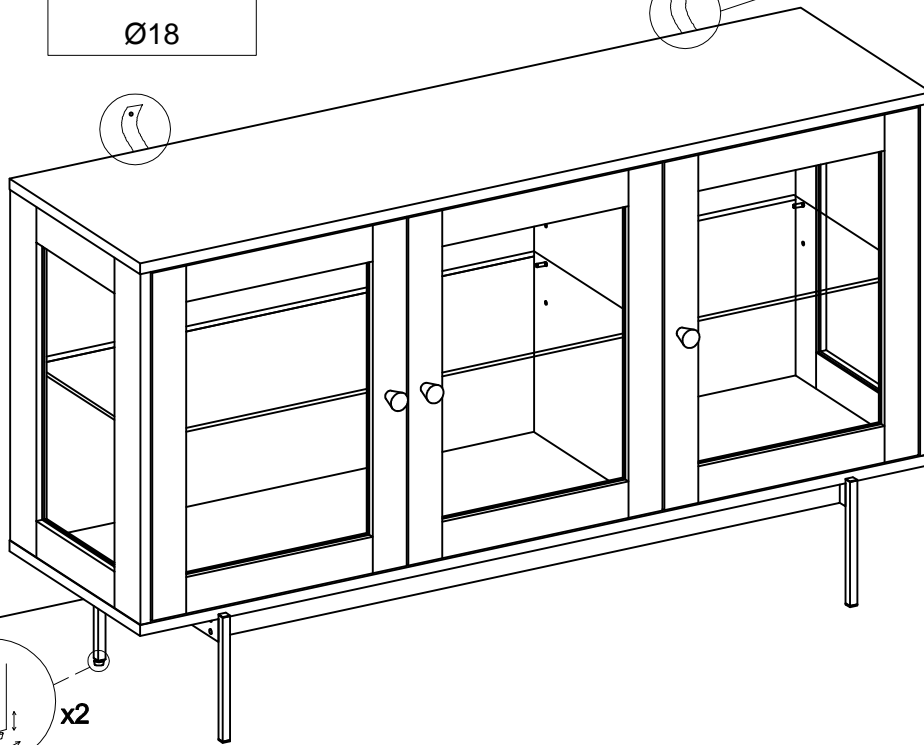


# 14

D x 2



Ø18



# 15

