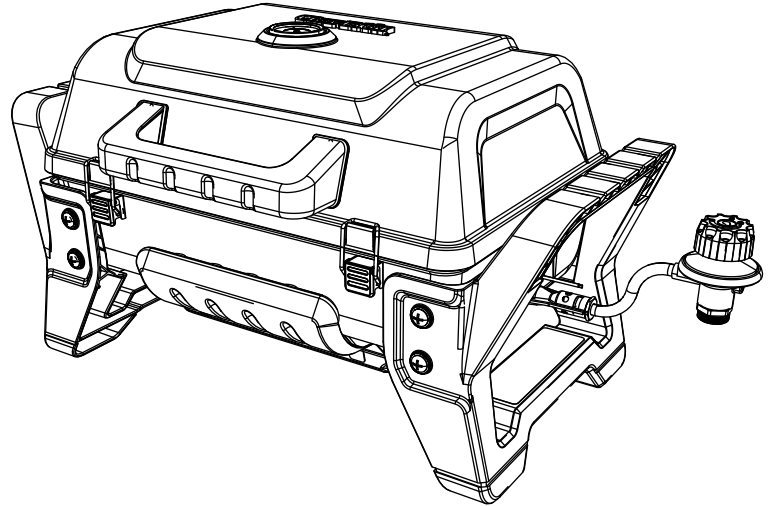




# GRILL2GO® X200 OUTDOOR BARBECUE

MODEL NUMBERS

15402000



- (IE) (GB) Operating Instructions, 2-3
- (CH) (FR) Mode d'emploi, 4-5
- (AT) (CH) (DE) Betriebsanweisungen, 6-7
- (CH) (IT) Istruzioni per l'uso, 8-9
- (LU) (BE) (NL) Gebruiksaanwijsties, 10-11
- (SE) Användning, 12-13
- (FI) Käyttöohjeet, 14-15
- (ES) Instrucciones de funcionamiento, 16-17
- (PT) Instruções para Operação, 18-19
- (DK) Brugsanvisning, 20-21
- (NO) Instruksjoner for bruk, 22-23
- (PL) Instrukcje obsługi, 24-25
- (IS) Notkunarlæðbeiningar, 26-27
- (RO) Manual de operatii, 28-29
- (CZ) Návod k obsluze, 30-31
- (SK) Návod na používanie, 32-33
- (HE) הוראות הפעלה 34-35

- Assembly Instructions, 38
- Instructions d'assemblage, 38
- Montageanweisungen, 38
- Istruzioni per il montaggio, 38
- Montage-instructies, 38
- Montering, 38
- Kokoamisohjeet, 38
- Instrucciones de armado, 38
- Instruções para Montagen, 38
- Monteringsvejledning, 38
- Montering, 38
- Instrukcje, 38
- Smalamálsskipana, 38
- Instrucțiuni de asamblare, 38
- Montážní návod, 38
- Návod na montáž, 38
- הוראות הרכבה 38



598 CP 441

**IMPORTANT:** Read these instructions for use carefully so as to familiarize yourself with the appliance before connecting it to its gas container. Keep these instructions for future reference.

**Use outdoors only**

Appliance Category: vapour pressure-butane-propane mixture.

**INSTALLER/ASSEMBLER:**



Leave this manual with consumer.



**CONSUMER:**

Keep this manual for future reference.

**Questions:**

If you have questions during assembly or use of this appliance contact your local dealer.

	<b>DANGER</b>	
<p>If you smell gas:</p> <ol style="list-style-type: none"> <li>1. Shut off gas to the appliance.</li> <li>2. Extinguish any open flames.</li> <li>3. Open lid.</li> <li>4. If odor continues, keep away from the appliance and immediately call your gas supplier or your fire department.</li> </ol>		

	<b>DANGER</b>	
<ol style="list-style-type: none"> <li>1. Never operate this appliance unattended.</li> <li>2. Never operate this appliance within 3m of any structure, combustible material or other gas cylinders or cartridges.</li> <li>3. Never operate this appliance within 7.5m of any flammable liquid.</li> <li>4. If a fire should occur, keep away from the appliance and immediately call your fire department. Do not attempt to extinguish an oil or grease fire with water.</li> </ol>		
<p>Failure to follow these instructions could result in fire, explosion or burn hazard, which could cause property damage, personal injury or death.</p>		

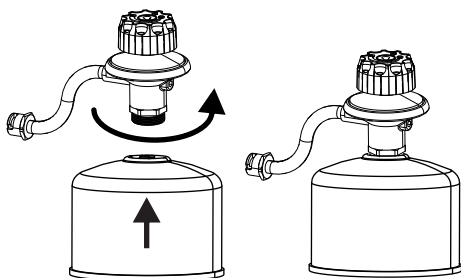
**TECHNICAL DATA**



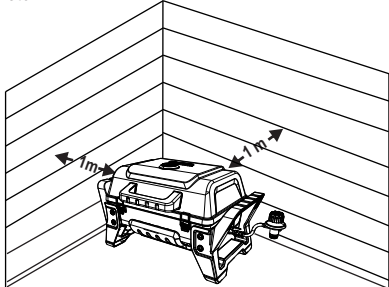
Gas consumption: 2,8 kW (204 g/h)

Injector Size: 0,80 mm

Type of gas: butane-propane mixture

**GAS CARTRIDGES CONNECTION**



	<b>WARNING</b>	
<p><b>For Safe Use of Your appliance and to Avoid Serious Injury:</b></p> <ul style="list-style-type: none"> <li>• <b>USE OUTDOORS ONLY. NEVER USE INDOORS.</b></li> <li>• Read the instructions before using the appliance. Always follow these instructions.</li> <li>• Do not move the appliance during use.</li> <li>• Accessible parts may become very hot. Keep young children away from the appliance. Do not let children operate or play near appliance.</li> <li>• Use only on stable horizontal surface.</li> <li>• This appliance must be kept away from flammable materials during use.</li> <li>• Do not block holes in sides or back of appliance.</li> <li>• Check burner flames regularly.</li> <li>• Do not block venturi openings on burner.</li> <li>• NEVER use in enclosed space such as carport, garage, porch, covered patio, or under an overhead structure of any kind.</li> <li>• Do not use charcoal or ceramic briquets in a gas appliance.</li> <li>• <b>DO NOT</b> cover grates with aluminum foil or any other material. This will block burner ventilation and create a potentially dangerous condition resulting in property damage and/or personal injury.</li> <li>• Use appliance at least 1 m from any wall or surface. Maintain 3 m clearance to objects that can catch fire or sources of ignition such as pilot lights on water heaters, live electrical appliances, etc.</li> </ul>		
		
<ul style="list-style-type: none"> <li>• NEVER attempt to light burner with lid closed. A buildup of non-ignited gas inside a closed appliance is hazardous.</li> <li>• Never operate appliance with gas cartridge out of correct position specified.</li> <li>• Do not modify the appliance. Any modifications are strictly prohibited. Sealed parts are not to be manipulated by the user. Do not disassemble injectors.</li> </ul>		

**Safety Tips**

- When appliance is not in use, turn off all control knobs and gas.
- Use long-handled barbecue utensils and oven mitts to avoid burns and splatters. Use protective gloves when handling hot components.
- The grease tray **must** be inserted into appliance and emptied after each use. Do not remove grease tray until appliance has completely cooled.
- Be very careful when you open the lid, since hot steam may escape.
- Be very careful when children, the elderly or pets are nearby.
- If you notice grease or other hot material dripping from appliance onto regulator, turn off gas supply at once. Determine the cause, correct it, then clean and inspect regulator before continuing. Perform a leak test.

	<b>CAUTION</b>	
---	----------------	---

- Read and follow all safety statements, assembly instructions and use and care directions before attempting to assemble and cook.
- Some parts may contain sharp edges. Wearing protective gloves is recommended.

**Grease Fires**

- **Putting out grease fires by closing the lid is not possible.** Grills are well ventilated for safety reasons.
- **Do not use water on a grease fire, Personal injury may result.** If a persistent grease fire develops turn knobs off.
- **If appliance has not been regularly cleaned, a grease fire can occur that may damage the product.** Pay close attention while preheating or burning off food residue to insure that a grease fire does not develop. Follow instructions on General Appliance Cleaning and Cleaning The Burner Assembly to prevent grease fires.
- **The best way to prevent grease fires is regular cleaning of the appliance.**

**GAS CARTRIDGES**

- This appliance shall only be used with butane/propane disposable gas cartridges with an EN417 valve such as the CFH 230g, Zapp 445g, Coleman 500g or equivalent, without exceeding 500g.
- It may be hazardous to attempt to fit other types of gas cartridges.
- Change the gas container outside and away from people. DO NOT disconnect or change gas container within 3m of an open flame or other ignition source or other people.
- Check that gas cartridge is empty before changing it (shake to hear the noise made by the liquid).
- Check that burners are extinguished before disconnecting the gas cartridge.
- Check that seals are in place and in good condition before connecting to the gas container. Check the seals before connecting a new gas container to the appliance.
- Do not use the appliance if it has damaged or worn seals. Do not attempt to repair seals. Obtain new parts from the manufacturer.
- Do not use an appliance which is leaking, damaged or which does not operate properly.
- If there is a leak on your appliance (Smell of gas), take it outside immediately into a well ventilated flame free location where the leak may be detected and stopped. If you wish to check for leaks on your appliance, do it outside. Do not try to detect leaks using a flame, use soapy water.

**REGULATOR REQUIREMENTS**

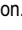

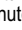
- Only use regulator supplied with this product or a replacement supplied by the manufacturer.

Regulator locked in OFF position. Turn to  to unlock.

## Ignitor Lighting



READ INSTRUCTIONS BEFORE LIGHTING.

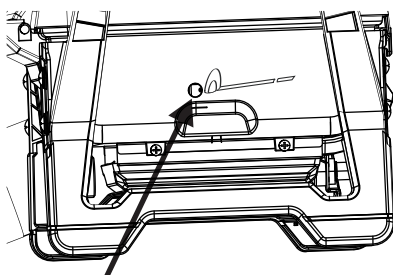
Do NOT lean over appliance while lighting.

1. Turn regulator control knob to  position.
2. Connect gas cartridge.
3. Open the grill lid.
4. Press and turn the regulator control knob to the  position.
5. Push ignitor button rapidly.
6. Once ignited, turn the control knob to the desired setting.
7. If ignition does not occur in 5 seconds, turn the regulator control knob to , wait 5 minutes, and repeat lighting procedure.

If ignition still does not occur, follow match-lighting instructions.

## Match Lighting


1. Place lit match next to burner. Turn regulator control knob to .
2. If ignition does NOT occur in 5 seconds, turn the regulator control knob to , wait 5 minutes and repeat the lighting procedure.

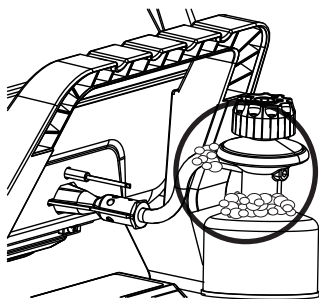


Match Light Hole

## Leak Testing Valves, Tube and Regulator

Leak test at least once a year and every time the cartridge is changed or disconnected.

1. Turn appliance control knob to .
2. Be sure gas cartridge is tightly connected to regulator.
3. If you hear a *rushing sound*, remove cartridge immediately. There is a major leak at the connection. **Correct before proceeding.**
4. Brush soapy solution (mixture of half soap and half water) onto hose connections and areas circled below.
5. If *growing bubbles* appear, there is a leak. Check cartridge for tightness. If leak continues replace cartridge and try again. If leak cannot be stopped do not try to repair. Call for replacement parts.

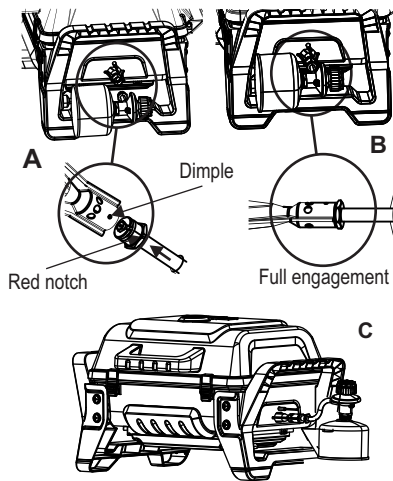


## Regulator/Valve Installation/Removal

1. With knob pointing to right, insert Regulator/Valve into end of burner (A)

Notch in Regulator/Valve MUST engage dimple in end of burner.

2. Once Regulator/Valve has completely engaged burner, turn Regulator/Valve counterclockwise (B) to lock in position with knob pointing as shown (C).
3. To remove reverse steps.



## SPIDER ALERT!

### SPIDER AND WEBS INSIDE BURNER

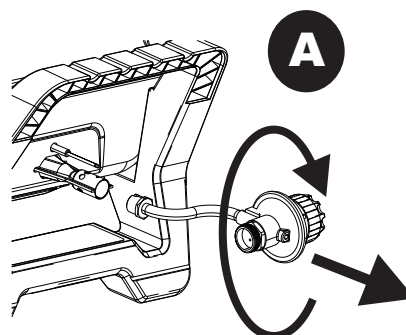


If your appliance is getting hard to light or the flame is weak, check and clean the venturis and burners.

Spiders or small insects are known to create "flashback" problems by building nests and laying eggs in the appliance's venturi or burner obstructing the flow of gas. The backed-up gas can ignite behind the control panel. This flashback can damage your appliance and cause injury. To prevent flashbacks and ensure good performance, the burner and venturi tube assembly should be removed and cleaned whenever the appliance has been idle for an extended period of time.

## Cleaning The Burner Assembly

1. Turn gas off at regulator control knob and disconnect gas cartridge.
2. Remove cooking grid.
3. Remove regulator from burner tube by (1) rotating regulator until knob is to right and then (2) by pulling outward. Shown FIG. A
4. Wipe ceramic electrode with rubbing alcohol and cloth. Clean burner exterior with soap and water. Insert garden hose (preferably with nozzle), into burner tube forcing water through tube. Make sure water comes out of every porthole. Open clogged portholes with a thin wire. **Allow burner to dry thoroughly** and examine portholes. Due to normal wear and corrosion some portholes may become enlarged, if so replace burner. If any horizontal cracks appear from porthole to porthole or large holes (other than portholes) are found replace burner.
5. If barbecue is to be stored, coat burner lightly with cooking oil. Wrap in protective cover to keep insects out. If not storing use following steps.
6. Reattach regulator.
7. Replace cooking grid.
8. Before cooking again on barbecue, perform a "Leak Test" and "Burner Flame Check".



## Storing Your appliance

- Clean cooking grates.
- Store in dry location.
- When gas cartridge is connected to appliance, store outdoors in a well-ventilated space and out of reach of children.
- Cover appliance if stored outdoors.
- Store appliance indoors ONLY if gas cartridge disconnected, removed from appliance and stored outdoors.
- When removing appliance from storage check for burner obstructions.

## General Appliance Cleaning

- Clean appliance often, preferably after each cookout. If a bristle brush is used to clean any of the appliance cooking surfaces, ensure no loose bristles remain on cooking surfaces prior to grilling. It is not recommended to clean cooking surface while appliance is hot. Appliance should be cleaned at least once a year.
- Apply a strong solution of detergent and water or use a appliance cleaner with scrub brush on insides of appliance lid and bottom. Rinse and allow to completely air dry. **Do not apply caustic appliance/oven cleaner to painted surfaces.**
- **Plastic parts:** Wash with warm soapy water and wipe dry. Do not use citrisol, abrasive cleaners, degreasers or a concentrated appliance cleaner on plastic parts. Damage to and failure of parts can result.
- **Porcelain surfaces:** Because of glass-like composition, most residue can be wiped away with baking soda/water solution or specially formulated cleaner. Use nonabrasive scouring powder for stubborn stains.
- **Painted surfaces:** Wash with mild detergent or nonabrasive cleaner and warm soapy water. Wipe dry with a soft nonabrasive cloth.
- **Stainless steel surfaces:** To maintain your appliance's high quality appearance, wash with mild detergent and warm soapy water and wipe dry with a soft cloth after each use. Baked-on grease deposits may require the use of an abrasive plastic cleaning pad. Use only in direction of brushed finish to avoid damage. Do not use abrasive pad on areas with graphics.
- **Cooking surfaces:** If a bristle brush is used to clean any of the appliance cooking surfaces, ensure no loose bristles remain on cooking surfaces prior to grilling. It is not recommended to clean cooking surfaces while appliance is hot.

## IF APPLIANCE FAILS TO LIGHT

Make sure gas is turned on at cartridge. Make sure there is gas in the cartridge.

Does the ignitor make a sparking noise? If yes check for spark at burner. If no spark, check for damaged or loose wires. If wires are OK, check for cracked or broken electrode, replace if needed. If wire or electrodes are covered by cooking residue, clean electrode tip with alcohol wipe if needed. If needed replace wires. If ignitor continues to not work then use match.

If this appliance needs to be repaired please contact your supplier or Kriswell A/S. Please see Kriswell A/S contact information on page 40.

**IMPORTANT : Lisez ces instructions attentivement afin de vous familiariser avec l'appareil avant de le connecter à son réservoir de gaz. Conservez ces instructions aux fins de référence future.**

**À n'utiliser qu'à l'extérieur.**

Catégorie d'appareil : mélange de pression de vapeur butane-propane.

**INSTALLER/ASSEMBLER :**



Laissez ce manuel au consommateur.

**CONSOmmATEUR :**

Conservez ce manuel aux fins de référence future.

**Questions :**

Si vous avez des questions lors de l'assemblage ou l'utilisation de cet appareil contactez votre revendeur local.

	<b>DANGER</b>	
<p>Si vous sentez du gaz :</p> <ol style="list-style-type: none"> <li>1. Coupez le gaz sur l'appareil.</li> <li>2. Éteignez les flammes apparentes.</li> <li>3. Ouvrez le couvercle.</li> <li>4. Si l'odeur persiste, éloignez-vous de l'appareil et appelez immédiatement votre fournisseur de gaz ou les pompiers.</li> </ol>		

	<b>DANGER</b>	
<ol style="list-style-type: none"> <li>1. Ne jamais utiliser cet appareil sans surveillance.</li> <li>2. Ne jamais faire fonctionner cet appareil à moins de 3 m de toute structure, de matières combustibles ou d'autres bouteilles ou cartouches de gaz.</li> <li>3. Ne jamais faire fonctionner cet appareil à moins de 7,5 m de tout liquide inflammable.</li> <li>4. Si un incendie se produit, éloignez-vous de l'appareil et appelez immédiatement les pompiers. N'essayez pas d'éteindre un feu d'huile ou de graisse avec de l'eau.</li> </ol> <p>Le non-respect de ces instructions peut entraîner un incendie, une explosion ou un risque de brûlure, ce qui pourrait entraîner des dommages matériels, des blessures corporelles ou la mort.</p>		

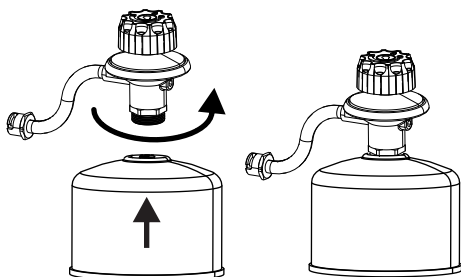
**DONNÉES TECHNIQUES**

Consommation de gaz : 2,8 kW (204g/h)

Dimension d'injecteur : 0,80 mm

Type de gaz : mélange butane-propane.

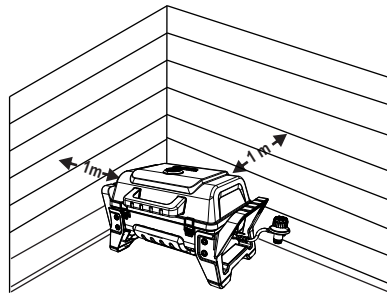
**RACCORDEMENT DES CARTOUCHES DE GAZ**



 **AVERTISSEMENT** 

**Pour une utilisation sûre de votre appareil et pour éviter des blessures graves :**

- **UTILISEZ UNIQUEMENT À L'EXTÉRIEUR. N'UTILISEZ JAMAIS EN INTÉRIEUR.**
- Lisez les instructions avant d'utiliser l'appareil. Suivez toujours ces instructions.
- Ne déplacez pas l'appareil en cours d'utilisation.
- Les éléments accessibles peuvent être très chauds. Éloignez les jeunes enfants. Ne laissez pas les enfants utiliser l'appareil ou jouer à proximité.
- À n'utiliser que sur une surface horizontale stable..
- Cet appareil doit être tenu à l'écart des matières inflammables pendant son utilisation.
- Ne bloquez pas les orifices sur les côtés ou à l'arrière de l'appareil.
- Vérifiez régulièrement les flammes du brûleur.
- N'utilisez pas les ouvertures d'injection du brûleur.
- Utilisez l'appareil uniquement dans un espace bien ventilé. NE JAMAIS l'utiliser dans un espace clos tel qu'un abri-garage, un garage, une véranda, une terrasse couverte ou sous une structure aérienne d'aucune sorte.
- N'utilisez pas de charbon de bois ou briquettes en céramique dans un appareil à gaz.
- NE couvrez PAS les grilles avec du papier d'aluminium ou tout autre matériau. Cela obstrue la ventilation du brûleur et crée une situation potentiellement dangereuse risquant d'entraîner des dommages matériels et / ou corporels.
- Utilisez l'appareil à au moins 1 m d'un mur ou d'une surface. Maintenez 3 m de distance avec des objets pouvant prendre feu ou des sources de combustion telles que veilleuses de chauffe-eaux, appareils électriques en fonction, etc.



- NE tentez JAMAIS tenter d'allumer le brûleur avec le couvercle fermé. Une accumulation de gaz non enflammé à l'intérieur d'un appareil fermé est dangereuse.
- Coupez toujours le gaz de la bouteille et débranchez le régulateur avant de déplacer la bouteille de gaz de sa position de fonctionnement spécifiée.
- N'utilisez jamais l'appareil avec une bouteille de gaz se trouvant hors de la position correcte spécifiée.
- Ne modifiez pas l'appareil. Toute modification est strictement interdite. Les parties scellées ne doivent pas être manipulées par l'utilisateur. Ne démontez pas les injecteurs.

**EXIGENCES DE RÉGULATEUR**

- N'utilisez que le régulateur fourni avec ce produit ou un régulateur de remplacement fourni par le fabricant.

**Conseils de sécurité**

- Lorsque l'appareil n'est pas utilisé, fermez tous les boutons de contrôle et de gaz.
- Utilisez des ustensiles de cuisson à long manche et des gants à four pour éviter les brûlures et les projections. Utilisez des gants de protection lors de la manipulation des composants chauds.
- Le bac à graisse (si l'appareil en est doté) doit être inséré dans l'appareil et vidé après chaque utilisation. Ne retirez pas le bac à graisse tant que l'appareil n'est pas complètement refroidi.
- Soyez très prudent lorsque vous ouvrez le couvercle, car de la vapeur brûlante peut s'en échapper.
- Soyez très prudent lorsque des enfants, des personnes âgées ou des animaux se trouvent à proximité.
- Si vous remarquez de la graisse ou une autre matière chaude s'écoulant de l'appareil vers la valve, le tuyau ou le régulateur, coupez immédiatement l'alimentation de gaz. Déterminez la cause, corrigez-la, puis nettoyez et inspectez la valve, le tuyau et le régulateur avant de continuer. Effectuez un test de fuite.

 **PRÉCAUTION** 


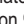
- Lisez et suivez toutes les consignes de sécurité, les instructions de montage et d'utilisation ainsi que les directives d'entretien avant d'essayer d'assembler et d'effectuer une cuisson.
- Certaines pièces peuvent comporter des bords tranchants. Le port de gants de protection est recommandé.

**Feux de graisse**

- L'extinction de feux de graisse en fermant le couvercle n'est pas possible. Les grilles sont bien ventilées pour des raisons de sécurité.
- N'utilisez pas d'eau sur un feu de graisse, des dommages corporels peuvent en résulter. Si un feu de graisse persistant se développe, fermez les boutons et la bouteille de gaz.
- Si l'appareil n'a pas été nettoyé régulièrement, un feu de graisse peut se produire pouvant endommager le produit. Portez une attention particulière lors du préchauffage ou du brûlage de résidus d'aliments pour éviter qu'un feu de graisse ne se développe. Suivez les instructions concernant le nettoyage général de l'appareil et le nettoyage de l'ensemble du brûleur pour éviter les feux de graisse.
- La meilleure façon pour éviter les feux de graisse consiste à procéder régulièrement au nettoyage de l'appareil.

**CARTOUCHES DE GAZ**


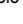
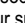
- Cet appareil ne doit être utilisé avec du butane / propane cartouches de gaz jetable avec une soupape de EN417: comme le 230g de CFH, Zapp 445g, 500g ou équivalent Coleman, sans dépasser 500g.
- Il peut être dangereux de tenter d'adapter d'autres types de bonbonnes de gaz.
- Changer la bouteille de gaz à l'extérieur et loin des gens. NE débranchez PAS ni NE modifiez le réservoir de gaz dans les 3 m d'une flamme nue ou d'une autre source de combustion ou à proximité des personnes.
- Vérifiez que la cartouche de gaz est vide avant de la changer (secouez pour entendre le bruit que fait le liquide).
- Assurez-vous que les brûleurs sont éteints avant de débrancher la cartouche de gaz.
- Vérifiez que les joints sont en place et en bon état avant de raccorder le réservoir de gaz. Vérifiez les joints d'étanchéité avant de connecter un nouveau réservoir de gaz avec l'appareil.
- N'utilisez pas l'appareil s'il a été endommagé ou présente des joints usés. Ne tentez pas de réparer les joints d'étanchéité. Obtenez de nouvelles pièces du fabricant.
- Ne pas utiliser un appareil qui fuit, est endommagé ou qui ne fonctionne pas correctement.
- S'il y a une fuite sur votre appareil (odeur de gaz), déplacez-le à l'extérieur immédiatement dans un endroit bien ventilé sans flamme où la fuite peut être détectée et arrêtée. Si vous souhaitez vérifier la présence de fuites sur votre appareil, faites-le à l'extérieur. N'essayez pas de détecter les fuites à l'aide d'une flamme, utiliser de l'eau savonneuse.

 Régulateur verrouillé sur la position OFF. Tournez à la position  pour le déverrouiller.

## Allumage de l'allumeur



### LISEZ LES INSTRUCTIONS AVANT D'ALLUMER.

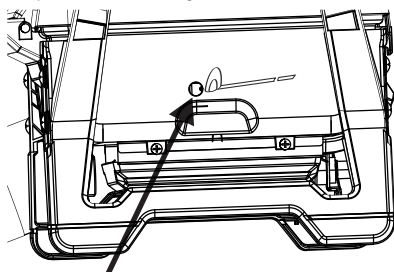
**NE vous penchez PAS sur l'appareil lors de l'allumage.**

1. Positionnez la valve de contrôle du brûleur sur .
2. Connectez la cartouche de gaz GPL.
3. **Ouvrez** le couvercle du grill.
4. Appuyez sur le bouton de contrôle et faites-le tourner à la position .
5. Appuyez rapidement sur le bouton d'allumage.
6. Dès que le brûleur est allumé, tournez le bouton de contrôle sur le réglage désiré.
7. Si l'allumage ne se produit pas dans les 5 secondes, tournez le bouton de commande du brûleur sur , attendez 5 minutes et répétez la procédure d'allumage.

**Si l'allumage ne se produit pas, suivez les instructions d'allumage avec une allumette.**

### Allumage au moyen d'une allumette


1. Placez une allumette allumée à côté du brûleur. Tournez le bouton de commande du régulateur sur .
2. Si l'allumage ne se produit pas dans les 5 secondes, tournez le bouton de commande du régulateur sur , patientez 5 minutes et répétez la procédure d'allumage.

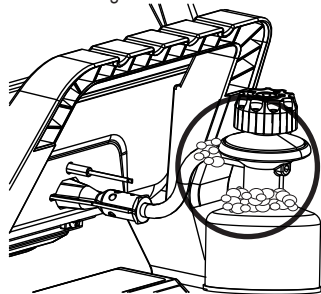


Mettez en face de l'orifice d'allumage

### Test d'étanchéité des valves, du tube et du régulateur

Effectuez un test de fuite au moins une fois par an et chaque fois que la cartouche est changée ou déconnectée.

1. **Tournez les boutons de contrôle de l'appareil sur .**
2. Assurez-vous que la cartouche de gaz est branchée fermement au régulateur.
3. Si vous entendez un *son strident*, retirez la cartouche immédiatement. Il y a une fuite importante au niveau de la connexion. **Corrigez le problème avant de continuer.**
4. Passez une solution savonneuse (mélange d'eau et de savon à 50%) sur les branchements du tuyau et les zones entourées ci-dessous.
5. Si des *bulles* apparaissent, il y a une fuite. Vérifiez l'étanchéité de la cartouche. Si la fuite continue, remplacez la cartouche et essayez à nouveau. Si la fuite ne peut pas être arrêtée, n'essayez pas de la réparer. Contactez votre revendeur pour obtenir des pièces de rechange.

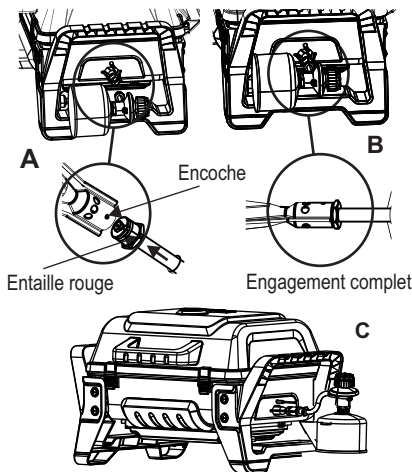


### Régulateur/Installation de la valve/Dépose

1. Avec le bouton pour droit, insérez le régulateur/la valve dans l'extrémité du brûleur (A)

**L'encoche dans le régulateur/la vanne DOIT s'engager dans l'entaille située à l'extrémité du brûleur.**

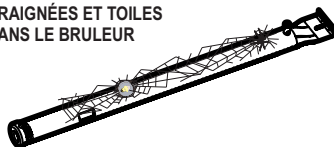
2. Une fois que le régulateur/la valve est complètement engagé dans le brûleur, tournez le régulateur/la vanne dans le sens antihoraire (B) pour le verrouiller en position avec le bouton pointant comme illustré (C).
3. Pour déposer, inversez les étapes.



## PRÉCAUTION

### ALERTE AUX ARAIGNÉES !

ARAIGNÉES ET TOILES DANS LE BRÛLEUR

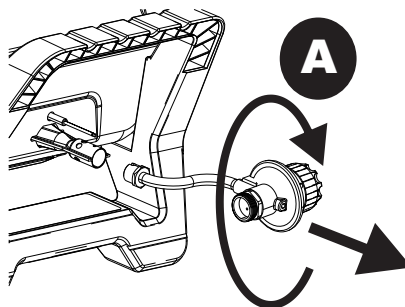


Si votre barbecue devient difficile à allumer ou si la flamme est faible, vérifiez et nettoyez les ouvertures d'injection et les brûleurs.

Les araignées ou de petits insectes sont connus pour créer des problèmes de "retour de flamme" en construisant des nids et en pondant des œufs dans les ouvertures d'injection ou dans le brûleur du barbecue en obstruant le flux de gaz. Le gaz retenu peut s'enflammer derrière le panneau de commandes. Ce retour de flamme peut endommager votre barbecue et provoquer des blessures. Pour éviter les retours de flamme et garantir de bonnes performances, le brûleur et l'ensemble du tube des ouvertures d'injection doivent être retirés et nettoyés chaque fois que le barbecue a été inutilisé pendant une longue période.

### Nettoyage de l'assemblage du brûleur

1. Désactivez l'alimentation en gaz avec le bouton de commande du régulateur et débranchez la cartouche de gaz.
2. Retirez la grille de cuisson.
3. Retirez le régulateur du tube du brûleur en (1) faisant tourner le régulateur jusqu'à ce que le bouton pour droit, puis (2) en le tirant vers l'extérieur. Illustré en FIG. A
4. Essayez l'électrode en céramique avec de l'alcool à brûler et un chiffon. Nettoyez le brûleur extérieur avec de l'eau et du savon. Insérez le tuyau d'arrosage (de préférence avec la buse) dans le tube du brûleur, en forçant le passage de l'eau à travers le tube. Assurez-vous que l'eau s'écoule de chaque orifice. Ouvrez les orifices bouchés avec un fil mince. **Attendez que le brûleur sèche complètement** et examinez les orifices. En raison de l'usure normale et de la corrosion, certains orifices peuvent s'élargir. Si c'est le cas, remplacez le brûleur. Si des fissures horizontales apparaissent entre les orifices ou entre un orifice et un trou plus grand (autre qu'un orifice), remplacez le brûleur.
5. Si le barbecue doit être rangé, enduisez légèrement le brûleur avec de l'huile de cuisson. Enroulez-le dans une pièce de tissu pour le protéger des insectes. Si vous ne le rangez pas, suivez les étapes suivantes.
6. Refixez le régulateur.
7. Remettez en place la grille de cuisson.
8. Avant d'effectuer de nouveau une cuisson sur le barbecue, effectuez un « Test de fuite » et un « Contrôle de la flamme du brûleur ».



## Stockage de votre appareil

- Nettoyez les grilles de cuisson.
- Entrez dans un endroit sec.
- Lorsqu'une cartouche de gaz est connectée à l'appareil, stockez-le à l'extérieur dans un espace bien aéré et hors de portée des enfants.
- Recouvrez l'appareil s'il est stocké à l'extérieur.
- Stockez l'appareil à l'intérieur SEULEMENT si la cartouche de gaz est déconnectée, retirée de l'appareil et stockée à l'extérieur.
- Lorsque vous retirez l'appareil du stockage, vérifiez la présence d'éventuelles obstructions du brûleur.

## Nettoyage général de l'appareil

- Nettoyez souvent l'appareil, de préférence après chaque barbecue. Si une brosse est utilisée pour nettoyer les surfaces de cuisson de l'appareil, assurez-vous qu'aucun poil ne reste sur les surfaces de cuisson avant de faire une grillade. Il est déconseillé de nettoyer la surface de cuisson lorsque l'appareil est chaud. L'appareil doit être nettoyé au moins une fois par an.
- Ne confondez pas l'accumulation de marron ou du noir provenant des graisses et de la fumée à de la peinture. Les parties intérieures des barbecues à gaz ne sont pas peintes à l'usine (et ne doivent jamais être peintes). Appliquez une solution concentrée de détergent et d'eau ou utilisez un nettoyant pour appareil avec une brosse à recourir sur les surfaces internes et inférieures du couvercle de l'appareil. Rincez et laissez sécher complètement à l'air. N'appliquez pas de produits caustiques pour appareil/tour sur les surfaces peintes.
- **Parties en plastique** : lavez à l'eau chaude savonneuse et essuyez pour sécher. N'utilisez pas de citrisol, ni de nettoyeurs abrasifs, dégraissants ou nettoyant concentré d'appareil sur les pièces en plastique. Les pièces risquent d'être endommagées et déformées.
- **Surfaces en porcelaine** : en raison de la composition ressemblant à du verre, la plupart des résidus peuvent être nettoyés à l'aide d'une solution de bicarbonate de soude / eau ou d'un nettoyant avec une formule spéciale. Utilisez une poudre à recourir non abrasive pour les taches tenaces.
- **Surfaces peintes** : lavez avec un détergent doux ou un nettoyant non abrasif et de l'eau chaude savonneuse. Séchez avec tissu doux non abrasif.
- **Surfaces en acier inoxydable** : pour conserver l'apparence de haute qualité de votre appareil, lavez avec un détergent doux et de l'eau chaude savonneuse, et essuyez avec un chiffon doux après chaque utilisation. Les dépôts de graisses brûlées peuvent nécessiter l'utilisation d'un tampon de nettoyage en plastique abrasif. Utilisez uniquement dans le sens de la finition brossée pour éviter tout dommage. N'utilisez pas de tampon abrasif sur les zones avec des graphiques.
- **Surfaces de cuisson** : si une brosse est utilisée pour nettoyer les surfaces de cuisson de l'appareil, assurez-vous qu'aucun poil ne reste sur les surfaces de cuisson avant de faire une grillade. Il est déconseillé de nettoyer les surfaces de cuisson lorsque l'appareil est chaud.

## SI L'APPAREIL NE S'ALLUME PAS

Vérifiez que le gaz est activé sur la cartouche. Vérifiez qu'il y a du gaz dans la cartouche.

Est-ce que l'allumeur fait un bruit d'étincelles ?

Si oui, vérifiez l'étincelle sur le brûleur.

Si il n'y a aucune étincelle, vérifiez si les fils sont endommagés ou desserrés.

Si les fils sont corrects, vérifiez si l'électrode est fissurée ou brisée, remplacez-la si nécessaire.

Si les fils ou les électrodes sont recouverts par des résidus de cuisson, nettoyez l'extrémité de l'électrode avec un tissu imbibé d'alcool, si nécessaire.

Si nécessaire, remplacez les fils.

Si il n'y a aucun son, vérifiez la pile.

Assurez-vous que la pile est correctement installée. Vérifiez si la connexion du fil est lâche sur le module et le commutateur.

Si l'allumeur ne fonctionne toujours pas, utilisez une allumette.

Si cet appareil doit subir une réparation, veuillez prendre contact avec votre fournisseur ou Kriswell A/S. Veuillez consulter les informations de contact de Kriswell A/A à la page 40.

**WICHTIG: Lesen Sie diese Anweisungen vor dem Gebrauch sorgfältig durch, damit Sie mit dem Gerät vertraut sind, bevor Sie es an einen Gasbehälter anschließen. Bewahren Sie diese Anweisungen für zukünftige Informationen auf. Nur im Freien benutzen.**

Gerätekategorie: Dampfdruck Butan-Propangemisch.

### Installateur/Monteur:



Geben Sie dieses Handbuch an den Verbraucher weiter.



### VERBRAUCHER:

Bewahren Sie dieses Handbuch für zukünftige Informationen auf.

### Fragen:

Wenn Sie Fragen während der Montage oder des Gebrauchs dieses Geräts haben, kontaktieren Sie bitte einen Händler in Ihrer Nähe.

	<b>GEFAHR</b>	
<p>Wenn Sie Gas riechen:</p> <ol style="list-style-type: none"> <li>1. Schalten Sie die Gaszufuhr zum Gerät ab.</li> <li>2. Löschen Sie alle offenen Flammen.</li> <li>3. Öffnen Sie den Deckel.</li> <li>4. Sollte der Geruch weiterhin auftreten, entfernen Sie sich vom Gerät und rufen sofort Ihren Gaslieferanten oder die Feuerwehr.</li> </ol>		

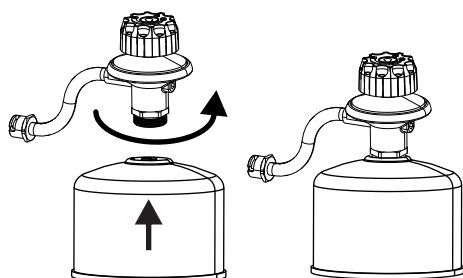
	<b>GEFAHR</b>	
<ol style="list-style-type: none"> <li>1. Lassen Sie das Gerät während des Betriebs niemals unbeaufsichtigt.</li> <li>2. Verwenden Sie dieses Gerät niemals in einem Abstand von 3m oder weniger zu Strukturen, brennbaren Materialien oder anderen Gasbehältern oder -kartuschen.</li> <li>3. Benutzen Sie dieses Gerät niemals in einem Abstand von 7,5m oder weniger zu brennbaren Flüssigkeiten.</li> <li>4. Sollte ein Feuer entstehen, halten Sie sich von dem Gerät fern und rufen sofort die Feuerwehr. Versuchen Sie nicht ein Öl- oder Fettfeuer mit Wasser zu löschen.</li> </ol>		

Das Nichtbeachten dieser Anweisungen kann zu Feuer-, Explosions- oder Verbrennungsgefahr führen, was Eigentums- oder Personenschäden hervorrufen kann und im schlimmsten Fall zum Tode führen kann.

### TECHNISCHE DATEN

Gasverbrauch: 2,8 kW (204 g/h)  
 Größe des Einspritzers: 0,80 mm  
 Gasart: Butan-Propangemisch

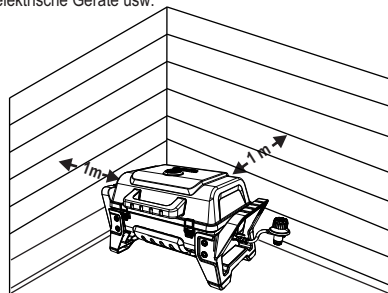
### ANSCHLUSS VON GASKARTUSCHEN



	<b>WARNUNG:</b>	
--	-----------------	---

**Für den sicheren Gebrauch Ihres Geräts und zur Vermeidung von ernsthaften Verletzungen:**

- **NUR IM FREIEN BENUTZEN. NIEMALS IN GEBÄUDEN BENUTZEN.**
- Lesen Sie die Anweisungen, bevor Sie das Gerät benutzen. Folgen Sie immer diesen Anweisungen.
- Bewegen Sie nicht das Gerät während des Gebrauchs.
- Nur auf stabiler, horizontaler Ebene verwenden.
- Zugängliche Teile können sehr heiß werden. Halten Sie kleine Kinder fern. Lassen Sie Kinder nicht das Gerät bedienen oder in dessen Nähe spielen.
- Dieses Gerät muss während des Gebrauchs fern von brennbaren Materialien gehalten werden.
- Verschließen Sie keine Löcher in den Seiten oder in der Rückseite des Geräts.
- Kontrollieren Sie die Flammen des Brenners regelmäßig.
- Verdecken Sie nicht die Luftöffnungen (Lufttrichter) am Brenner.
- Benutzen Sie das Gerät nur an gut belüfteten Plätzen. Benutzen Sie es NIE in geschlossenen Plätzen wie zum Beispiel Garagenstellplätzen, Garagen, Vorhallen, überdachten Terrassen oder unter hoch liegenden Strukturen jeglicher Art.
- Benutzen Sie keine Holzkohle oder Keramik-Briketts in einem Gasgerät.
- Bedecken Sie **NICHT** die Roste mit Aluminiumfolie oder anderem Material. Dies wird die Brennerbelüftung hemmen und möglicherweise zu einer gefährlichen Situation führen, die Eigentums- und/oder Personenschäden zur Folge haben kann.
- **Benutzen Sie das Gerät mind. 1 m von Wänden oder anderen Oberflächen entfernt.** Halten Sie 3 m Abstand zu Objekten, die sich entflammen oder Feuerquellen darstellen können, wie zum Beispiel Kontroll-Leuchten an Wasserkochern, elektrische Geräte usw.



- Versuchen Sie **NIEMALS** den Brenner mit geschlossenem Deckel anzuzünden. Eine Anhäufung von nicht angezündetem Gas innerhalb eines geschlossenen Geräts ist höchst gefährlich - Explosionsgefahr.
- Schalten Sie immer das Gas am Behälter ab und trennen Sie den Regler ab, bevor Sie den Gasbehälter und/oder den Grill bewegen.
- Nehmen Sie den Grill nicht in Betrieb, wenn die Gaskartusche nicht wie in dieser Anleitung beschrieben angebracht wurde.
- Nehmen Sie keine Änderungen am Gerät vor. Jegliche Änderungen sind strengstens verboten. Abgedichtete Teile dürfen nicht durch den Verbraucher manipuliert werden. Zerlegen Sie nicht die Einspritzer.

### ANFORDERUNGEN AN DEN REGLER

- Verwenden Sie nur Regler, die mit diesem Gerät mitgeliefert oder vom Hersteller zur Verfügung gestellt wurden.

### Sicherheitstipps

- Wenn das Gerät nicht in Gebrauch ist, drehen Sie alle Bedienknöpfe und Gasleitungen zu.
- Benutzen Sie Grillwerkzeuge mit langen Griffen und Ofenhandschuhe, um Brandwunden zu vermeiden. Benutzen Sie Schutzhandschuhe beim Handtieren mit heißen Teilen.
- Die Fettauffangschale (falls mitgeliefert) muss in das Gerät eingefügt und nach jedem Gebrauch entleert werden. Entfernen Sie die Fettauffangschale nicht, bevor das Gerät nicht vollständig abgekühlt ist.
- Seien Sie sehr vorsichtig, wenn Sie den Deckel öffnen, da heißer Dampf austreten kann.
- Seien Sie sehr vorsichtig, wenn sich Kinder, ältere Menschen oder Haustiere in der Nähe befinden.
- Wenn Sie bemerken, dass fett oder anderes heißes Material vom Gerät auf das Ventil, den Schlauch oder den Regler tropft, dann drehen Sie die Gaszufuhr sofort ab. Finden Sie die Ursache, beheben diese, reinigen und prüfen Sie das Ventil, den Schlauch und den Regler, bevor Sie weitermachen. Führen Sie eine Leckprüfung durch.

	<b>ACHTUNG</b>	
---	----------------	---

- Lesen und befolgen Sie alle Sicherheits-, Aufbau-, Pflege- und Gebrauchsinweise, bevor Sie das Gerät montieren und in Betrieb nehmen.
- Einige Teile können scharfe Kanten haben. Es wird empfohlen Schutzhandschuhe zu tragen.

### Fettbrände

- **Fettbrände können unmöglich durch Schließen des Deckels gelöscht werden. Grillgeräte sind aus Sicherheitsgründen gut belüftet.**
- **Versuchen Sie nicht einen Fettbrand mit Wasser zu löschen, da dies zu Personenverletzungen führen kann. Sollte sich ein hartnäckiger Fettbrand entwickeln, drehen Sie die Bedienknöpfe und Gasbehälter zu.**
- **Wenn das Gerät nicht regelmäßig gereinigt wurde, kann ein Fettbrand entstehen, wodurch das Produkt beschädigt werden kann. Seien Sie sehr vorsichtig beim Vorwärmen oder Verbrennen von Speiserückständen, um zu verhindern, dass sich ein Fettbrand entwickeln kann.. Folgen Sie den Anweisungen zur Allgemeinen Gerätereinigung und zur Reinigung der Brennvorrichtung, um einen Fettbrand zu verhindern.**
- **Der beste Weg, einen Fettbrand zu vermeiden, ist die regelmäßige Reinigung des Geräts**

### GASKARTUSCHEN

- Dieses Gerät darf nur mit Butan / Propan-Einwegkartuschen verwendet werden. Mit einem EN417 Ventil: wie die CFH 230g, Zapp 445g, 500g oder gleichwertig Coleman, ohne Überschreitung 500g.
- Es kann lebensgefährlich sein, zu versuchen andere Arten von Gasflaschen anzuschließen.
- Wechseln Sie den Gasbehälter im Freien und von Menschen entfernt. Trennen oder wechseln Sie **NICHT** den Gasbehälter im Abstand von 3m zu einer offenen Flamme oder einer anderen Feuerquelle oder Personen.
- Stellen Sie sicher, dass die Gaskartusche leer ist, bevor Sie diesen auswechseln (vorsichtig schütteln, um zu hören, ob sich darin noch Flüssigkeit befindet).
- Stellen Sie sicher, dass die Brenner aus sind, bevor Sie die Gaskartusche abtrennen.
- Überprüfen Sie, dass alle Dichtungen vorhanden sind und sich in gutem Zustand befinden, bevor Sie den Gasbehälter anschließen. Prüfen Sie alle Dichtungen, bevor Sie einen neuen Gasbehälter an das Gerät anschließen.
- Verwenden Sie das Gerät nicht, wenn es beschädigte oder abgenutzte Dichtungen hat. Versuchen Sie nicht die Dichtungen zu reparieren. Fordern Sie beim Hersteller neue Ersatzteile an.
- Verwenden Sie nicht ein Gerät, das undicht oder beschädigt ist, oder sogar nicht ordnungsgemäß funktioniert.
- Sollte Ihr Gerät undicht sein (Gasgeruch), bringen Sie es sofort nach draußen, an einen gut belüfteten, flammenfreien Ort, wo die undichte Stelle ausfindig gemacht und beseitigt werden kann. Wenn Sie nach undichten Stellen an Ihrem Gerät suchen wollen, dann tun Sie das im Freien. Versuchen Sie nicht eine undichte Stelle unter Verwendung einer offenen Flamme zu suchen, verwenden Sie Seifenwasser

- Regler in Position OFF verriegelt. Auf drehen, um ihn zu entriegeln.

## Anzünden mit Zündvorrichtung

### LESEN SIE VOR DEM ANZÜNDEN DIE ANWEISUNGEN.

Lehnen Sie sich beim Anzünden NICHT über das Gerät.

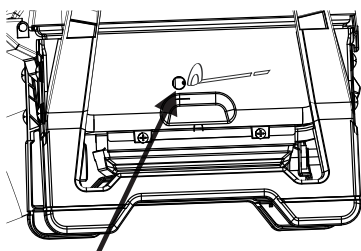
1. Drehen Sie den Regler auf .
2. Schließen Sie die LP-Gaskartusche an.
3. Öffnen Sie den Gerätedeckel.
4. Drücken und drehen Sie den Regler auf die Position .
5. Drücken Sie den Zündknopf schnell.
6. Nach erfolgter Zündung, drehen Sie den Regler auf die gewünschte Einstellung.
7. Falls die Zündung nicht innerhalb von 5 Sekunden erfolgt, drehen Sie den Regler auf (Kreis-Symbol), um das Ventil zu schließen. Warten Sie 5 Minuten und wiederholen Sie den Zündvorgang.

Sollte immer noch keine Zündung erfolgen, dann befolgen Sie die Anweisungen zum Anzünden mit Zündhölzern.

## Anzünden mit Zündhölzern

Lehnen Sie sich beim Anzünden nicht über das Gerät.

1. Gehen Sie vor wie im obigen Kapitel "Anzünden mit Zündvorrichtung" Schritte 1 bis 4 beschrieben.
2. Halten Sie ein brennendes Zündholz in das Zündloch.
3. Wenn die Zündung NICHT innerhalb von 5 Sekunden erfolgt, drehen Sie den Regler auf , warten 5 Minuten und wiederholen den Zündvorgang.

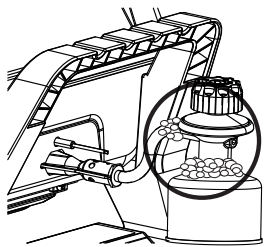


Zündholzloch

## Ventile, Schlauch und Regler auf Gasaustritte überprüfen

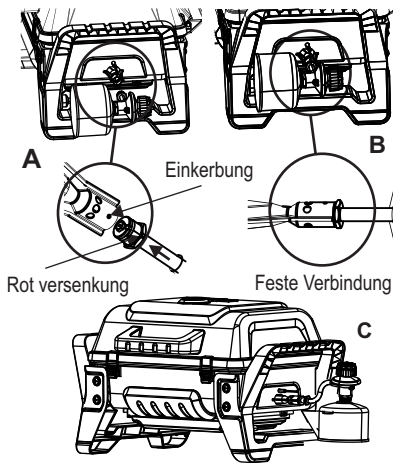
Führen Sie eine Gasaustritts-Überprüfung mindestens einmal im Jahr durch und jedes Mal, wenn die Gaskartusche gewechselt bzw. abgenommen wurde.

1. Drehen Sie Regler auf .
2. Stellen Sie sicher, dass das Reglerventil fest und dicht mit der Gaskartusche verbunden ist.
3. Wenn Sie ein rauschendes Geräusch hören, entfernen Sie sofort die Gaskartusche. Es gibt ein größeres Leck in der Verbindung. Beheben Sie dies, schließen die Gaskartusche wieder an und fahren Sie fort.
4. Geben Sie Seifenwasser (Mischung, bestehend zur Hälfte aus Seife und Wasser) auf die Schlauchverbindungen und die umliegenden Gebiete (siehe Abbildung unten).
5. Wenn sich Blasen an den mit Seifenwasser beschriebenen Stellen bilden, dann liegt ein Leck vor. Überprüfen Sie, ob die Gaskartusche korrekt angeschlossen ist. Sollte das Leck weiterhin vorliegen, ersetzen Sie die Kartusche und versuchen es erneut. Sollte es nicht möglich sein, das Leck zu entfernen, dann versuchen Sie nicht, die undichten Teile zu reparieren. Verlangen Sie nach Ersatzteilen.



## Montage/Demontage des Reglers/Ventils

1. Der Knopf zeigt nach rechts, führen Sie den Regler / das Ventil in das Ende des Brenners ein (A). Die Einkerbung des Reglers/Ventils MUSS in der Versenkung im Ende des Brenners einrasten.
2. Sobald der Regler/das Ventil fest am Brenner sitzt, drehen Sie den Regler/ das Ventil gegen Uhrzeigersinn (B), um beides mit dem Knopf in der in (C) angezeigten Position zu verankern.
3. Zur Demontage führen Sie die Schritte in umgekehrter Reihenfolge durch.



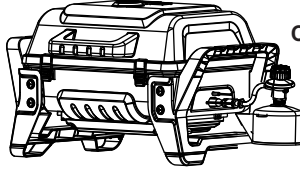
A

Einkerbung

B

Rot versenkung

Feste Verbindung



C



## SPINNENALARM

SPINNEN UND SPINNWEBEN IM BRENNER

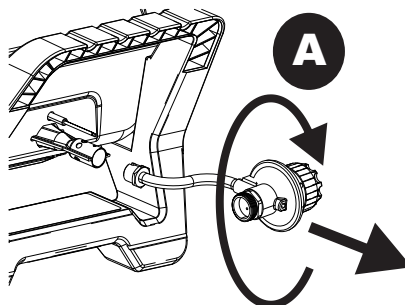


Wenn Ihr Grill schlecht zündet oder die Flamme schwach sein sollte, überprüfen und reinigen Sie die Lufttrichter und die Brenner.

Spinnen oder kleine Insekten sind dafür bekannt, „Flammendurchschlag“-Probleme zu verursachen, durch das Bauen von Nestern und das Legen von Eiern in den Lufttrichtern oder im Brenner, wodurch der Gasfluss behindert wird. Das zurückgehaltene Gas kann sich hinter der Schalttafel entzünden. Dieser Flammenrückschlag kann Ihren Grill beschädigen und Verletzungen verursachen. Um Flammenrückschläge zu verhindern und eine gute Leistung zu garantieren, sollte der Brenner und das Lufttrichterrohr entfernt und gereinigt werden, wann immer der Grill für längere Zeit nicht benutzt wurde.

## Reinigen der Brennvorrichtung

1. Drehen Sie das Gas am Regler auf (Kreis-Symbol) und trennen Sie die Gaskartusche.
2. Entfernen Sie die Grillplatte.
3. Entfernen Sie den Regler von der Brennerleitung, indem Sie den (1) Regler eine Vierteldrehung im Uhrzeigersinn drehen bis der Regler rechts sitzt, dann ziehen Sie den Regler (2) heraus. Angezeigt in Abb. A
4. Wischen Sie die keramische Elektrode mit Waschbenzin und einem Lappen sauber. Reinigen Sie die Außenseite des Brenners mit Wasser und Seife. Fügen Sie einen Gartenschlauch (vorzugsweise mit Düse) in die Brennerleitung und lassen Sie das Wasser aus dem Schlauch austreten. Stellen Sie sicher, dass Wasser aus allen Brenneröffnungen herausfließt. Öffnen Sie die Brenneröffnungen mit einem dünnen Draht. Lassen Sie den Brenner vollständig trocken und überprüfen Sie die Öffnungen. Aufgrund von normaler Abnutzung und Korrosion können sich einige Öffnungen vergrößert haben, sollte das der Fall sein ersetzen Sie den Brenner. Sollten irgendwelche horizontale Brüche von einer Öffnung zur anderen oder große Löcher (anders als die Öffnungen) auftreten, ersetzen Sie den Brenner.
5. Wenn der Grill für längere Zeit beiseite gestellt wird, dann benetzen Sie den Brenner mit Bratöl. Wickeln diesen in einen sicheren Schutz, sodass keine Insekten eindringen können. Falls Sie ihn nicht beiseite stellen, gehen Sie wie folgt vor.
6. Schließen Sie den Regler wieder an.
7. Bringen Sie die Grillplatte wieder an.
8. Bevor Sie Drähte an der Zündvorrichtung, führen Sie einen "Leck-Test" durch sowie "Überprüfen der Brennerflamme".



A

## Aufbewahrung des Geräts

- Grillroste reinigen.
- An einem trockenen Ort aufbewahren.
- Wenn die Gaskartusche am Gerät angeschlossen ist, dann bewahren Sie dieses im Freien an einem gut belüfteten Ort und für Kinder unreachbar auf.
- Decken Sie das Gerät zur Aufbewahrung im Freien ab.
- Bewahren Sie das Gerät NUR dann in Gebäuden auf, wenn die Gaskartusche vom Gerät abgetrennt, aus dem Gerät entfernt, gut verschlossen ist und im Freien aufbewahrt wird.
- Beim Herausnehmen des Geräts von seinem Aufbewahrungsplatz, kontrollieren Sie den Brenner auf Verstopfung.

## Allgemeine Gerätereinigung

- Reinigen Sie das Gerät oft, vorzugsweise nach jedem Gebrauch. Wenn eine Reinigungsbürste benutzt wird, um jegliche Kochoberflächen des Geräts zu reinigen, dann stellen Sie sicher, dass keine lockeren Borstenüberreste auf den Kochoberflächen vor dem Grillen zurückbleiben. Es wird nicht empfohlen, die Kochoberfläche zu reinigen, wenn das Gerät noch heiß ist.

Das Gerät sollte mindestens einmal im Jahr gereinigt werden.

- Verwechseln Sie keine braunen oder schwarzen Schmierfettansammlungen und Rauch mit Farbe. Die Innenseite von Gasgrills werden werkseitig nicht angestrichen (und sollten nie angestrichen werden). Verwenden Sie eine starke Reinigungslösung und Wasser oder benutzen Sie ein Gerätereinigungsmittel mit Scheuerbürste auf der Innenseite des Gerätedeckels und -bodens. Abspülen und komplett an der Luft abtrocknen lassen. Verwenden Sie kein ätzendes Gerät/Ofenreinigungsmittel auf angestrichenen Oberflächen.

- Kunststoffteile: Mit warmem Spülwasser waschen und trocken wischen.

Benutzen Sie keine ätzenden Scheuermittel, Entfetter oder ein konzentriertes Gerätereinigungsmittel auf Kunststoffteilen. Es können Schäden und Fehler an den Teilen auftreten.

- Porzellanoberflächen: Wegen der glasartigen Zusammensetzung können die meisten Rückstände einfach mit einer Natron/Wasserlösung oder besonders formulierten Reinigungsmitteln weggewischt werden. Benutzen Sie nicht scheuernde Pulver für hartnäckige Flecken.

- Lackierte Oberflächen: Mit mildem oder nicht scheuerndem Reinigungsmittel und warmem Seifenwasser abwaschen. Mit einem weichen nicht kratzenden Tuch trocken wischen.

- Oberflächen aus Edelstahl: Um die Erscheinung Ihres Geräts von hoher Qualität beizubehalten, waschen Sie es mit mildem Reinigungsmittel und warmem Seifenwasser ab und wischen es mit einem weichen Tuch nach jedem Gebrauch trocken. Angebrannte Fettreste könnten den Gebrauch eines rauen Kunststoffschwamms erforderlich machen. Benutzen Sie diesen nur in Richtung der lackierten Fläche, um Schäden zu vermeiden. Benutzen Sie keine Scheuerschwämme auf bedruckten Bereichen.

- Kochoberflächen: Wenn eine Reinigungsbürste benutzt wird, um jegliche Kochoberflächen des Geräts zu reinigen, dann stellen Sie sicher, dass keine lockeren Borstenüberreste auf den Kochoberflächen vor dem Grillen zurückbleiben. Es wird nicht empfohlen, die Kochoberflächen zu reinigen, wenn das Gerät noch heiß ist.

## Wenn die Zündvorrichtung nicht zündet

Vergewissern Sie sich, dass die Gasleitung an der Gaskartusche geöffnet ist.

Vergewissern Sie sich, dass die Gaskartusche nicht leer ist. Macht der Zünder ein knisterndes Geräusch? Wenn ja, dann schauen Sie, ob Funken am Brenner entstehen.

Wenn keine Funken entstehen, dann schauen Sie nach beschädigten oder losen Drähten an der Zündvorrichtung.

Wenn die Drähte OK sind, dann kontrollieren Sie, ob die Elektrode gebrochen oder gerissen ist und ersetzen diese wenn nötig.

Wenn Drähte oder die Elektrode mit Kochrückständen bedeckt sind, reinigen Sie die Elektrodenspitze mit einem alkoholgetränkten Tuch wenn nötig.

Sollte es notwendig sein, dann ersetzen Sie die Drähte. Sollte kein Geräusch entstehen, kontrollieren Sie die Batterie.

Vergewissern Sie sich, dass die Batterie richtig installiert ist.

Überprüfen Sie, ob es lose Drähte am Modul und am Schalter gibt.

Sollte der Zünder weiterhin nicht funktionieren, verwenden Sie Zündhölzer zum Anzünden.

Sollte dieses Gerät eine Reparatur benötigen, wenden Sie sich bitte an Ihren Händler oder Kriswell A/S. Die Kontaktdaten für Kriswell A/A finden Sie auf Seite 40.

**IMPORTANTE:** Leggere le istruzioni per l'uso con attenzione, in modo da familiarizzare con l'apparecchio prima di collegarlo al suo contenitore del gas. Conservare queste istruzioni per consultazioni future.

**Utilizzare esclusivamente all'aperto.**

Categoria dell'apparecchio: alimentato a pressione di vapore di una miscela di butano e propano

## INSTALLATORE/MONTATORE

Lasciare questo manuale al consumatore.

## CONSUMATORE

Conservare questo manuale per la futura consultazione.

### Dubbi:

In caso di dubbi durante il montaggio o l'utilizzo di questo apparecchio, contattare il venditore locale.

	<b>PERICOLO</b>	
<p>In caso di odore di gas:</p> <ol style="list-style-type: none"> <li>1. Chiudere il gas dall'apparecchio</li> <li>2. Spegnerne tutte le fiamme accese</li> <li>3. Aprire il coperchio</li> <li>4. Se l'odore persiste, tenersi lontani dall'apparecchio e contattare immediatamente il fornitore del gas oppure i Vigili del fuoco.</li> </ol>		

	<b>PERICOLO</b>	
<ol style="list-style-type: none"> <li>1. Non utilizzare mai l'apparecchio incustodito.</li> <li>2. Non utilizzare l'apparecchio entro 3 metri di distanza da qualsiasi struttura, materiale combustibile, altre bombole o cartucce di gas.</li> <li>3. Non utilizzare l'apparecchio entro 7,5 metri di distanza da qualsiasi liquido infiammabile.</li> <li>4. In caso di incendio, mantenersi lontani dall'apparecchio e chiamare immediatamente i vigili del fuoco. Non tentare di estinguere con acqua un incendio generato da olio o grasso.</li> </ol>		
<p>La mancata osservanza di queste istruzioni potrebbe provocare incendi, esplosioni o ustioni, che potrebbero causare danni materiali, lesioni personali o morte.</p>		

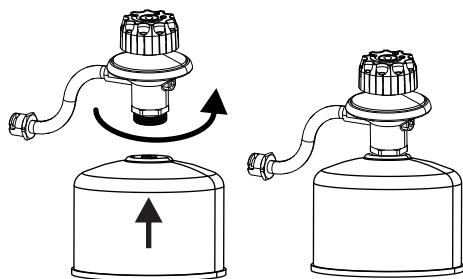
### DATI TECNICI

Consumo di gas: 2,8 kW (204 g/ora)

Dimensione iniettore: 0,80 mm

Tipo di gas: miscela di butano e propano

### COLLEGAMENTO DELLE CARTUCCE DI GAS



	<b>AVVISO</b>	
<p><b>Per un uso sicuro dell'apparecchio e per evitare gravi lesioni:</b></p> <ul style="list-style-type: none"> <li>• <b>UTILIZZARE SOLO ALL'ESTERNO. NON UTILIZZARE MAI ALL'INTERNO.</b></li> <li>• Leggere le istruzioni prima di utilizzare l'apparecchio. Seguire sempre le presenti istruzioni.</li> <li>• La parti accessibili possono essere molto calde. Tenere lontani i bambini piccoli. Non lasciare che i bambini adoperino l'apparecchio o vi giochino</li> <li>• Utilizzare esclusivamente su una superficie orizzontale stabile.</li> <li>• Questo apparecchio deve essere tenuto lontano da materiali infiammabili durante l'uso.</li> <li>• Non ostruire i fori posti sui lati o sul retro dell'apparecchio.</li> <li>• Controllare le fiamme del bruciatore regolarmente.</li> <li>• Non bloccare le aperture di Venturi sul bruciatore.</li> <li>• Utilizzare l'apparecchio solo ambienti ben ventilati. <b>NON utilizzare MAI in spazi chiusi come posto auto coperto, garage, veranda, patio coperto oppure sotto una struttura sopraelevata di qualsiasi tipo.</b></li> <li>• Non utilizzare carbone o mattonelle di ceramica nell'apparecchio a gas.</li> <li>• <b>NON</b> coprire le grate con fogli di alluminio o con altro materiale per evitare il blocco della ventilazione e creare una condizione potenzialmente pericolosa che può portare un danno a cose o lesioni a persone.</li> <li>• <b>Utilizzare l'apparecchio ad almeno 1 m di distanza da pareti o superfici.</b> Mantenere 3 m di spazio da oggetti catturare fiamme o che siano fonti di incendio come fiamme pilota, scaldabagni, apparecchi elettrici carichi, ecc.</li> </ul>		
		
<ul style="list-style-type: none"> <li>• Non tentare MAI di accendere il bruciatore con il coperchio chiuso. La formazione di gas non combusto all'interno dell'apparecchio chiuso è pericoloso.</li> <li>• Chiudere sempre il gas dalla bombola e scollegare il regolatore prima di spostare la bombola del gas dalle posizioni operative specifiche.</li> <li>• Non utilizzare l'apparecchio con la bombola del gas non correttamente posizionata.</li> <li>• Non modificare il dispositivo. È assolutamente vietata qualsiasi modifica. Le parti sigillate non devono essere manipolate dall'utente. Non smontare gli iniettori.</li> </ul>		

### REQUISITI DEL REGOLATORE

- Utilizzare esclusivamente il regolatore fornito con il prodotto o il ricambio fornito dal fabbricante.

## Suggerimenti per la sicurezza



- Quando l'apparecchio non è in uso, chiudere tutte le manopole di controllo e il gas.
- Utilizzare utensili da barbecue con manico lungo e guanti da forno per evitare ustioni e schizzi. Utilizzare guanti protettivi per maneggiare componenti caldi.
- Il vassoio del grasso (se fornito) deve essere inserito nell'apparecchio e svuotato dopo ogni uso. Non rimuovere il vassoio del grasso finché l'apparecchio non sia completamente freddo.
- Fare molta attenzione quando si apre il coperchio in quanto vi può essere una fuoriuscita di vapore caldo.
- Fare molta attenzione quando bambini, anziani e animali domestici sono nelle vicinanze.
- Se si nota grasso o altro materiale grasso che gocciola dall'apparecchio nella valvola, nel tubo o nel regolatore, spegnere subito il gas. Stabilire la causa, ripararla, quindi pulire e ispezionare la valvola, il tubo e il regolatore prima di continuare. Eseguire un test della perdita.

	<b>AVVERTENZA</b>	
<ul style="list-style-type: none"> <li>• Leggere e seguire le informazioni di sicurezza</li> <li>• Alcune parti possono contenere bordi affilati. Si raccomanda di indossare guanti protettivi.</li> </ul>		
<h3>Fiammate di grasso</h3>		
<ul style="list-style-type: none"> <li>• <b>Non è possibile spegnere le fiammate di grasso chiudendo il coperchio. Le griglie sono ventilate per motivi di sicurezza.</b></li> <li>• <b>Non utilizzare acqua sulla fiammata di grasso per evitare lesioni personali. In caso di formazione di fiammata di grasso persistente chiudere la manopola e la bombola del gas.</b></li> <li>• <b>Se l'apparecchio non viene regolarmente pulito, una fiammata di grasso può danneggiare il prodotto. Fare molta attenzione durante il pre-riscaldamento o la bruciatura dei residui, accertandosi che non si sviluppino fiammate di grasso. Seguire le istruzioni di Pulizia generale dell'apparecchio e Pulizia del gruppo bruciatori per prevenire le fiammate di grasso.</b></li> <li>• <b>Il modo migliore per prevenire le fiammate di grasso è la regolare pulizia dell'apparecchio.</b></li> </ul>		

### CARTUCCE DI GAS

- Questo apparecchio deve essere utilizzato esclusivamente con cartucce di gas butano e getta / propano con valvola EN417: come la 230g CFH, Zapp 445g, 500g o equivalente Coleman, senza superare 500g.
- Tentare il collegamento di altri tipi di bombole di gas può essere pericoloso.
- Modificare il contenitore di gas al di fuori e lontano dalla gente. **NON** scollegare o sostituire il contenitore del gas entro 3 metri di distanza da una fiamma libera, altre fonti di ignizione o altre persone.
- Prima di sostituire la cartuccia di gas, controllare che sia vuota (agitarla per sentire il rumore del liquido).
- Prima di scollegare la cartuccia di gas, controllare che i bruciatori siano completamente spenti.
- Prima di collegare il contenitore del gas, controllare che le guarnizioni siano in posizione e in buono stato. Controllare le guarnizioni prima di collegare un nuovo contenitore del gas all'apparecchio.
- Non utilizzare l'apparecchio se le guarnizioni sono danneggiate o usurate. Non tentare di riparare le guarnizioni. Utilizzare parti nuove del fabbricante originale.
- Non utilizzare l'apparecchio in caso di perdite, danneggiamenti o funzionamento scorretto.
- In presenza di una perdita dall'apparecchio (odore di gas), portarlo immediatamente all'aria aperta, in un luogo ben ventilato in cui non siano presenti fiamme libere, dove sia possibile individuare la perdita e arrestarla. Se si desidera controllare la presenza di perdite dal proprio apparecchio, farlo all'aria aperta. Non tentare di individuare le perdite utilizzando una fiamma, ma usare acqua e sapone.



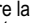


 Il regolatore si blocca in posizione OFF. Ruotare su  per sbloccare.

## Accensione del dispositivo di ignizione



### LEGGERE LE ISTRUZIONI PRIMA DI ACCENDERE

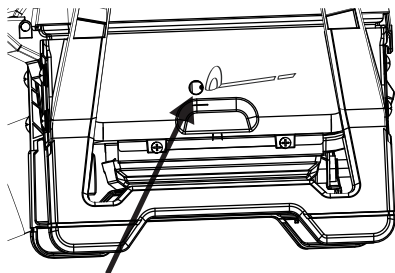
**NON sporgersi sopra l'apparecchio durante l'accensione.**

1. Ruotare la valvola di controllo del bruciatore a gas su .
2. Collegare la cartuccia di gas LP.
3. **Aprire** il coperchio della griglia.
4. Premere e ruotare la manopola di controllo verso la posizione .
5. Premere il pulsante di accensione rapidamente.
6. Una volta acceso il bruciatore, ruotare la manopola di controllo verso l'impostazione desiderata.
7. Se l'accensione non si verifica entro 5 secondi, ruotare la manopola di controllo su , attendere 5 minuti e ripetere la procedura di accensione.

**Se l'accensione ancora non si verifica, seguire le istruzioni per l'accensione con fiammiferi.**

### Accensione con fiammiferi

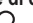
1. Posizionare un fiammifero acceso vicino al bruciatore. Ruotare la manopola di controllo del regolatore su .
2. Se l'accensione non si verifica in 5 secondi, ruotare la manopola di controllo del regolatore su , attendere 5 minuti e ripetere la procedura di accensione.

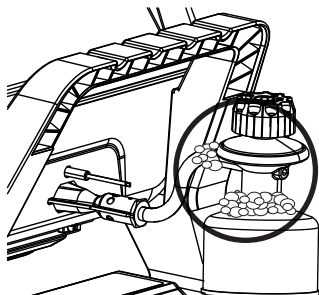


### Foro per fiammifero acceso

#### Prova di tenuta delle valvole, del tubo e del regolatore

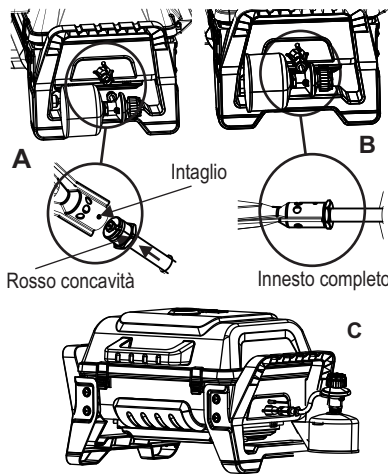
Eseguire una prova di tenuta almeno una volta all'anno e ad ogni sostituzione o disconnessione della cartuccia.

1. **Ruotare le manopole di controllo dell'apparecchio su .**
2. Accertarsi che la cartuccia del gas sia saldamente collegata al regolatore.
3. Se si sente un **suono forte**, rimuovere immediatamente la cartuccia. Significa che è presente una grande perdita alla connessione. **Correggere prima di procedere.**
4. Spazzolare con una soluzione saponosa (miscela costituita per metà di acqua e per l'altra metà di sapone) sui collegamenti dei tubi flessibili e sulle aree circostanti nella parte inferiore.
5. La comparsa di bolle **in aumento** è significativa della presenza di una perdita. Controllare la tenuta della cartuccia. Se la perdita continua, ricollegare la cartuccia e riprovare. Se non si riesce ad arrestare la perdita, non tentare di effettuare una riparazione. Ordinare le parti di ricambio.



#### Installazione/rimozione del regolatore/della valvola

1. Con la manopola che punta a destra, inserire il regolatore/la valvola fino alla parte finale del bruciatore (A).  
**L'intaglio sul regolatore/sulla valvola deve innestarsi nella concavità sulla parte finale del bruciatore.**
2. Una volta Regolatore / Valve ha completamente impegnato bruciatore, ruotare regolatore / valvola in senso antiorario (B) per bloccare in posizione con la manopola di puntamento come indicato (C).
3. Per rimuovere, seguire i passaggi inversi.



**AVVERTENZA**

**ALLARME RAGNI!**

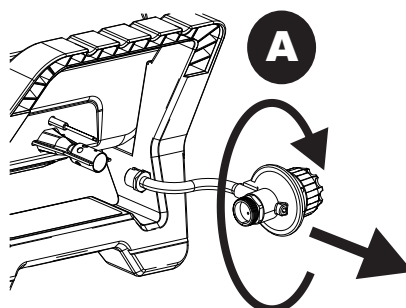
**RAGNI E RAGNATELE ALL'INTERNO DEL BRUCIATORE**



Se il barbecue stenta ad accendersi o la fiamma è debole, controllare e pulire i tubi Venturi e il bruciatore. I ragni e i piccoli insetti sono noti per la creazione di problemi di "ritorno" creando nidi e deponendo uova nei tubi Venturi o nel bruciatore oppure ostruendo il flusso del gas. Il gas di ritorno può infiammarsi dietro il pannello di controllo. Ciò può danneggiare il barbecue e causare lesioni. Per prevenire i ritorni e assicurare un buon funzionamento, il gruppo bruciatore il gruppo tubo Venturi devono essere rimossi e puliti quando il barbecue rimane inutilizzato per un lungo periodo di tempo.

### Pulizia del gruppo bruciatore

1. **Spegner** il gas ruotando la manopola di controllo del regolatore e **scollegare** la cartuccia di gas.
2. Rimuovere la griglia di cottura.
3. Rimuovere il regolatore dal tubo del bruciatore (1) ruotando il regolatore fino a quando la manopola è che punta a destra, quindi (2) tirare verso l'esterno. Vedi **FIG. A**
4. Pulire l'elettrodo in ceramica con alcool e un panno. Pulire l'esterno del bruciatore con acqua e sapone. Inserire il tubo da giardino (preferibilmente con ugello), nel tubo del bruciatore forzando l'acqua attraverso il tubo. Assicurarsi che l'acqua esca da ogni fessura. Aprire le fessure intasate con un filo sottile. **Lasciare asciugare completamente il bruciatore** ed esaminare le fessure. A causa della normale usura e corrosione alcune fessure possono tendere ad allargarsi, in tal caso sostituire il bruciatore. Se sono visibili eventuali crepe orizzontali tra le fessure o fori di grandi dimensioni (diversi dalle fessure), sostituire il bruciatore.
5. Se il barbecue deve essere immagazzinato, passare dell'olio da cucina sulle superfici fino a creare un leggero strato di copertura. Avvolgere con una copertura di protezione per tenere lontani gli insetti. Se non deve essere immagazzinato, utilizzare la seguente procedura.
6. Rimontare il regolatore.
7. Riposizionare la griglia di cottura.
8. Prima di cucinare di nuovo sulla griglia, eseguire un "Test delle perdite" e un "Controllo della fiamma del bruciatore".



### Conservare l'apparecchio

- Pulire le grate di cottura.
- Conservare in luogo secco.
- Con la cartuccia del gas collegata all'apparecchio, custodire all'aperto in uno spazio ben ventilato e lontano dalla portata dei bambini.
- Coprire l'apparecchio se conservato all'esterno.
- Custodire l'apparecchio in ambienti chiusi **ESCLUSIVAMENTE** con la cartuccia di gas scollegata, rimossa dall'apparecchio e custodita all'aperto.
- Quando si rimuove l'apparecchio per la conservazione, controllare che i bruciatori non siano ostruiti.

### Pulizia generale dell'apparecchio

- Pulire spesso l'apparecchio, preferibilmente dopo ogni cottura. Se si utilizza una spazzola a setole per la pulizia di tutte le superfici di cottura dell'apparecchio, accertarsi che non restino residui di setole sulle superfici di cottura prima dell'utilizzo. Si raccomanda di non pulire le superfici di cottura quando l'apparecchio è caldo. L'apparecchio deve essere pulito almeno una volta l'anno.
- Non confondere gli accumuli di grasso e di fumo con vernice. Le parti interne delle piastre a gas non sono verniciate dal costruttore (**e non devono mai essere verniciate**). Utilizzare una soluzione forte di detergente e acqua oppure utilizzare un pulitore per apparecchi con spazzola abrasiva per pulire gli interni e il fondo del coperchio dell'apparecchio. Risciacquare far asciugare completamente all'aria. **Non utilizzare pulitori per apparecchi/forni corrosivi sulle superfici verniciate.**
- **Parti in plastica:** lavare con acqua saponata calda e asciugare tamponando. Non utilizzare citrisol, pulitori abrasivi, sgrassanti o pulitori concentrati per apparecchi sulle parti plastiche. Possono causare danni o guasti alle parti stesse.
- **Superfici in porcellana:** data la composizione simil-vetro, molti residui possono essere detersi con soda/soluzione in acqua o con pulitori specificamente formulati. Utilizzare polvere pulente non abrasiva per le macchie ostinate.
- **Superfici verniciate:** lavare con detergente blando o con un pulitore non abrasivo e con acqua saponata calda. Asciugare tamponando con un panno non abrasivo morbido.
- **Superfici in acciaio:** per mantenere l'apparecchio in ottima forma e qualità, lavare con un detergente blando e acqua saponata calda e asciugare tamponando con un panno morbido dopo ogni uso. I depositi di grasso bruciato possono richiedere l'uso di un blocco plastica abrasivo. Non utilizzare il blocco abrasivo su zone con disegni.
- **Superfici di cottura:** se si utilizza una spazzola a setole per pulire l'apparecchio, accertarsi di non lasciare residui di setole sulle superfici di cottura prima dell'utilizzo. Si raccomanda di non pulire le superfici di cottura quando l'apparecchio è caldo.

### SE L'APPARECCHIO NON SI ACCENDE

Accertarsi che il gas sia acceso in prossimità della cartuccia.  
Accertarsi che sia presente del gas all'interno della cartuccia.

Gli iniettori producono un rumore tipo scintillio?  
Se la risposta è sì, controllare lo scintillio a livello del bruciatore.  
Se la risposta è no, controllare che non vi siano danni o fili scollegati.  
Se i fili sono OK, controllare che l'elettrodo non sia rotto o spaccato; sostituirlo se necessario.  
Se il filo o l'elettrodo è coperto da residui di cottura, pulire la punta dell'elettrodo con una salvietta imbevuta di alcool se necessario.  
Se necessario sostituire i fili.

Se non si avverte alcun rumore, controllare la batteria. Accertarsi che la batteria sia installata correttamente. Controllare che il collegamento dei fili sia corretto a livello del modulo e dell'interruttore.

Se l'iniettore continua a non funzionare, utilizzare un fiammifero

Se questo apparecchio deve essere riparato, si prega di contattare il proprio fornitore o Kriswell A/S. Si prega di consultare le Informazioni di contatto di Kriswell A/A a pagina 40.

**BELANGRIJK: Lees deze gebruiksaanwijzing zorgvuldig door om u zo vertrouwd te maken met het apparaat voordat deze aansloten wordt aan de gasfles. Bewaar deze gebruiksaanwijzing voor toekomstig gebruik.**

**Alleen voor buitenshuis gebruik.**

Apparaat Categorie: dampspanning-butaan-propana-mengsel

## INSTALLATEUR/MONTEUR

Laat deze handleiding bij de consument achter.

## CONSUMENT:

Bewaar deze handleiding voor toekomstig gebruik.

### Vragen:

Indien u vragen heeft gedurende de montage of het gebruik van dit apparaat, neem dan contact op met uw plaatselijke dealer.

**GEVAAR**

Indien u gas ruikt:

1. Draai de gaskraan dicht.
2. Doof open vuur.
3. Open de deksel.
4. Als de stank aanhoudt, blijf op afstand van het apparaat en bel onmiddellijk uw gasleverancier of de plaatselijke brandweer.

**GEVAAR**

1. Gebruik dit toestel nooit zonder toezicht.
2. Gebruik dit toestel nooit binnen 3m van een structuur, brandbaar materiaal of andere gasflessen of gaspatronen.
3. Gebruik dit toestel nooit binnen 7,5 m van licht ontvlambare vloeistoffen.
4. In geval van brand, blijf weg van het apparaat en bel onmiddellijk de brandweer. Probeer in geen geval een olie of vetbrand met water te blussen.

Indien u deze aanwijzingen niet nauwkeurig opvolgt, kan dat brand, explosie of brandgevaar veroorzaken wat materiële schade, persoonlijk letsel of dood tot gevolg kan hebben.

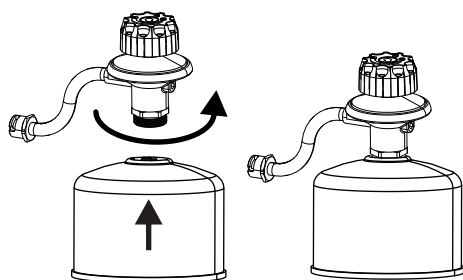
### TECHNISCHE GEGEVENS

Gasverbruik: 2,8 kW (204 g/u)

Injector Grootte: 0,80 mm

Type gas: butaan-propana mengsel.

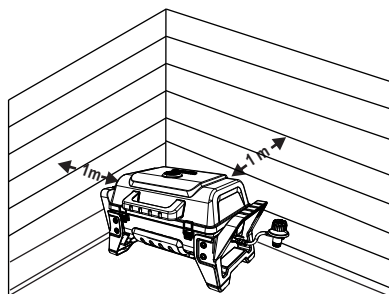
### AANSLUITING GASFLESSEN



WAARSCHUWING

### Voor Veilig Gebruik van Uw apparaat en om Ernstig Letsel te Voorkomen:

- **ALLEEN BUITEN TE GEBRUIKEN. GEBRUIK NOOIT BINNENSHUIS.**
- Lees de instructies zorgvuldig voordat u het apparaat in gebruik neemt. Volg altijd de onderstaande instructies op.
- Verplaats het apparaat nooit tijdens gebruik.
- Toegankelijke onderdelen kunnen erg warm worden. Houd jonge kinderen uit de buurt. Laat kinderen nooit het apparaat bedienen of in de omgeving van het apparaat spelen.
- Gebruik alleen op een stabiele horizontale ondergrond.
- Houd dit apparaat ver van brandbare materialen tijdens gebruik.
- Blokkeer geen van de gaten aan de zijkanten of achterkant van het apparaat.
- Controleer de brander vlammen regelmatig.
- Blokkeer geen van de venturi buisjes van de brander.
- Gebruik het apparaat uitsluitend in een goed geventileerde ruimte. Gebruik NOOIT in een afgesloten ruimte zoals een carport, garage, veranda, overdekte patio, of onder een onder wat voor een overdekking dan ook.
- Gebruik nooit houtskool of keramische briquettes in een gastoestel.
- Roosters **NOOIT** met aluminiumfolie of een ander materiaal afdekken. Dit blokkeert ventilatie van de brander en kan tot een mogelijk gevaarlijke situatie leiden met materiële schade en/of persoonlijk letsel als gevolg.
- Gebruik het apparaat minstens 1 m van elke wand of oppervlak. Zorg voor een afstand van minstens 3 m van objecten die vlam kunnen vatten of ontstekingsbronnen zoals waakvlammen van waterboilers, ingeschakelde elektrische apparaten, enz.



- Probeer NOOIT om een brander aan te steken met een gesloten dekstel. Een accumulatie van niet-ontbrand gas in een afgesloten apparaat is gevaarlijk.
- Schakel altijd gas van de gasfles uit en koppel de regelaar los voordat u de gasfles van diens specifieke positie verwijderd.
- Gebruik het apparaat nooit met een gasfles in een incorrecte positie.
- Maak geen aanpassingen aan het apparaat. Elke aanpassing of verandering is streng verboden. Afgedichte onderdelen mogen door de gebruiker niet aangepast worden. De injectoren niet demonteren.

### VOORSCHRIFTEN REGELAAR

- Gebruik alleen de regelaar die met dit product geleverd is of een vervanging betrokken van de fabrikant.

## Veiligheidstips

- Wanneer het apparaat niet in gebruik is, schakel dan alle regelknoppen en gas uit.
- Gebruik barbecue gereedschap met lange stelen en ovenwanten om brandwonden en spatten te voorkomen. Gebruik beschermende handschoenen bij het hanteren van hete onderdelen.
- De vetvangbak (indien aanwezig) moet in het apparaat aangebracht worden en na gebruik geleegd worden. Verwijder de vetvangbak alleen dan wanneer het apparaat volledig afgekoeld is.
- Wees voorzichtig wanneer u de deksel opent, aangezien hete stoom kan ontsnappen.
- Wees heel voorzichtig als er kinderen, bejaarden of huisdieren in de buurt zijn.
- Indien u ziet dat vet of een andere hete substantie uit het apparaat druipt op ventiel, slang of regelaar, schakel dan onmiddellijk het gas uit. Vind de oorzaak, corrigeer het, en inspecteer en reinig ventiel, slang en regelaar voordat u doorgaat. Voer een lekkagetest uit.

WAARSCHUWING

- Lees zorgvuldig en volg alle veiligheidsinstructies, montage handleiding en gebruiks- en onderhoudsinstructies op voordat u begint met monteren en koken.
- Sommige onderdelen kunnen scherpe randen hebben. Het gebruik van beschermende handschoenen wordt aanbevolen.

### Vetbrand

- Een vetbrand uitmaken door de deksel te sluiten is niet mogelijk. Om redenen van veiligheid zijn de grillen goed geventileerd.
- Vermijd gebruik van water in geval van een vetbrand, aangezien dit kan leiden tot persoonlijk letsel.
- Indien het apparaat niet regelmatig wordt schoongemaakt, kan een vetbrand ontstaan dat het product kan beschadigen. Let erop in geval van voorverhitten of verbranden van voedselresten dat geen vetbrand kan ontstaan. Volg de Algemene Reinigingsinstructies en Instructies voor het Reinigen van de Branders op om zo vetbrand te voorkomen.
- De beste manier is vetbrand te voorkomen is het regelmatig reinigen van het apparaat.

### GASFLESSEN



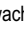
- Dit apparaat mag alleen gebruikt worden met butaan / propana wegwerp gaspatronen Met een EN417 afsluiter: zoals de CFH 230g, Zapp 445g, 500g of gelijkwaardig Coleman, zonder overschrijding van 500g.
- Het kan gevaarlijk zijn om andere types gasflessen aan te sluiten.
- Wijzig de gasfles buiten en uit de buurt van mensen. IN GEEN GEVAL de gasfles loskoppelen of vervangen binnen 3m van een open vuur of op andere ontstekingsbronnen of andere mensen.
- Controleer dat het gasfles leeg is voor vervanging (schud om klotsen van de vloeistof te horen)
- Controleer dat de branders uit zijn voordat het gasfles wordt losgekoppeld.
- Controleer dat de afdichtingen aanwezig en in goede staat zijn voor het aansluiten van de gasfles. Controleer de afdichtingen voordat u een nieuwe gasfles aan het apparaat aansluit.
- Gebruik het apparaat nooit als het beschadigd of versleten afdichtingen heeft. Probeer nooit om afdichtingen te repareren. Betrek nieuwe onderdelen van de fabrikant.
- Gebruik het apparaat nooit als het lekt, beschadigd is of niet goed functioneert.
- Als uw apparaat lekt (gasgeur), neem het onmiddellijk naar buiten in een goed geventileerde vlamvrije ruimte waar het lek ontdekt en gestopt kan worden. Indien u uw apparaat op lekken wilt controleren, doe dat dan buitenshuis. Probeer nooit een lek met een vlam te ontdekken, maar gebruik zeepwater.

- De regelknop staat vast in de OFF-stand. Draai naar  om te ontgrendelen.

## Aansteker aansteken



### LEES AANWIJZINGEN VOOR HET AANSTEKEN

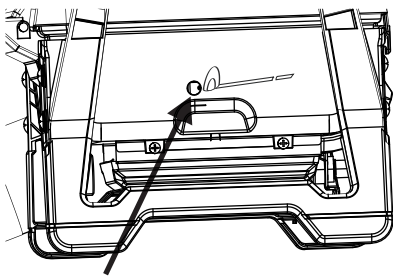
Leun **NOOIT** over het apparaat bij aansteken.

1. Draai gas AAN op de gasfles tot .
2. Sluit het LPG gasfles aan.
3. Open de grill deksel.
4. Druk op de regelknop en draai het naar de  stand.
5. Druk snel op de ontstekingsknop.
6. Zodra de brander is aangestoken, draai de regelknop naar de gewenste stand.
7. Als het aansteken NIET binnen 5 seconden gebeurt, draai de brander regelknop naar , wacht 5 minuten en herhaal de aansteekprocedure.

Als de aansteker niet werkt, volg dan de instructies voor het aansteken met lucifers.

### Aansteken met Lucifers

1. Houd de aangestoken lucifer naast de brander. Draai de regelaarknop naar .
2. Indien het aansteken NIET binnen 5 seconden plaats vindt, draai dan de regelaarknop naar , wacht 5 minuten en herhaal dan het aansteken.

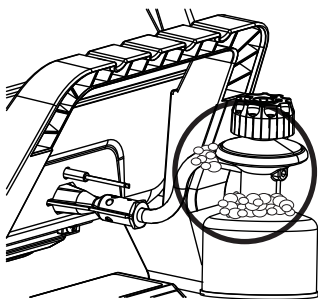


Luciferaansteker opening

### Testventielen, slangenregelaaroplekken.

Voer minstens een keer per jaar een lekkage test uit, en wanneer het gasfles wordt vervangen of ontkoppeld.

1. Draai bedieningsknoppen van het apparaat naar .
2. Zorg ervoor dat de regelaar nauw verbonden is met het gasfles.
3. Indien u een ruisend geluid hoort, dient u het patroon onmiddellijk te verwijderen. Er is dan een substantieel lek bij de aansluiting opgetreden. **Corrigeer dat voordat u doorgaat.**
4. Bestrijk met een zeepoplossing (mengsel van half zeep en half water) de slangverbindingen en de plaatsen hieronder omcirkeld.
5. Als luchtbellen verschijnen, is er een lek. Controleer de afsluiting van het gasfles. Indien het lek niet verholpen kan worden, probeer het in geen geval zelf te repareren. Bel voor vervangende onderdelen.

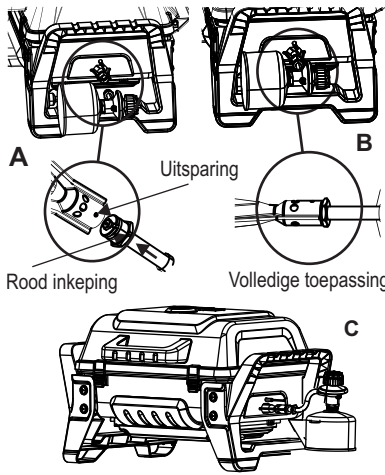


### Regelaar/Ventielklepinstallatie /Verwijderen

1. Met de knop wijst naar rechts, plaatst de Regelaar/Klep in het uiteinde van de brander (A)

De uitsparing in de Regelaar/Klep MOET op de inkeping aan het uiteinde van de brander aangesloten worden.

2. Zodra de Regelaar/Klep volledig is aangesloten op de brander, dient u de Regelaar/Klep tegen de klok in (B) om deze zo permanent te fixeren met de knop in de stand zoals weergegeven in (C).
3. Om te verwijderen, volg de stappen in omgekeerde volgorde.



## SPIN ALARM!

SPINNEN EN SPINNENWEBBEN IN DE BRANDER

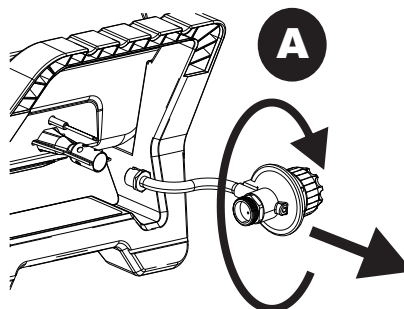


Wanneer uw barbecue moeizaam aangaat of de vlam zwak is, controleer en reinig de venturi buisjes en branders.

Spinnen en kleine insecten staan erom bekend dat zij "flashback" problemen veroorzaken doordat zij nesten bouwen en eieren leggen in de venturi buisjes en branders van de barbecue, waardoor de toevoer van gas wordt belemmerd. Het gecumuleerd gas kan achter het controlepaneel ontvlammen. Deze flashback kan uw barbecue beschadigen en letsel veroorzaken. Om flashbacks te voorkomen en voor een goede prestatie zorg te dragen, dienen brander en de venturi buisjes verwijderd en schoongemaakt te worden wanneer de barbecue geruime tijd ongebruikt is.

### Reinigen van de Brander Installatie

1. Schakel het gas uit bij de regelaarknop en ontkoppel het gaspatroon.
2. Verwijder het grillrooster.
3. Verwijder de regelaar van de branderslang door (1) de regelaar naar te knop is naar rechts (2) uit te trekken. Zie **Figuur A**
4. Veeg de keramische elektrode af met een doekje met wat schoonmaakalcohol. Reinig de buitenkant van de brander met water en zeep. Steek een tuinslang (liefst met mondstuk) in de branderslang en spuit water door de slang. Zorg ervoor dat water uit elke opening komt. Open verstopte openingen met een dunne metalen draad. Laat de brander grondig opdrogen en inspecteer de openingen. Ten gevolge van normaal gebruik en corrosie kunnen sommige openingen groter zijn. In dat geval dient de brander vervangen te worden. In geval van horizontale barsten of scheuren tussen de openingen, of in geval van grotere gaten (met uitzondering van de openingen) dient de brander vervangen te worden.
5. Indien de barbecue opgeslagen wordt, wrijf dan de brander met wat bakolie in. Verpak de barbecue in een beschermhoes om het tegen insecten te beschermen. Indien de barbecue niet wordt opgeslagen, volg dan de volgende stappen.
6. Sluit de regelaar opnieuw aan.
7. Vervang het grillrooster.
8. Voordat u de barbecue weer in gebruik neemt, dient u een „lekkage test“ en een „brander vlam test“ uit te voeren.



### Opslaan van uw Apparaat

- Reinigen kookroosters.
- Opslaan op een droge plek.
- Wanneer een gasfles is aangesloten op het apparaat, dan buiten opslaan in een goed geventileerde ruimte en buiten het bereik van kinderen houden.
- Bedek het apparaat indien bewaard buiten
- Sla het apparaat ALLEEN DAN binnenshuis op indien de gasfles is afgesloten en losgekoppeld, alsmede verwijderd van het apparaat en buiten opgeslagen.
- Bij het verwijderen van het apparaat voor de opslag cheque voor brander obstakels

### Algemene Reiniging Apparaat

- Reinig het apparaat vaak, vooral na koken. Als een borstel nooit gebruikt voor het reinigen, zorg er dan voor dat geen borstelharen achterblijven op het kookoppervlak voordat met grillen wordt begonnen. Het is niet raadzaam het kookoppervlak te reinigen terwijl het apparaat warm is.
- Het apparaat dient minstens een keer per jaar gereinigd te worden.
- Zie in geen geval bruine of zwarte ophoping van vet voor verf aan. De binnenkant van een gas grill wordt nooit geschilderd tijdens fabricage. **(en mag ook nooit geschilderd worden).** Gebruik een sterke oplossing van reinigingsmiddel en water of gebruik een apparaat reiniger met schrobborstel voor het reinigen van de binnenkant van deksel en onderkant van het apparaat. Afspoelen en in de open lucht volledig laten drogen. **Gebruik geen agressieve reiniger of ovenreiniger op geschilderde oppervlakken**
- **Kunststofonderdelen:** Was met warm zeepwater en droog af. Gebruik geen citrisol, schuurmiddelen, ontvetters of een geconcentreerde reiniger voor kunststof onderdelen. Dit kan resulteren in schade aan en uitval van onderdelen.
- **Porceleinen oppervlakken:** Door de glasachtige samenstelling kan de meeste aanslag eenvoudig verwijderd worden met zuiveringszout / wateroplossing of een speciaal schoonmaakmiddel. Gebruik een niet-schurend schuurmiddel voor hardnekkige vlekken.
- **Geschilderde oppervlakken:** Reinig met een mild schoonmaakmiddel of een niet-schurend reinigingsmiddel en warm zeepwater. Droog met een zacht, niet-schurend doekje.
- **Roestvrijstalen oppervlakken:** Om het hoogwaardig uiterlijk van uw apparaat te behouden, reinig met een mild schoonmaakmiddel en warm zeepwater en droog met een zacht doekje na elk gebruik. Voor het verwijderen van ingebakken vet kan gebruik van een schuursponsje nodig zijn. Gebruik alleen in de richting van geborstelde afwerking om schade te voorkomen. Gebruik geen schuursponsjes op plaatsen met een afbeelding.
- **Kookoppervlakken:** Als een borstel wordt gebruikt voor het reinigen van een kookoppervlak, zorg er dan voor dat er geen losse borstelharen op het kookoppervlak achterblijven voordat met grillen wordt begonnen. Het is niet raadzaam het kookoppervlak te reinigen terwijl het apparaat warm is.

### ALS APPARAAT NIET AANGESTOKEN KAN WORDEN

Zorg ervoor dat het gas aan is bij het gasfles. Zorg ervoor dat er gas in het gasfles is.

Maakt de ontsteker een vonkend Geluid? Indien ja, controleer de brander voor vonken. Indien er geen vonk is, zoek voor beschadigde of losse draden. Indien de draden in orde zijn, controleer gescheurde of gebroken elektrode, en vervang indien nodig. Wanneer draden of elektrodes met kookresten bedekt zijn, reinig dan indien nodig de elektrode met een alcoholdoekje. Indien nodig, vervang draden.

Indien geen geluid, controleer dan de batterij. Zorg ervoor dat de batterij correct geïnstalleerd is. Controleer of er losse verbindingen bij de module of schakelaar zijn.

Indien de aansteker weigert te werken, gebruik dan een lucifer.

Indien dit apparaat gerepareerd moet worden, neem dan contact op met uw leverancier of met Kriswell A / S. Voor de contactinformatie van Kriswell A / A, zie pagina 40.

**OBS: Läs bruksanvisningen noga så att du känner till produkten innan du ansluter den till gasolbehållaren. Behåll bruksanvisningen för framtida bruk.**

**Används endast utomhus.**

Anordningskategori: Blandning av butan och propan med ångtryck

### INSTALLATION/MONTERING:

Ge den här bruksanvisningen till kunden.

### KUNDEN:

Behåll bruksanvisningen för framtida bruk.

### Frågor:

Har du frågor om hur du monterar eller använder produkten, kontakta återförsäljaren.

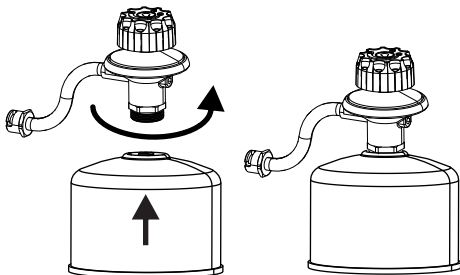
 <b>FARA</b> 
<p>Om det luktar gasol:</p> <ol style="list-style-type: none"><li>1. Stäng av produkten.</li><li>2. Släck öppna lågor.</li><li>3. Öppna locket.</li><li>4. Om lukten finns kvar, håll dig borta från produkten och ring omgående till din gasolleverantör eller till brandkåren.</li></ol>



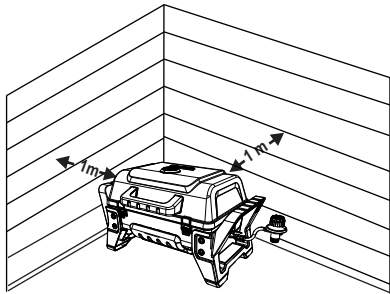
 <b>FARA</b> 
<ol style="list-style-type: none"><li>1. Se till att hela tiden ha uppsikt över produkten.</li><li>2. Använd inte produkten närmare än 3m till annat föremål, explosivt material eller andra gasolbehållare/gaspatroner.</li><li>3. Använd inte produkten närmare än 7,5m till någon brännbar vätska.</li><li>4. Om brand uppstår, håll dig borta från produkten och ring brandkåren. Försök inte släcka en olje- eller fettbrand med vatten.</li></ol>
<p>Om du inte följer anvisningarna kan det resultera i öppen eld, explosion eller en större brand, vilket kan medföra skada på egendom, personskada eller död.</p>

### TEKNISKA DATA

Gasolförbrukning: 2,8 kW (204 g/h)  
Injektorstorlek: 0,80 mm  
Typ av gas: butan/propan blandning.

### GASPATRONANSLUTNING



 <b>OBS!</b> 
<p><b>För säker användning av produkten och för att undvika allvarliga olyckor, gör på följande sätt:</b></p> <ul style="list-style-type: none"><li>• ANVÄNDS ENDAST UTMOMHUS. ALDRIG INOMHUS.</li><li>• Läs anvisningarna och följ dem alltid när du använder produkten.</li><li>• Flytta inte på produkten när du börjat grilla.</li><li>• Delar som används kan vara väldigt heta. Håll småbarn borta från produkten. Undvik att låta barn använda produkten eller leka i närheten av den.</li><li>• Används endast på plant underlag</li><li>• Produkten måste hållas avskild från brännbara material i samband med användning.</li><li>• Blockera inte hål på sidan av eller på baksidan av produkten.</li><li>• Kontrollera brännarlågan regelbundet.</li><li>• Blockera inte säkerhetsventilerna på brännaren.</li><li>• Använd produkten bara i ett välventilerat utrymme. Använd den ALDRIG i ett slutet utrymme som carport, garage, entré, täckt veranda eller under något tak av någon sort.</li><li>• Använd inte träkol eller briketter i en gasogrill.</li><li>• TÄCK INTE ÖVER grillgaller med aluminiumfolie eller annat material. Det blockerar ventilationen till brännaren vilket kan medföra risker för skador på produkten och/eller personskada.</li><li>• Använd verktyget med ett säkerhetsavstånd på 1 m från vägg eller annan yta. Håll ett avstånd på 3 m från föremål som kan fatta eld eller ha tändverkan som indikatorbelysning på vattenvärmare eller påslagna elapparater osv.</li></ul>

<ul style="list-style-type: none"><li>• Försök ALDRIG att tända brännaren med locket på. En stor mängd otänd gasol inne i en täckt produkt är farligt.</li><li>• Stäng alltid av gasolen vid behållaren och koppla bort regulatorn innan gasolbehållaren flyttas från sitt rätta läge.</li><li>• Använd aldrig produkten om gasolbehållaren inte befinner sig i sitt rätta läge.</li><li>• Ändra inte på produkten. Alla ändringar är strängt förbjudna. Fasta detaljer får inte påverkas av användaren. Plocka inte isär munstyckena.</li></ul>

### KRAV PÅ REGULATORN

- Använd endast den regulator som följer med produkten eller en utbytesregulator som tillverkaren levererat.

### Råd för säkerheten

- När produkten inte används, stäng av alla vred och gasolen.
- Använd långskaftade grillverktyg och handskar för att undvika brännskador och stänk. Använd skyddshandskar när du hanterar heta produkt detaljer.
- Fettplåt (i förekommande fall) måste sättas in och tömmas vid varje användning. Ta inte bort fettplåten förrän produkten kallnat helt.
- Var försiktig när du öppnar locket: het ånga kan komma ut.
- Var försiktig när barn, gamla och husdjur befinner sig i närheten av produkten.
- Om du märker att fett eller annat hett material droppar från produkten ner på ventiler, slangar eller regulatorn, stäng av gasolen omgående. Ta reda på orsaken och eliminera den och gör sedan rent ventilen, slangen eller regulatorn innan du fortsätter. Gör ett läckagetest.

 <b>OBS!</b> 
<ul style="list-style-type: none"><li>• Läs igenom samtliga säkerhets-, monterings- och bruksanvisningar innan du sätter ihop produkten eller grillar på den. Vissa delar har vassa hörn och kanter. Arbetshandskar rekommenderas.</li></ul> <h3>Fettbränder</h3> <ul style="list-style-type: none"><li>• Det går inte att släcka fettbränder genom att stänga locket. Grillar är ventilerade av säkerhetsskäl.</li><li>• Använd inte vatten mot fettbränder. Det kan medföra personskada. Om en fettbrand inte vill slockna, stäng av vred och gasbehållare.</li><li>• Om produkten inte rengjorts regelbundet, kan en fettbrand uppstå som kan skada produkten. Var försiktig vid förvärmning eller bortbränning av matrester så brand inte uppstår. Följ anvisningarna för produkt- och brännarengöring för att undvika fettbränder.</li><li>• Det bästa sättet att undvika fettbränder är att rengöra produkten regelbundet.</li></ul>

### GASPATRONER




- Denna apparat får endast användas med butan / propan disponibel gaspatroner Med en EN417 ventil: såsom CFH 230g, Zapp 445g, 500g eller motsvarande Coleman, utan att överskrida 500 g.
- Det kan vara riskabelt att försöka ansluta andra typer av gasolbehållare.
- Ändra gasbehållaren utanför och bort från människorna. Koppla INTE loss eller försök byta en gasolbehållare inom 3m från öppen eld eller annan tändkälla eller andra människor.
- Kontrollera att gaspatronen är tom innan du byter den (vid skakning hörs ljud från vätskan).
- Kontrollera att brännarna är släckta innan du kopplar loss gaspatronen.
- Kontrollera att packningarna finns på plats och är i gott skick innan du ansluter gasolbehållaren. Kontrollera tätningarna innan du ansluter en ny gasbehållare till apparaten.
- Använd inte produkten om packningarna är skadade eller slitna. Försök inte reparera packningar. Skaffa nya delar från tillverkaren.
- Använd inte produkt som är skadad, som läcker eller som inte fungerar som den ska.
- Om produkten läcker (luktar gasol), ta ut den direkt till en väl ventilerad brandfri plats utomhus där läckan kan identifieras och stoppas. Om du vill kontrollera att produkten inte läcker gasol - utför kontrollen utomhus. Försök inte identifiera läckor med hjälp av eld. Använd tvålvatten i stället.

 Regulatorn låst i läge AV. Gå till  för att låsa upp.

## Tändning



### LÄS ANVISNINGARNA INNAN DU TÄNDER.

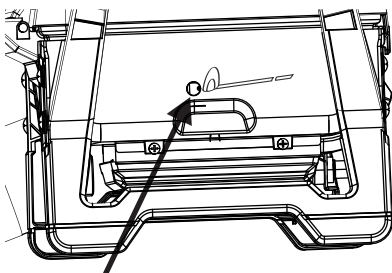
Luta dig **INTE** över produkten när du tänder.

1. Ställ brännarkontrollventilen på .
2. Anslut LP-gasolpatronen.
3. **Öppna** grilllocket.
4. Tryck in och ställ kontrollvredet i .
5. Tryck snabbt på tändningsknappen.
6. Så snart tändaren tänts, ställ kontrollvredet i önskat läge.
7. Om det inte tänds på 5 sekunder, ställ kontrollvredet på , vänta 5 minuter och tänd på nytt.

Om tändningen ändå inte fungerar, se anvisningarna för tändstickständning

### Tändning med tändsticka


1. Placera den tända tändstickan bredvid brännaren. Vrid regulatorreglaget till .
2. Om tändning **INTE** sker inom 5 sekunder, vrid regulatorreglaget till , vänta 5 minuter och repetera tändningsproceduren.

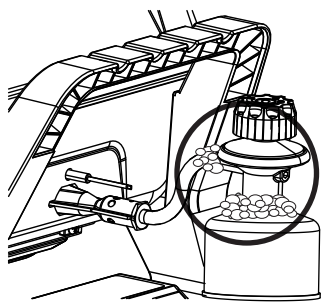


### Hål för tändstickständning

### Läckagetestavventiler, rörochregulator

Utförläckagetestminstengångomåretochvarje gånggasolbehållarenbytsellerkopplasur.

1. **Ställ vreden på .**
2. Se till att gasolbehållaren sitter ordentligt fäst i regulatorn.
3. Om du hör ett "brusande ljud", ta omedelbart bort behållaren. Det finns en stor läcka vid anslutningen. **Rätta till innan du fortsätter.**
4. Stryk ut tvålösning (hälften tvål, hälften vatten) på slangkopplingar och på de platser som finns inringade nedan.
5. Om du ser växande bubblor finns det en läcka. Kontrollera att gasolbehållaren är fäst ordentligt. Finns läckan sedan kvar, ta loss gasolbehållaren och skruva fast den på nytt. Om läckan finns kvar, försök inte reparera den. Beställ reservdelar.

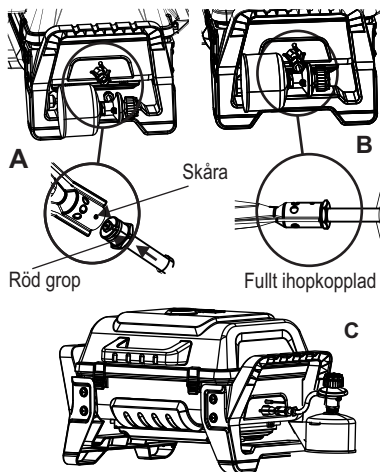


### Regulator/ventilinstallation/borttagning

1. Med vredet pekar till höger, sätt in regulatorn/ventilen i utgången på brännaren (A)

Skåran i regulatorn/ventilen **MÅSTE** passas in i gropen på änden av brännaren.

2. När regulatorn/ventilen är helt ansluten till brännaren, vrid regulatorn/ventilen moturs (B) för att låsa den i position med vredet pekande som visas (C).
3. Far att ta bort gör stegen omvänt.



 **OBS!** 

### SE UPP FÖR SPINDLAR!

SPINDLAR OCH SPINDELNÄT INNE I BRÄNNAREN

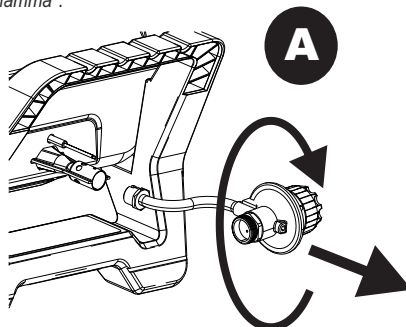


Om grillen är svår att tända eller om lågan är svag, kontrollera och rengör kanaler och brännare.

Spindlar och småinsekter är kända för att kunna orsaka "flashback"-problem när de bygger bon och lägger ägg i gasolkanaler och brännare och stoppar upp gasolflödet. Den instängda gasolen kan fatta eld bakom kontrollpanelen. Flashbacken kan skada grillen och medföra personskada. För att förhindra flashbacks och säkerställa driftsäkerheten, bör brännaren och rörsystemet tas loss och rengöras när grillen stått oanvänd en längre tid.

### Rengöra brännaraggregatet

1. **Stäng av gasen vid regulatorreglaget och koppla bort gasbehållaren.**
2. Ta bort grillgallret.
3. Ta bort regulatorn från brännartuben genom att (1) rotera regulatorn tills vredet är till höger och sedan (2) genom att dra utåt. Visas i **FIG. A**
4. Torka av keramisk elektrod med rengöringssprit och trasa. Rengör brännarens yttre med tvål och vatten, sätt in trädgårdsslang (helst med munstycke), i brännartuben och tvinga vatten genom tuben. Se till att det kommer vatten ur varje sidventil. Öppna igentäppta ventiler med en tunn tråd. **Tillåt brännaren att torka ordentligt** och undersök sidventilerna. På grund av normal slitage och korrosion kan vissa sidventiler bli förstörade, om det händer byt ut brännaren. Om eventuella horisontella sprickor uppstår från ventil till ventil eller stora hål (andra än ventiler) upptäcks, byt ut brännaren.
5. Om grillen ska förvaras, bestryk brännaren lätt med matlagningssolja. Linda in i skyddande hölje för att hålla bort insekter. Om den inte ska förvaras gör följande steg.
6. Sätt tillbaka regulatorn.
7. Sätt tillbaka grillgallret.
8. Innan du använder grillen igen, genomför ett "Läckagetest" och en "kontroll av brännarens flamma".



### Förvaring av produkten

- Ta bort grillgallren.
- Förvaras torrt under tak.
- Om gasolbehållaren är ansluten till produkten förvaras den utomhus i ett välventilerat utrymme och utan möjlighet för barn att komma åt den.
- Täck över produkten om den förvaras utomhus.
- Får förvaras inomhus **ENDAST** om gasolbehållaren är bortkopplad från produkten och förvaras utomhus.
- När verktyget tas fram för användning, kontrollera att brännaren inte är blockerad.

### Rengöring av produkten

- Gör rent produkten ofta, lämpligtvis efter varje användning. Om rivande borste används för att göra rent stekytorna, se till att inga lösa rester finns kvar när en ny grillning påbörjas. Rengör inte ytor som är upphettade. Verktyget ska rengöras minst en gång om året.
- Tro inte att inbränt fett och rök är färg. Gasgrillars inre delar är inte målade i fabriken (**och ska inte målas**). Lägg på starkt rengöringsmedel och vatten eller använd ett särskilt borstverktyg för produkten och gör rent locket och i lådan. Skölj och låt torka. **Använd inte basiska ugnrengöringsmedel på målade ytor.**
- **Plastdetaljer:** tvätta med mild varm tvålösning och torka sedan rent. Använd inte citrisol, polerande rengöringsmedel, avfettningsmedel eller koncentrerat särskilt grillrengöringsmedel på plastdetaljer. Det kan medföra skador och bristande funktion på produkten.
- **Porslinsytor:** eftersom materialet är glasliknande kan smuts tas bort enkelt med soda-vattenlösning eller särskilt rengöringsmedel. Använd icke-polerande skurmedel för besvärlig smuts.
- **Målade ytor:** tvätta med mildt och/eller icke-polerande rengöringsmedel eller varmt tvålvatten. Torka sedan rent med icke-rivande trasa.
- **Ytor av rostfritt:** om du vill att verktyget ska se snyggt ut, tvätta med mildt rengöringsmedel och varmt tvålvatten och torka sedan rent med mjuk trasa. Pålagrat fett kan kräva att rivande svamp används. Rengör i samma riktning som undermaterialet för att undvika skador. Använd inte rivande svamp på ytor med text.
- **Stekytor:** Om rivande borste används för att göra rent stekytorna, se till att inga lösa rester finns kvar när en ny grillning påbörjas. Rengör inte när produkten är het.

### OM PRODUKTEN INTE TÄNDER

Se till att gasolen är på vid behållaren och att det finns tillräckligt med gasol.

Hörs ett gnistliknande ljud från tändaren?

Om ja, kontrollera om det finns en gnista vid brännaren.

Om gnista saknas, kontrollera om kablar är skadade eller lösa. Om kablar är OK, kontrollera om elektroden är trasig och byt ut den om det behövs. Om kablar eller elektroder är täckta med matrester, gör rent elektrodspetsen med sprit om det behövs. Byt kablar om det behövs.

Om inget ljud hörs, kontrollera batteriet.

Se till att batteriet är rätt installerat. Kontrollera om kablar är lösa intill modul och vred.

Om tändaren alltså inte fungerar, använd tändstickor.

Om denna apparat behöver repareras, vänligen kontakta din leverantör eller Kriswell A/S. Se Kriswell A/S kontaktuppgifter på sidan 40.

**TÄRKEÄÄ:** Lue nämä käyttöohjeet huolellisesti ja tutustu laitteeseen ennen sen liittämistä kaasusäiliöön. Säilytä nämä ohjeet mahdollista tulevaa tarvetta varten.

**Käyttö vain ulkotiloissa.**

Käyttöluokka: höyrynpaine-butaani-propaaniseos.

### ASENTAJA/KOKOAJA:



Jätä tämä opas kuluttajalle.

### KULUTTAJA:

Säilytä tämä opas tulevia tarpeita varten.

### Kysymykset:

Jos sinulla on kysyttävää asennuksen aikana tai tämän laitteen käytöstä, ota yhteyttä paikalliseen jakelijaan.

	<b>VAARA</b>	
<p><b>Jos tunnet kaasun hajua:</b></p> <ol style="list-style-type: none"> <li>1. Sulje laitteen kaasulähde.</li> <li>2. Sammuta mahdollinen avotuli.</li> <li>3. Avaa kansi.</li> <li>4. Jos tunnet edelleen hajua, pysy poissa laitteen luota ja soita välittömästi kaasuntoimittajallesi tai hätäkeskukseen.</li> </ol>		

	<b>VAARA</b>	
<ol style="list-style-type: none"> <li>1. Älä koskaan käytä tätä laitetta ilman valvontaa.</li> <li>2. Älä koskaan käytä tätä laitetta 3 m lähempänä mitään rakennetta, syttyvää materiaalia tai muita kaasupulloja tai säiliöitä.</li> <li>3. Älä koskaan käytä tätä laitetta 7,5 m lähempänä mitään syttyvää nestettä.</li> <li>4. Jos syttyy tulipalo, pysy loitolla laitteesta ja hälytä paikalle välittömästi palokunta. Älä yritä sammuttaa öljy- tai rasvapaloa vedellä.</li> </ol> <p>Näiden ohjeiden noudattamatta jättäminen voi aiheuttaa tulipalon, räjähdys- tai palovamman vaaran, joka voi saada aikaan omaisuus- tai henkilövahinkoja tai kuoleman.</p>		

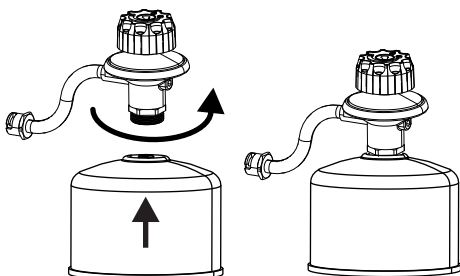
### TEKNISET TIEDOT

Kaasun kulutus: 2,8 kW (204 g/tunti)

Injektoren koko: 0,80mm

Kaasun tyyppi: butaani-propaaniseos

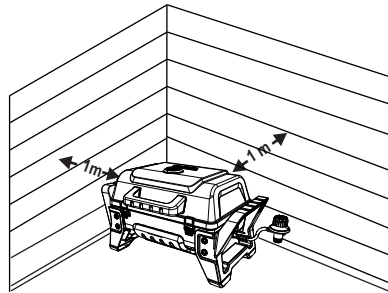
### KAASUSÄILIÖIDEN LIITTÄMINEN



## VAROITUS

**Laitteen turvallinen käyttö ja vakavien vammojen välttäminen edellyttää seuraavaa:**

- **KÄYTÄ LAITETTA VAIN ULKONA. ÄLÄ KOSKAAN KÄYTÄ LAITETTA SISÄLLÄ.**
- Lue ohjeet ennen laitteen käyttämistä. Noudata aina näitä ohjeita.
- Älä siirrä laitetta käytön aikana.
- Laitteen näkyvät osat voivat olla erittäin kuumia. Pidä pikkulapset poissa laitteen luota. Älä anna lasten käyttää laitetta tai leikkiä sen lähellä.
- Käytä laitetta ainoastaan vakaalla vaakasuoralla pinnalla.
- Tämä laite on pidettävä erossa helposti syttyvistä materiaaleista käytön aikana.
- Älä tuki laitteen sivuilla tai takana olevia aukkoja.
- Tarkista polttimen liekit säännöllisesti.
- Älä tuki polttimen venturiaukkoja.
- Käytä laitetta vain hyvin tuuletetussa tilassa. ÄLÄ KOSKAAN käytä umpinaisessa tilassa, kuten autokatoksessa, autotallissa, kuintilla, katetuilla patiolla tai minkäänlaisen katetun rakenteen alla.
- Älä käytä hiiltä tai keraamisia briquettejä kaasulaitteessa.
- ÄLÄ peitä ritiloita alumiinifoliolla tai millään muulla materiaalilla. Tämä estää polttimen tuuletuksen ja synnyttää mahdollisesti vaarallisen tilanteen, joka voi aiheuttaa vaurioita ja/tai vammaa.
- Käytä laitetta vähintään 1 metrin päässä seinistä tai muista pinnoista. Pidä 3 metrin varoetäisyys kohteisiin, jotka voivat syttyä tuleen, tai sytytyslähteisiin, kuten vedenlämmittimien merkkilamput, toiminnassa olevat sähkölaitteet jne.



- Älä KOSKAAN yritä sytyttää poltinta niin, että kansi on kiinni. Syttymättömän kaasun kerääntyminen suljetun laitteen sisään on vaarallista.
- Sulje aina kaasupullo ja irrota säädin ennen kaasupullon siirtämistä sille määrätystä käyttöpaikasta.
- Älä koskaan käytä laitetta niin, että kaasupullo on poissa oikealta, sille määrättylta paikalta.
- Älä tee laitteeseen muutoksia. Kaikki muutokset ovat ankarasti kiellettyjä. Käyttäjät ei saa käsitellä suljettuja osia. Älä irrota injektoreita.

### REGULAATTORIN VAATIMUKSET

- Käytä vain tämän tuotteen kanssa toimitettua regulaattoria tai valmistajan toimittamaa varaosaa.

## Turvallisuusvinkit

- Sulje kaikki säätönupit ja kytke kaasu pois päältä, kun laitetta ei käytetä.
- Käytä pitkäkartaisia grillivälineitä ja grillikintaita välttääksesi palovammat ja roiskeet. Käytä suojakäsineitä käsitellessäsi kuumia osia.
- Rasva-astia (jos se sisältyy laitteeseen), on asetettava laitteeseen ja tyhjennettävä joka käytön jälkeen. Älä poista rasva-astiaa ennen kuin laite on täysin jäähtynyt.
- Avaa kansi hyvin varovasti, sillä kannen alta voi tulla kuumaa höyryä.
- Ole erittäin varovainen, kun lähistöllä on lapsia, vanhuksia tai lemmikkieläimiä.
- Jos huomaat, että laitteesta tippuu rasvaa tai muuta kuumaa materiaalia ventiliiniin, letkun tai säätimen päälle, kytke heti kaasu pois päältä. Määritä syy, korjaa vika ja puhdista ja tarkista sitten ventiliini, letku ja säädin ennen kuin jatkat. Tee vuototesti.

## HUOMAUTUS



- Lue kaikki turvallisuusohjeet, kokoamisohjeet sekä käyttö- ja hoito-ohjeet ja noudata niitä ennen kuin yrität koota laitteen ja valmistaa sillä ruokaa.
- Jotkin osat voivat sisältää teräviä reunoja. Suojakäsineiden käyttäminen on suositeltavaa.

### Rasvapalot

- Rasvapaloa ei voi sammuttaa sulkemalla kanttia. Grilleissä on hyvä tuuletus turvallisuusyistä.
- Älä käytä rasvapalon sammuttamiseen vettä, sillä tämä voi aiheuttaa vammaa. Jos rasvapalo on sitkeä, käännä säätönupit ja kaasu pois päältä.
- Jos grilliä ei ole puhdistettu säännöllisesti, voi seurauksena olla rasvapalo, joka voi vahingoittaa laitetta. Huolehdi tarkoin, ettet saa aikaan rasvapalooa laitetta esilämmittäessäsi tai polttaessasi ruokajäämiä pois. Noudata laitteen yleisiä puhdistusohjeita ja polttimen puhdistusohjeita rasvapalojen estämiseksi.
- Paras tapa estää rasvapalot on laitteen säännöllinen puhdistaminen.



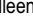
### KAASUSÄILIÖT

- Laite saa käyttää vain butaani / propaani kertakäyttöiset kaasupatruunat Kanssa EN417 venttiili: kuten cfh 230g, Zapp 445 g, 500g tai vastaava Coleman, aina korkeintaan 500g.
- Voi olla vaarallista yrittää asentaa muun tyyppisiä kaasupulloja.
- Muuta kaasusäiliön ulos ja pois ihmisiä. Kaasusäiliötä EI SAA irrottaa tai vaihtaa alle 3 m:n etäisyydellä avotulesta tai muusta sytytyslähteestä tai muista ihmisistä.
- Tarkista, että kaasupullo on tyhjä ennen sen vaihtamista (ravista pulloa, jotta kuulet nesteen äänen).
- Tarkista ennen kaasupullon irrottamista, että polttimet on sammutettu.
- Tarkista ennen kaasusäiliön liittämistä, että tiivistet ovat paikoillaan ja hyvässä kunnossa. Tarkista tiivistet ennen uuden kaasupullon liittämistä laitteeseen.
- Älä käytä laitetta, jos sen tiivistet ovat vaurioituneet tai kuluneet. Älä yritä korjata tiivistettä. Hanki uudet osat valmistajalta.
- Älä käytä laitetta, joka vuotaa, on vaurioitunut tai joka ei toimi oikein.
- Jos laitteessa on vuoto (kaasun hajua), vie laite välittömästi ulos hyvin tuuletettuun paikkaan, jossa ei ole tulta ja jossa vuoto voidaan paikallistaa ja lopettaa. Jos haluat tarkistaa laitteen mahdolliset vuodot, tee se ulkona. Älä yritä paikallistaa vuotoja käyttäen liekkiä, vaan käytä saippuavettä.

 Regulaattori on lukittuna OFF-asennossa. Avaa kääntämällä kohtaan .


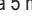
## Sytyttimen sytyttäminen LUE OHJEET ENNEN SYTYTTÄMISTÄ.

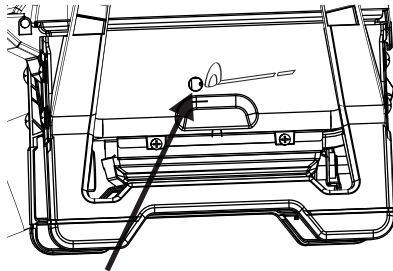
**ÄLÄ nojaa laitteeseen sitä sytyttäessäsi.**

1. Käännä kaasupolttimen säätöventtiili kohtaan .
2. Liitä kaasupullo.
3. Avaa grillin kansi.
4. Paina polttimen säädintä ja käännä se kohtaan .
5. Paina nopeasti sytytinpainiketta.
6. Kun poltin on syttynyt, käännä säädin haluttuun kohtaan.
7. Jos poltin ei syty 5 sekunnissa, käännä polttimen säädin kohtaan , odota 5 minuuttia ja sytytä uudelleen.

**Jos poltin ei vielä syty, noudata tulitikuilla sytyttämisen ohjeita.**

## Sytyttäminen tulitikulla


1. Aseta sytytetty tulitikku polttimen viereen. Käännä regulaattorin nappi kohtaan .
2. Jos tuli EI syty 5 sekunnissa, käännä regulaattorin nappi kohtaan , odota 5 minuuttia ja sytytä uudelleen samalla tavoin.

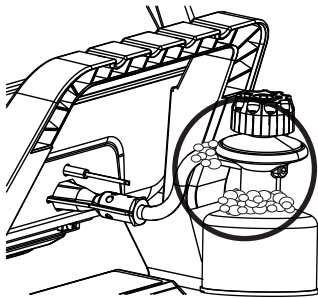


Tulitikkuaukko

## Vuodontestausventtiilit, putki ja regulaattori

Testaa laite vuotojen varalta vähintään kerran vuodessa ja aina, kun kaasusäiliö vaihdetaan tai irrotetaan.

1. **Käännä laitteen säädin kohtaan .**
2. Varmista, että kaasusäiliö on tiukasti kiinni regulaattorissa.
3. Jos kuulet *kohinaa*, poista patruuna välittömästi. Liitoskohdassa on suuri vuoto. *Korjaa vuoto ennen kuin jatkat.*
4. Levitä harjalla saippualluosta (puoliksi vettä ja puoliksi saippuaa sisältävää seosta) letkujen liitäntöihin ja alla ympäröidyille alueille.
5. Jos näkyy *suurenvälia* kuplia, on jossain vuoto. Tarkista säiliön tiukkuus. Jos vuotoa ilmenee edelleen, vaihda säiliö ja yritä uudelleen. Jos et voi pysäyttää vuotoa, älä yritä korjata laitetta. Hanki varaosia.

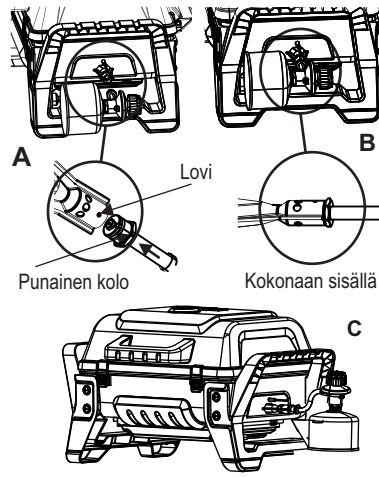


## Regulaattorin/venttiilin asentaminen/irrottaminen

1. Aseta regulaattori/venttiili polttimen päähän (A) niin, että nappi osoittaa oikealle

**Regulaattorin/venttiilin loven ON osuttava yhteen polttimen pään kolan kanssa.**

2. Kun regulaattori/venttiili on kokonaan polttimessa, käännä regulaattoria/venttiiliä vastapäivään (B). Näin lukitset sen paikalleen nappi kuvan osoittamalla tavalla.
3. Irrota tekemällä päinvastaisessa järjestyksessä.



## **HUOMAUTUS**

### HÄMÄHÄKKIVAROITUS!

**HÄMÄHÄKKEJÄ JA VERKKOJA  
POLTTIMEN SISÄLLÄ**

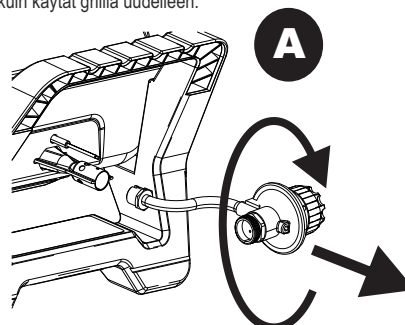


Jos grillin sytyttäminen on vaikeaa tai liekit ovat heikot, tarkista ja puhdista venturi ja polttimet.

Hämähäkit tai pienet hyönteiset voivat saada aikaan takaisvirtausongelmia rakentamalla pesiä ja munimalla grillin venturiin tai polttimoon ja näin tukkimalla kaasuvirtauksen. Takaisin virtaava kaasu voi sytyä säätöpaneelin takana. Tämä voi vahingoittaa grilliä ja aiheuttaa vammian. Takaisvirtauksen estämiseksi ja oikean toiminnan takaamiseksi poltin ja venturiputki pitäisi poistaa ja puhdistaa aina, kun grilli on ollut käyttämättömänä pidemmän aikaa.

## Poltinkokoonpanon puhdistaminen

1. Sulje kaasuntulo regulaattorin säätönupilla ja irrota kaasusäiliö.
2. Irrota paistoritilä.
3. Irrota regulaattori polttimon putkesta (1) kääntämällä regulaattoria, kunnes nappi on **Oikealle** ja sitten (2) vetämällä ulospäin. Esitetään **kuviassa A**
4. Pyyhi keraaminen elektrodi alkoholilla ja liinalla. Puhdista polttimen ulkopuoli saippualla ja vedellä. Kiinnitä polttimon putkeen puutarhaletku (jossa on mielellään suutin) ja pakota vettä putken läpi. Varmista, että vettä tulee ulos polttimen kaikista aukoista. Avaa tukkeutuneet aukot ohuella rautalangalla. **Anna polttimen kuivua perusteellisesti** ja tutki aukot. Jotkin aukot voivat suurentua normaalin kulumisen ja ruostumisen takia. Vaihda poltin tarpeen mukaan. Jos polttimen aukosta toiseen näkyy kulkevan vaakasuoria murtumia tai löydät suuria reikiä (muita kuin polttimen aukkoja), vaihda poltin.
5. Sivele polttimen päälle ohuelti ruokaöljyä, jos grilli laitetaan varastoon. Käytä suojakannta hyönteisten pitämiseksi ulkopuolella. Jos grilliä ei laiteta varastoon, tee seuraavasti.
6. Irrota regulaattori.
7. Vaihda paistoritilä.
8. Suorita "Vuototesti" ja "Polttimen liekin tarkistus" ennen kuin käytät grilliä uudelleen.



## Laitteen säilyttäminen

- Puhdista ritilät.
- Säilytä kuivassa paikassa.
- Kun kaasusäiliö on liitettyyn laitteeseen, on laitetta säilytettävä hyvin tuuletetussa ulkotilassa ja lasten ulottumattomissa.
- Peitä laite, jos sitä säilytetään ulkona.
- Säilytä laitetta sisällä VAIN, jos kaasusäiliö on irrotettu, poistettu laitteesta ja sitä säilytetään ulkona.
- Kun otat laitetta pois säilytyksestä, tarkista poltin mahdollisten tukkeumien varalta.

## Laitteen yleinen puhdistaminen

- Puhdista laite usein, mielellään jokaisen käyttökerran jälkeen. Jos käytät karkeaa harjaa laitteen jonkin keittopinnan puhdistamiseen, varmista ennen grillausta, ettei harjaksia ole jäänyt keittopinnoille. Keittopintojen puhdistaminen laitteen ollessa kuuma ei ole suositeltavaa. Laitte on puhdistettava vähintään kerran vuodessa.
- Älä erehdy luulemaan ruskeita tai mustia rasva- ja nokikerityksiä maaliksi. Kaasugrillien sisäosia ei maalata tehtaalla (**eikä niitä pidä koskaan maalata**). Käytä vahvaa pesuaineen ja veden sekoitusta tai käytä grillinpuhdistusainetta ja harjaa laitteen kannen ja pohjan sisäpuolet. Huuhteile ja anna ilmakuivua kokonaan. **Älä käytä emäksistä grillin/uuninpuhdistusainetta maalatuille pinnoille.**
- **Muoviosat:** Pese lämpimällä saippuavedellä ja pyyhi kuivaksi. Älä käytä muoviosiin sitruspohjaisia tai hankaavia puhdistusaineita, rasvanpoistoaineita tai konsentroitua grillinpuhdistusainetta. Nämä voivat aiheuttaa osien vahingoittumisen ja vioittumisen.
- **Posliinipinnat:** Lasinkaltaisen koostumuksen ansiosta useimmat jäämät voidaan pyyhkiä pois leivinjuuho-vesi-liuoskella tai erityispuhdistusaineella. Käytä itsepintaisiin tahroihin hankaamatonta puhdistusjauhetta.
- **Maalatut pinnat:** Pese miedolla pesuaineella tai hankaamattomalla puhdistusaineella ja lämpimällä saippuavedellä. Pyyhi kuivaksi pehmeällä, hankaamattomalla liinalla.
- **Ruostumattomasta teräksestä valmistetut pinnat:** Jotta grilli pysyisi ulkonäöltään mahdollisimman hyvänä, pese se miedolla pesuaineella ja lämpimällä saippuavedellä ja kuivaa pehmeällä liinalla jokaisen käyttökerran jälkeen. Kiinni palaneet rasvajäämät voivat vaatia muovisen hankaussienen käyttöä. Käytä vain harjatun viimeistelyn suuntaisesti välttääksesi vauriot. Älä käytä hankaussientä alueilla, joilla on kuvia.
- **Keittopinnat:** Jos käytät karkeaa harjaa laitteen jonkin keittopinnan puhdistamiseen, varmista ennen grillausta, ettei harjaksia ole jäänyt keittopinnoille. Keittopintojen puhdistaminen laitteen ollessa kuuma ei ole suositeltavaa.

## JOS GRILLI EI SYTY

Varmista, että säiliön kaasuhanana on auki. Varmista, että säiliössä on kaasua.

Kuuluuko sytyttämisestä kohisevaa ääntä?

Jos kuuluu, tarkista, näkykö polttimessa kipinä. Jos kipinää ei näy, tarkista näkykö vaurioita tai irtonaisia johtoja.

Jos johdot ovat OK, tarkista, näkykö halkeamia tai onko elektrodi rikki, ja vaihda tarpeen mukaan. Jos johto tai elektrodit ovat ruokajäämien peitossa, puhdista elektrodin kärki pyyhkimällä alkoholilla tarpeen mukaan. Vaihda tarvittaessa johdot.

Jos ääniä ei kuulu, tarkista akku. Varmista, että akku on asennettu oikein. Tarkista, etteivät johdot ole löysällä.

Jos sytytin ei edelleenkään toimi, käytä tulitikkuja.

Jos tämä laite on korjattava, ota yhteyttä laitteen toimittajaan tai Kriswell A/S:ään. Katso Kriswell A/A:n yhteystiedot sivulta 40.

**IMPORTANTE:** Lea cuidadosamente las instrucciones de uso a fin de familiarizarse con la unidad antes de conectarla a su cilindro de gas. Conserve estas instrucciones para consultas futuras.

### Usar únicamente al aire libre

Categoría de dispositivo: mezcla de vapor de butano-propano a presión

### INSTALADOR:



Entregue este manual al cliente.



### CLIENTE:

Conserve este manual para consultas futuras.

### Preguntas:

Si tiene alguna pregunta durante el ensamble o el uso de esta unidad, contacte a su distribuidor local.

	<b>PELIGRO</b>	
<p>Si siente olor a gas:</p> <ol style="list-style-type: none"> <li>1. Corte el paso de gas a la unidad.</li> <li>2. Apague toda llama al descubierto.</li> <li>3. Abra la tapa.</li> <li>4. Si el olor persiste, aléjese de la unidad y llame inmediatamente a su compañía de gas o a los bomberos.</li> </ol>		

	<b>PELIGRO</b>	
<ol style="list-style-type: none"> <li>1. Nunca deje la unidad desatendida.</li> <li>2. Nunca opere la unidad a una distancia menor de 3 metros de cualquier estructura, material combustible u otros cilindros de gas o cartuchos.</li> <li>3. Nunca opere la unidad a una distancia menor de 7,5 metros de cualquier líquido inflamable.</li> <li>4. Si se produce un incendio, manténgase alejado de la unidad y llame de inmediato al departamento de bomberos. No trate de extinguir un incendio causado por aceite o grasa fuego con agua.</li> </ol>		
<p>Si no se siguen estas instrucciones, se puede provocar un incendio, explosión o quemaduras, lo cual podría causar daños a la propiedad, lesiones personales o muerte.</p>		

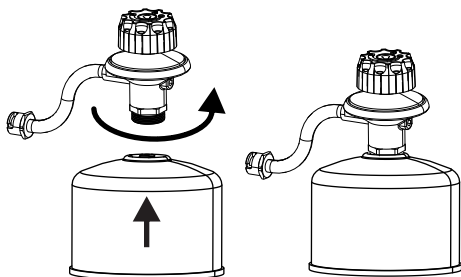
### INFORMACIÓN TÉCNICA



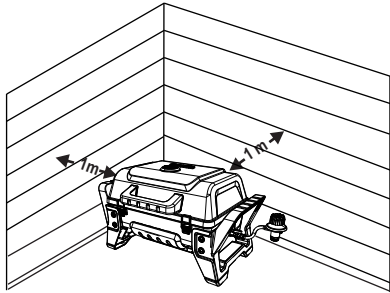
Consumo de gas: 2,8 Kw (204 g/h)

Tamaño de inyector: 0,80 Mm

Tipo de gas: mezcla de butano-propano

### CONEXIÓN DE LOS CARTUCHOS DE GAS



	<b>ADVERTENCIA</b>	
<p><b>Para un uso seguro de la unidad y para evitar lesiones graves:</b></p> <ul style="list-style-type: none"> <li>• <b>USE LA UNIDAD SÓLO AL AIRE LIBRE. NUNCA USE LA UNIDAD BAJO TECHO.</b></li> <li>• Lea las instrucciones antes de usar la unidad. Siga siempre estas instrucciones.</li> <li>• No mueva la unidad durante su uso.</li> <li>• Las partes accesibles pueden estar muy calientes. Mantenga la unidad fuera del alcance de los niños. No le permita a los niños operar o jugar cerca de la unidad.</li> <li>• Utilícela únicamente sobre superficies horizontales estables.</li> <li>• Mantenga cualquier material inflamable lejos de la unidad durante su uso.</li> <li>• No obstruya los orificios de los lados y la parte trasera de la unidad.</li> <li>• Controle con regularidad las llamas del quemador.</li> <li>• No obstruya las aberturas de entrada del difusor en el quemador.</li> <li>• Use la unidad sólo en espacios bien ventilados. NUNCA use la unidad en espacios cerrados, tales como cobertizos para vehículos, garajes, porches, patios cubiertos o bajo cualquier tipo de estructura elevada.</li> <li>• No use carbón o ladrillos cerámicos en una unidad a gas.</li> <li>• <b>NO</b> cubra las rejillas con papel aluminio o cualquier otro material. Esto obstruirá la ventilación del quemador y podría producirse una condición peligrosa, resultando en daños materiales y/o lesiones físicas.</li> <li>• <b>Use la unidad por lo menos a 1 metro de distancia de cualquier pared o superficie.</b> Mantenga a los objetos inflamables y las fuentes de ignición (pilotos de calentadores de agua, dispositivos eléctricos encendidos en modo de suspensión, etc.) a una distancia de al menos 3 metros de la unidad.</li> </ul>		
		
<ul style="list-style-type: none"> <li>• NUNCA intente encender el quemador con la tapa cerrada. La acumulación de gas no encendido dentro de una unidad cerrada representa un serio peligro.</li> <li>• Corte siempre el suministro de gas del cilindro y desconecte el regulador antes de mover el cilindro de gas de la posición prevista para su operación.</li> <li>• Nunca opere la unidad con el cilindro de gas fuera de la posición prevista correcta.</li> <li>• No modifique la unidad. Queda estrictamente prohibida cualquier modificación a la unidad. El usuario no debe manipular las partes selladas. No desarme los inyectores.</li> </ul>		

### REQUERIMIENTOS DEL REGULADOR

- Utilice únicamente el regulador suministrado con este producto o un regulador de reemplazo suministrado por el fabricante.

### Consejos de seguridad

- Cuando la unidad no esté en uso, cierre todas las perillas y corte el gas.
- Use utensilios de barbacoa de mango largo y guantes térmicos para evitar quemaduras y salpicaduras. Use guantes protectores para manipular componentes calientes.
- Debe introducirse la bandeja de grasa (si está incluida) dentro de la unidad, y vaciarse después de cada uso. No retire la bandeja de grasa hasta que la unidad se enfríe por completo.
- Abra la tapa con extremo cuidado, ya que puede haber escapes de vapores calientes.
- Tenga mucho cuidado cuando se encuentren niños, personas mayores o mascotas cerca de la unidad.
- Si nota grasa o cualquier otro material caliente sobre la válvula, manguera o regulador, cierre inmediatamente el suministro de gas. Determine la causa, corríjala, y luego limpie e inspeccione la válvula, manguera y regulador antes de continuar. Verifique que no haya fugas.

	<b>PRECAUCIÓN</b>	
---	-------------------	---

- Lea y siga todas las indicaciones de seguridad, instrucciones para el ensamble, e instrucciones de uso y cuidado antes de intentar ensamblar la unidad y comenzar a cocinar.
- Algunas partes pueden tener bordes cortantes. Se recomienda usar guantes protectores.


### Incendios provocados por grasa

- **No se pueden apagar los incendios provocados por grasa cerrando la tapa. Por razones de seguridad, las parrillas se encuentran muy bien ventiladas.**
- **No use agua para intentar apagar incendios provocados por grasa, ya que esto puede causar lesiones físicas. Si se produce un incendio persistente provocado por grasa, cierre las perillas y el cilindro de gas.**
- **Si no se limpia la unidad regularmente, podría producirse un incendio provocado por grasa que dañaría la unidad. Mientras precalienta o quema residuos de alimentos, preste especial atención para asegurarse de que no se produzca un incendio provocado por grasa. Para evitar incendios provocados por grasa, siga las instrucciones de limpieza general de la unidad y limpieza del ensamble del quemador.**
- **La mejor forma para prevenir incendios provocados por grasa es la limpieza regular de la unidad.**

### CARTUCHOS DE GAS

- Este aparato sólo se puede utilizar con cartuchos de gas desechables de butano / propano con una válvula EN417 como el 230g CFH, Zapp 445g, 500g Coleman o equivalente, sin exceder de 500 g.
- Tratar de adaptar otros tipos de cilindros de gas podría ser peligroso.
- Cambie el cartucho de gas fuera y lejos de la gente. NO desconecte o cambie el contenedor de gas a menos de 3 metros de distancia de una llama abierta, cualquier otra fuente de ignición u otras personas.
- Verifique que el cartucho esté vacío antes de cambiarlo (sáludalo para escuchar el ruido que hace el gas en estado líquido).
- Verifique que los quemadores estén apagados antes de desconectar el cartucho de gas.
- Verifique que las juntas estén en su lugar y en buen estado antes de conectar al contenedor de gas. Verifique las juntas antes de conectar un nuevo contenedor de gas a la unidad.
- No utilice la unidad si las juntas están dañadas o gastadas. No trate de reparar las juntas. Obtenga piezas nuevas del fabricante.
- No use la unidad si presenta fugas, si está dañada o si no funciona correctamente.
- Si hay una fuga en la unidad (olor a gas), llévela inmediatamente al exterior a un lugar bien ventilado y libre de llamas donde se pueda detectar y detener la fuga. Si desea comprobar la existencia de fugas en la unidad, hágalo al aire libre. No trate de detectar fugas usando una llama, use agua jabonosa.



 Regulador bloqueado en posición de apagado (OFF). Girar a O para desbloquear.

## Encendido

### LEA LAS INSTRUCCIONES ANTES DE ENCENDER.

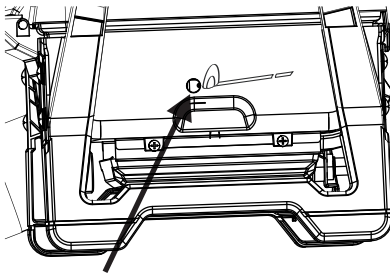
**NO se apoye sobre la unidad al encenderla.**

1. Gire las válvulas de control del quemador a gas a O.
2. Conecte el cartucho de gas propano.
3. Abra la tapa de la unidad.
4. Pulse y gire la perilla de control hasta la posición ↓.
5. Rápidamente presione el botón de encendido.
6. Una vez que el quemador esté encendido, gire la perilla de control hasta la temperatura deseada.
7. Si no enciende en 5 segundos, gire los controles del quemador hasta la posición O, espere 5 minutos y repita el procedimiento de encendido.

**Si el quemador no enciende, siga los pasos de encendido con fósforos.**

### Encendido con fósforos

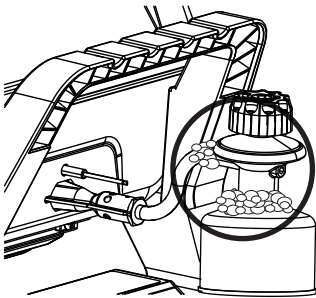
1. Acerque un fósforo encendido al quemador. Gire la perilla de control a la posición ↓.
2. Si NO enciende en 5 segundos, gire la perilla de control a la posición O, espere 5 minutos y repita el procedimiento de encendido.



### Orificio de encendido con fósforos

**Verificación de fugas en válvulas, tubo y regulador**  
Verifique que no haya fugas al menos una vez al año y cada vez que se desconecte o se reemplace en cartucho.

1. Gire todas las perillas de control de la unidad hacia la posición O.
2. Asegúrese de que el cartucho de gas esté bien conectado y ajustado al regulador.
3. Si escucha un siseo, retire el cartucho de gas inmediatamente. Hay una fuga de gas grande en la conexión. **Corrijala antes de continuar.**
4. Pase un cepillo con agua jabonosa (una mezcla de mitad jabón y mitad agua) sobre las conexiones de las mangueras y las áreas dibujadas con un círculo que se muestran a continuación.
5. Si se forman burbujas, hay una fuga. Verifique que el cartucho esté bien conectado. Si la fuga continúa, reemplace el cartucho e intente nuevamente. Si no puede detener la fuga, no intente repararla. Llámennos para ordenar una pieza de repuesto.

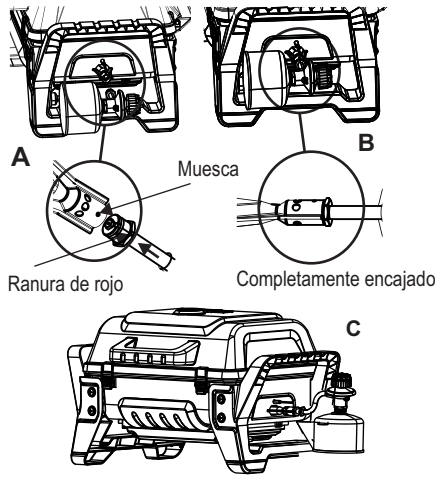


### Instalación y remoción de la válvula / regulador

1. Con la perilla en posición hacia a derecha, inserte el regulador / válvula al extremo del quemador (A).

**La muesca del regulador / válvula DEBE encajar en la ranura al final del quemador.**

2. Una vez que el regulador / válvula estén completamente encajados en el quemador, gire el regulador / válvula en antihorario (B) para bloquearlo en posición con la perilla orientada tal como se muestra (C).
3. Para retirarlo, invierta los pasos.



## PRECAUCIÓN

### ¡ALERTA DE ARAÑAS!

ARAÑAS Y TELARAÑAS DENTRO DEL QUEMADOR

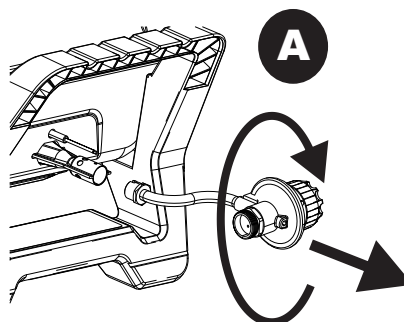


Si se dificulta encender su parrilla, o la llama es débil, verifique y limpie los difusores y quemadores.

Las arañas e insectos pequeños suelen producir "fogonazos" al construir sus nidos y poner huevos en el difusor o quemador de la parrilla, obstruyendo el flujo de gas. El gas acumulado puede encenderse detrás del panel de control. Este fogonazo puede dañar su parrilla y causarle lesiones. Para evitar los fogonazos y asegurar un buen rendimiento, los ensamblajes del quemador y el tubo difusor deben quitarse y limpiarse cuando la parrilla esté sin uso durante un período de tiempo prolongado.

### Como limpiar el conjunto quemador

1. Cierre el gas con la perilla de control y desconecte el cartucho.
2. Retire la parrilla de cocción.
3. Retire el regulador del tubo quemador (1) girando el regulador hasta que la perilla apunte hacia a derecha y luego (2) halando hacia afuera. Se muestra en la FIG. A
4. Limpie el electrodo cerámico con alcohol industrial y un trapo. Limpie el exterior del quemador con agua y jabón. Inserte una manguera de jardín (preferiblemente sin la boquilla) en el tubo quemador, forzando agua dentro del tubo. Asegúrese que el agua sale de todos los inyectores. Abra los inyectores obstruidos usando un alambre delgado. **Espere a que el quemador se seque completamente** y examine los inyectores. Debido al uso normal y la corrosión, algunos inyectores pueden agrandarse. Si esto ocurre, reemplace el quemador. Si hay fisuras horizontales entre inyectores o huecos grandes (además de los inyectores) reemplace el quemador.
5. Si se almacena la unidad, cubra el quemador ligeramente con aceite de cocina. Envuélvalo en su cubierta protectora para mantener los insectos fuera. Si no lo va a almacenar, siga los siguientes pasos.
6. Instale de nuevo el regulador.
7. Ponga la parrilla de cocción.
8. Antes de cocinar de nuevo en la unidad, realice la "Comprobación de fugas" y la "Comprobación de llama del quemador".



## Cómo guardar su unidad

- Limpie las rejillas de cocción.
- Guarde en un lugar seco.
- Cuando el cartucho de gas esté conectado a la unidad, guárdelo al aire libre en un espacio bien ventilado y fuera del alcance de los niños.
- Cubra la unidad si se guarda al aire libre.
- Guarde la unidad bajo techo SÓLO si el cartucho de gas se encuentra desconectado, retirado de la unidad y guardado en exteriores.
- Cuando retire la unidad para guardarla, verifique que no hayan obstrucciones en el quemador.

### Limpieza general de la unidad

- Limpie la unidad con frecuencia, preferentemente luego de cada uso. Si utiliza un cepillo de cerdas suaves para limpiar cualquiera de las superficies de cocción de la unidad, asegúrese que no queden cerdas en las superficies antes de usarla. No se recomienda limpiar la unidad cuando se encuentra caliente. La unidad debe limpiarse por lo menos una vez al año.
- No confunda por pintura a la acumulación de grasa de color marrón o negro y humo. Los interiores de las parrillas a gas no vienen pintadas de fábrica (y **no deben pintarse nunca**). Use una solución de detergente y agua o un limpiador especial, y una escobilla para limpiar las partes interiores de la tapa y la parte inferior de la unidad. Enjuague y deje secar por completo. **No use un limpiador de hornos cáustico en las superficies pintadas.**
- **Partes de plástico:** Lave con agua tibia y jabón, y seque con un trapo. No use Citrisol, limpiadores abrasivos, desengrasantes o limpiadores concentrados para limpiar las partes de plástico. Estas partes pueden dañarse o fallar.
- **Superficies de porcelana:** Por su composición vítrea, la mayoría de los residuos pueden quitarse con una solución de bicarbonato de sodio y agua, o con limpiadores de formulación especial. Use un polvo desengrasante no abrasivo para las manchas difíciles.
- **Superficies pintadas:** Lave con un detergente suave o limpiadores no abrasivos, y agua tibia y jabón. Seque con un trapo suave y no abrasivo.
- **Superficies de acero inoxidable:** Para mantener la apariencia de alta calidad de su unidad, lávela con un detergente suave y agua tibia y jabón, y séquela con un trapo suave luego de cada uso. Para remover la grasa acumulada luego de varias cocciones, puede necesitar el uso de una almohadilla limpiadora abrasiva de plástico. Use sólo en la dirección del acabado para evitar daños. No use almohadillas abrasivas en áreas que contienen imágenes.
- **Superficies de cocción:** Si utiliza un cepillo de cerdas suaves para limpiar cualquiera de las superficies de cocción de la unidad, asegúrese de que no queden cerdas en las superficies antes de usarla. No se recomienda limpiar las superficies de cocción cuando la unidad se encuentra caliente.

### SI LA UNIDAD NO ENCIENDE

Asegúrese de que el paso de gas del cartucho esté abierto.  
Asegúrese de que el cartucho tenga gas.

¿El encendido hace un ruido chispeante?

Si es así, verifique que el quemador haga chispa. Si no hay chispa, verifique que no haya cables dañados o sueltos.

Si los cables no están dañados, verifique que el electrodo no se encuentre quebrado o dañado, y reemplácelo de ser necesario.

Si los cables o electrodos se encuentran tapados por residuos de cocción, limpie las puntas del electrodo con un trapo con alcohol de ser necesario. Si es necesario, reemplace los cables.

Si no hay sonido, verifique la batería.

Asegúrese de que la batería esté bien instalada. Verifique que no haya conexiones de cables sueltos en el módulo y el interruptor.

Si aún no enciende, use un fósforo.

Si esta unidad necesita ser reparada, por favor comuníquese con su proveedor o con Kriswell A/S. Vea la información de contacto de Kriswell A/A en la página 40.

**IMPORTANTE:** Leia estas instruções de utilização com cuidado para se familiarizar com o aparelho antes de conectá-lo ao cilindro de gás. Guarde estas instruções para consulta futura.

**Use apenas em ambientes externos.**

Appliance Category: vapour pressure-butane-propane mixture

### INSTALADOR/MONTADOR:

Deixe este manual com o consumidor.

### CONSUMIDOR:

Guarde este manual para consulta futura.

### Perguntas:

Se você tiver perguntas durante a montagem ou uso deste aparelho, contacte o seu concessionário local.

**PERIGO**

Se tiver cheiro de gás:

1. Desligue o gás do aparelho.
2. Apague qualquer fogo que estiver aceso.
3. Abra a tampa.
4. Se o cheiro persistir, mantenha-se afastado do aparelho e contacte imediatamente o seu fornecedor de gás ou os bombeiros.

**PERIGO**

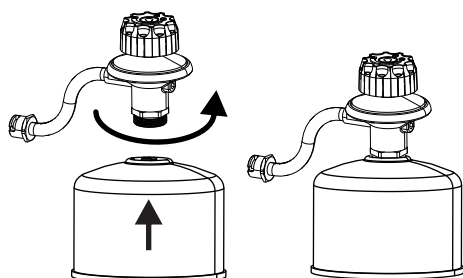
1. Nunca coloque a funcionar o aparelho sem supervisão.
2. Nunca coloque a funcionar este aparelho a menos de 3 m de qualquer estrutura, materiais combustíveis ou outros cilindros ou cartuchos de gás.
3. Nunca coloque a funcionar este aparelho a menos de 7,5 m de qualquer líquido inflamável.
4. Se ocorrer um incêndio, fique afastado do aparelho e contacte imediatamente o departamento de combate a incêndios. Não tente apagar fogo em óleo ou gordura com água.

O desrespeito a estas instruções pode resultar em incêndio, explosão ou perigo de queimadura, o que pode causar danos materiais, ferimentos ou morte.

### DADOS TÉCNICOS

Consumo de gás: 2,8 Kw (204 g/h)  
 Tamanho do injector: 0,80 mm  
 Tipo de gás: mistura butano-propano

### CONEXÃO DE CARTUCHOS DE GÁS



**AVISO**

**Para a utilização segura do seu aparelho e para evitar ferimentos graves:**

- **USE APENAS EM AMBIENTES EXTERNOS. NUNCA USE EM LOCAIS FECHADOS.**
- Leia as instruções antes de utilizar o aparelho. Siga sempre estas instruções.
- Não mova o aparelho durante a utilização.
- As peças acessíveis podem estar muito quentes.
- Mantenha as crianças longe do local. Não deixe as crianças mexerem ou brincar próximo do aparelho.
- Utilize apenas sobre uma superfície horizontal estável.
- Este aparelho deve ser mantido afastado de materiais inflamáveis durante a utilização.
- Não obstrua os furos nas laterais ou na parte traseira do aparelho.
- Verifique as chamas dos queimadores regularmente.
- Não obstrua as aberturas venturi no queimador.
- Utilize o aparelho somente em espaço bem ventilado. NUNCA use em espaço fechado, tais como abrigo para veículo, garagem, alpendre, pátio coberto ou debaixo de uma cobertura de qualquer tipo.
- Não use carvão ou briquetes de cerâmica em um aparelho à gás.
- **NÃO** cubra as grelhas com folha de alumínio ou qualquer outro material. Isto irá bloquear a ventilação do queimador e criar uma condição possivelmente perigosa, e pode causar danos materiais e/ou ferimentos.
- **Utilize o aparelho pelo menos a 1 m de distância de qualquer parede ou superfície.** Mantenha 3 m de distância de objectos que possam pegar fogo ou fontes de ignição, como luzes-piloto de aquecedores de água, equipamentos eléctricos ligados, etc.

- NUNCA tente acender queimador com a tampa fechada. O acúmulo de gases não queimados no interior de um aparelho fechado é perigoso.
- Sempre desligue o gás no cilindro e desconecte o regulador antes de mover o cilindro de gás de uma determinada posição de funcionamento.
- Nunca utilize o aparelho com o cilindro de gás fora da posição correcta especificada.
- Não modifique o aparelho. Quaisquer modificações são estritamente proibidas. As peças seladas não devem ser manuseadas pelo usuário. Não desmonte os injectores.

### REQUISITOS DO REGULADOR

- Utilize apenas regulador fornecido com este produto ou uma peça de reposição fornecida pelo fabricante.

### Dicas de segurança

- Quando o aparelho não estiver em uso, desligue todos os botões de controlo e de gás.
- Utilize utensílios longos para churrasco e luvas de forno para evitar queimaduras e respingos. Utilize luvas de protecção quando manusear componentes quentes.
- A bandeja de gordura (se equipado) **deve** ser inserida no aparelho e esvaziada após cada utilização. Não remova a calha de gordura até o aparelho estar completamente arrefecido.
- Tenha muito cuidado quando abrir a tampa, pois vapor quente pode escapar.
- Tenha muito cuidado quando crianças, idosos ou animais estão próximos.
- Se você observar gordura ou outro material quente pingar do aparelho na válvula, na mangueira ou no regulador, desligue a alimentação de gás imediatamente. Encontre a causa e corrija, em seguida, limpe e inspecione a válvula, a mangueira e o regulador antes de continuar. Efectue um teste de fugas.

**CUIDADO**

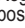
- Leia e siga todos os avisos de segurança, instruções de montagem e utilização e orientações sobre cuidados antes de tentar montar e cozinhar.
- Algumas peças podem conter bordas afiadas. É recomendado utilizar luvas de protecção.

### Fogo em gordura

- **Não é possível apagar o fogo em gordura fechando a tampa. As grelhas são bem ventiladas por razões de segurança.**
- **Não use água no fogo em gordura, pois pode provocar ferimentos. Se o fogo em gordura persistir, desligue os botões e o cilindro de gás.**
- **Se o aparelho não tiver sido devidamente limpo, pode ocorrer fogo em gordura que pode danificar o produto. Preste muita atenção enquanto fizer o pré-aquecimento ou queima de resíduos de alimentos para garantir que não ocorra fogo em gordura. Siga as instruções em Limpeza geral do aparelho e Limpeza do conjunto do queimador para evitar fogo em gordura.**
- **A melhor maneira de evitar fogo em gordura é a limpeza regular do aparelho.**

### CARTUCHOS DE GÁ



- Este aparelho só deve ser utilizado com gás butano / propano cartuchos de gás descartável com uma válvula EN417 como a 230g CFH, Zapp 445g, 500g Coleman ou equivalente, sem exceder 500g.
- Pode ser perigoso tentar instalar outros tipos de cilindros de gás.
- Trocar o cartucho de gás fora e longe das pessoas. NÃO desconecte ou troque o recipiente de gás a menos de 3 m de uma chama ou outra fonte de ignição ou de outra pessoa.
- Verifique se o cartucho de gás está vazio antes de trocar (balance o cartucho para perceber algum barulho de líquido).
- Assegure que os queimadores estão desligados antes de desconectar o cartucho de gás.
- Verifique se as juntas estão instaladas e em bom estado antes de ligar o cilindro de gás. Verifique as vedações antes de conectar um novo recipiente de gás ao aparelho.
- Não utilize o aparelho se estiver danificado ou com as juntas desgastadas. Não tente consertar as juntas. Solicite peças novas do fabricante.
- Não utilize um aparelho que está vazando, danificado ou que não funciona adequadamente.
- Se houver um vazamento em seu aparelho (cheiro de gás), leve-o para fora imediatamente em um local bem ventilado longe de chamas, onde o vazamento possa ser detectado e parado. Se quiser verificar se existem vazamentos no seu aparelho, faça isso em ambiente externo. Não tente detectar vazamentos utilizando uma chama. Utilize água com sabão.

- Regulador travado na posição OFF. Gire para a posição  para destravar.

## Accionamento do acendedor

### LEIA AS INSTRUÇÕES ANTES DE ACENDER.



**NÃO se incline sobre o aparelho quando for acender.**

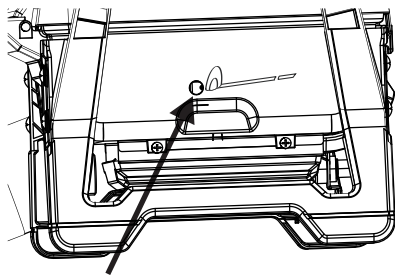
- Ligue as válvulas de controlo do queimador de gás para .
- Conecte o cartucho de GLP.
- Abra a tampa da grelha.**
- Prima e gire o botão de controlo para a posição .
- Prima o botão de ignição rapidamente.
- Assim que o queimador estiver aceso, espere 5 minutos e repita o processo do queimador para a posição desejada.
- Se a ignição não ocorrer em 5 segundos, gire os controlos

de acendimento.

**Se mesmo assim a ignição não ocorrer, siga as instruções de acendimento com fósforos.**

### Acendimento com fósforos

- Coloque o fósforo aceso próximo ao queimador. Gire o botão do regulador para .
- Se a ignição NÃO ocorrer em 5 segundos, gire o botão do regulador para , aguarde 5 minutos e repita o procedimento de acendimento.

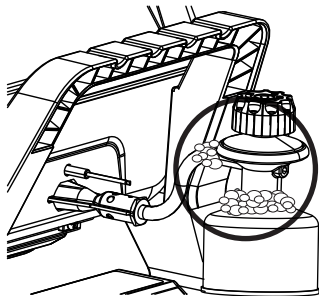


Orifício do fósforo aceso

### Verificação de vazamentos das válvulas, tubo e regulador

Verifique se há vazamentos pelo menos uma vez por ano sempre que o cartucho for trocado ou desconectado.

- Gire todos os botões de controlo do aparelho para OFF.**
- Certifique-se de que o cartucho de gás está conectado com segurança ao regulador.
- Se ouvir um som de chiado, remova o cartucho imediatamente. Existe um grande vazamento na conexão. **Conserte antes de continuar.**
- Passar uma solução de sabão (mistura de metade sabão, metade água) nas conexões da mangueira e áreas de abaixo ao redor.
- Se aparecerem bolhas, existe vazamento. Verifique se o cartucho está bem fixado. Se o vazamento for contínuo, troque o cartucho e tente novamente. Se o vazamento não pode ser parado não tente consertar. Solicite peças de substituição.

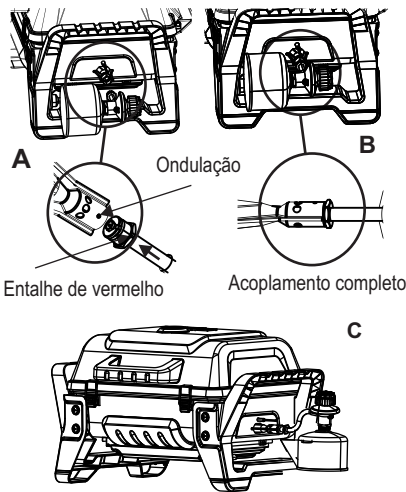


### Regulador/Instalação da válvula/Remoção

- Com o botão para a direita, insira o Regulador/Válvula no terminal do queimador (A)

O entalhe no Regulador/Válvula **PRECISA** se acoplar na ondulação no terminal do queimador.

- Quando o Regulador/Válvula tiver acoplado o queimador totalmente, gire o Regulador/Válvula sentido anti-horário (B) para travá-lo na posição com o botão apontando conforme mostrado (C).
- Para remover, inverta os passos.



CUIDADO

ALERTA DE ARANHAS!

ARANHAS E TEIAS DENTRO DO QUEIMADOR

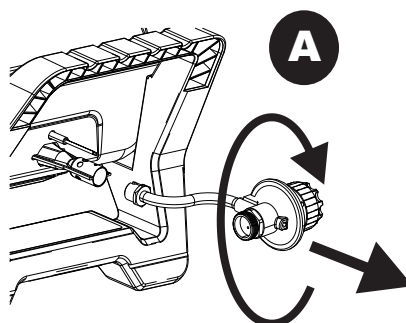


Se a sua churrasqueira ficar mais difícil de acender ou com fogo fraco, verifique e limpe os venturis e os queimadores.

Sabe-se que aranhas ou pequenos insetos criam problemas de refluxo, com a criação de ninhos e põem ovos no venturi ou no queimador da churrasqueira, causando a obstrução do fluxo de gás. O gás retornado pode acender por trás do painel de controlo. Esse refluxo pode danificar sua churrasqueira e causar ferimentos. Para evitar refluxos e garantir um bom desempenho, o queimador e o conjunto do tubo venturi devem ser removidos e limpos sempre que a churrasqueira estiver parada por um longo período de tempo.

### Limpendo O Conjunto Do Queimador

- Desligue o gás no botão regulador e desconecte o cartucho de gás.
- Remova a grelha de cozimento.
- Remova o regulador do tubo do queimador (1) girando o regulador até que o botão se para a direita, em seguida, (2) puxando para fora. Mostrado na FIG. A
- Limpe o electrodo de cerâmica com pano e álcool. Limpe o exterior do queimador com sabão e água. Insira uma mangueira de jardim (de preferência com bocal) no tubo do queimador para forçar a água a passar pelo tubo. Certifique-se de que a água saia por todos os furos. Desobstrua os furos com um arame fino. **Deixe os queimadores secarem totalmente** e examine os furos. Devido ao desgaste e corrosão normal alguns furos podem sofrer alargamento, neste caso substitua o queimador. Se aparecerem rachaduras horizontais de um furo a outro ou furos grandes (além dos furos normais) substitua o queimador.
- Quando guardar a churrasqueira, passe uma camada fina de óleo no queimador. Cubra com uma capa de protecção para evitar insectos. Se não for guardá-la, proceda com os passos a seguir.
- Reconecte o regulador.
- Substitua a grelha de cozimento.
- Antes de cozinhar novamente na churrasqueira, faça um "Teste de vazamentos" e "Verificação da chama do queimador".



## Como armazenar o aparelho

- Limpe as grelhas de cozinhar.
- Armazene em local seco.
- Quando o cilindro de gás estiver conectado ao aparelho, armazene em ambiente externo em um espaço bem ventilado, fora do alcance de crianças.
- Cubra o aparelho se for armazenado no exterior.
- Armazene o aparelho em espaços fechados SOMENTE se o cilindro de gás estiver desconectado, retirado do aparelho e armazenado em ambiente externo.
- Quando remover o aparelho do local de armazenamento verifique se há obstruções dos queimadores.

## Limpeza geral do aparelho

- Limpe o aparelho frequentemente, de preferência após cada churrasco. Se a escova de arame for usada para limpar qualquer das superfícies de cozinhar do aparelho, assegure que nenhuma cerda permaneça nas superfícies de cozinhar antes de grelhar. Não é recomendado limpar a superfície de cozinhar enquanto o aparelho estiver quente. O aparelho deve ser limpo pelo menos uma vez por ano.
- Não confunda acumulação castanha ou preta de gordura e fumaça com pintura. Os interiores das churrasqueiras à gás não são pintados de fábrica (e nunca devem ser pintados). Aplique uma solução forte de detergente e água, ou use um limpador de aparelho com a escova de limpeza no interior da tampa e do fundo do aparelho. Enxague e deixe a secar ao ar completamente. **Não aplique produtos cáusticos de limpeza do aparelho/forno em superfícies pintadas.**
- Peças de plástico:** Lave com água morna com sabão e seque. Não utilize citrisol, limpadores abrasivos, desengordurantes ou um limpador concentrado de aparelho em peças plásticas. Podem ocorrer danos e falhas nas peças.
- Superfícies de porcelana:** Por conta da composição semelhante ao vidro, a maior parte dos resíduos pode ser varrido com solução de bicarbonato de sódio/água ou limpador especialmente formulado. Use detergente em pó não abrasivo para as manchas mais persistentes.
- Superfícies pintadas:** Lavar com detergente suave ou limpador não abrasivo e água morna com sabão. Seque com um pano macio e não abrasivo.
- Superfícies de aço inoxidável:** Para manter a aparência de alta qualidade do seu aparelho, lave com detergente suave e água morna com sabão e seque com um pano macio após cada utilização. Os depósitos de gordura assada podem exigir a utilização de uma esponja plástica abrasiva para limpeza. Utilize apenas no sentido do acabamento escovado para evitar danos. Não use esponja abrasiva em áreas com desenhos.
- Superfícies de cozinhar:** Se a escova de arame for usada para limpar qualquer das superfícies de cozinhar do aparelho, assegure que nenhuma cerda permaneça nas superfícies de cozinhar antes de grelhar. Não é recomendado limpar as superfícies de cozinhar enquanto o aparelho estiver quente.

## SE O APARELHO NÃO ACENDER

Verifique se o gás está ligado no cartucho. Verifique se há gás no cartucho.

O accionador faz um ruído de acendimento?

Se sim, verifique se há faísca no queimador.

Se não houver faísca, verifique se há fios danificados ou soltos.

Se os fios estiverem correctos, verifique se há electrodos rachados ou quebrados e substituir se necessário.

Se o fio ou electrodos são cobertos por resíduo de cozimento, limpe a ponta do electrodo com álcool de limpeza se necessário.

Se necessário, substitua os fios.

Se não houver som, verifique a bateria.

Certifique-se de que a bateria se encontra correctamente instalada.

Verifique se há conexão solta do fio ao módulo e ao interruptor.

Se o accionador continuar a não funcionar, então use os fósforos.

Se este aparelho precisar de conserto, entre em contacto com seu fornecedor ou com a Kriswell A/S. Veja as informações de contacto da Kriswell A/A na página 40.

**VIGTIGT: Læs disse anvendelsesinstruktioner omhyggeligt så du kender apparatet for det tilsluttes til dets gasbeholder. Gem disse instruktioner til fremtidigt brug. Må kun bruges udendørs**

Apparaat Categorie: dampspanning-butaaan-propaan-mengsel

## INSTALLATØR/SAMLER

Opbevar denne manual hos forbrugeren.

### FORBRUGER:

Behold denne manual til fremtidig brug.

### Spørgsmål:

Hvis du har spørgsmål i forbindelse med samling eller anvendelse af dette apparat, så kontakt din lokale forhandler.



## FARE

Hvis du kan lugte gas:

1. Luk for gas tilførslen til apparatet.
2. Sluk for evt. åben ild.
3. Åben låget.
4. Hvis lugten bliver ved, så hold dig væk fra apparatet og ring straks til gasforsyningen eller brandvæsenet.



## FARE

1. Brug aldrig dette apparat uden at holde øje med det.
2. Brug aldrig dette apparat inden for 3 m fra enhver form for bygning, brændbart materiale eller gascylindere eller patroner.
3. Brug aldrig dette apparat inden for 7.5 m fra enhver form for brændbar væske.
4. Hvis der skulle opstå en brand, så gå væk fra apparatet og ring straks til brandvæsenet. Forsøg ikke at slukke en olie eller fedtbrand med vand.

Hvis disse instruktioner ikke følges kan konsekvensen være brand, eksplosioner eller brandulykker, som kan medføre skader på ejendom, personskader eller død.

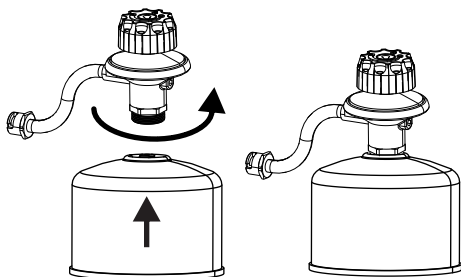
## TEKNISKE DATA

Gasforbrug: 2,8 kW (204 g/h)

Injektør størrelse: 0,80 mm

Type gas: butaan-propaan mengsel

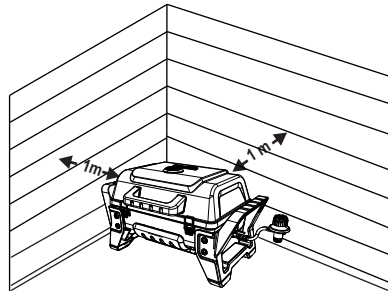
## GASPATRON TILSLUTNING



## ADVARSEL

**For sikker brug af dit apparat og for at undgå alvorlige ulykker:**

- **MÅ KUN BRUGES UDENDØRS. MÅ ALDRIG BRUGES INDENDØRS**
- Læs anvisningerne før anvendelse af apparatet. Følg altid disse anvisninger.
- Flyt ikke på apparatet under brug.
- Tilgængelige dele kan være meget varme. Hold små børn væk. Lad ikke børn bruge apparatet eller lege i nærheden.
- Må kun bruges på en stabil vandret overflade.
- Dette apparat skal holdes væk fra brændbare materialer under brug.
- Bloker ikke hullerne i apparatets sider eller bag på.
- Tjek brænderflammerne regelmæssigt.
- Bloker ikke for brænderens venturi åbninger.
- Brug kun apparatet et godt ventileret sted. Brug det ALDRIG et lukket sted, som en carport, garage, veranda, overdækket terrasse, eller under en overdækning i det hele taget.
- Brug ikke trækul eller keramiske briketter i et gasapparat.
- Dæk IKKE risten med aluminiumsfolie eller andet materiale. Det vil blokere for brændventilationen og skabe en potentielt farlig tilstand, som kan give skader på bygninger og/eller mennesker.
- Brug apparatet mindst 1 m fra vægge og andre overflader. Hold en afstand på 3 m fra genstande, som kan gå i brand eller antændingskilder som gasflammer i vandvarmere, elektriske apparater etc.



- Prøv ALDRIG at tænde brænderen med lukket låg. En ophobning af ikke antændt gas i et lukket apparat er farligt.
- Sluk altid for gassen på patronen og afbryd regulatoren før flytning af gas cylinderen fra den specificerede driftsposition.
- Anvend aldrig apparatet med gas patronen udenfor den angivne korrekte position.
- Byg ikke apparatet om. Alle ombygninger er strengt forbudt. Lukkede dele må ikke håndteres af brugeren. Lad være med at skille injektorerne ad.

## KRAV TIL REGULATOR

- Brug kun den regulator der leveres sammen med dette produkt eller en regulator leveret af producenten.

## Sikkerhedstips

- Når apparatet ikke er i brug, så sluk for alle kontrolknapper og gas.
- Brug grilludstyr med lange håndtag og oven handsker for at undgå forbrændinger og sprøjt. Brug beskyttelseshandsker ved håndtering af varme dele.
- Fedtbakken (hvis den findes) skal sættes ind i apparatet og tømmes efter hver brug. Fjern ikke fedtbakken før apparatet er helt koldt.
- Vær meget forsigtig når du åbner låget, da der kan slippe varm damp ud.
- Vær meget forsigtig hvis der er børn, ældre eller kæledyr i nærheden.
- Hvis du ser fedt eller andet varmt materiale dryppe fra apparatet ned på ventil, slange eller regulator, sluk straks for gas tilførslen. Find ud af årsagen, ret den og rens og undersøg ventilen, slangen og regulatoren for du fortsætter. Udfør en lækagetest.



## ADVARSEL


- Læs og følg alle sikkerhedsanvisninger, samleanvisninger og brugs- og vedligeholdelsesvejledninger før forsøg på samling og madlavning.
- Nogle dele kan have skarpe hjørner. Brug af beskyttelseshandsker anbefales.

## Fedtbrande

- Slukning af fedtbrande ved at lægge låget på er ikke muligt. Grillen er ventileret af sikkerhedsgrunde.
- Hæld ikke vand på en fedtbrand, det kan give personskader. Hvis der udvikles en vedvarende fedtbrand, sluk på knappen.
- Hvis apparatet ikke er blevet rengjort regelmæssigt, kan der opstå en fedtbrand, som kan ødelægge produktet. Vær meget opmærksom ved forvarmning eller afbrænding af fastbrændte madrester, så det sikres at der ikke opstår en fedtbrand. Følg instruktionerne om almindelig rengøring af apparatet og rensning af brændersamlingen for at forebygge fedtbrande.
- Den bedste forebyggelse af fedtbrande er regelmæssig rengøring af apparatet.

## GASPATRONER


- Dette apparat må kun anvendes med butan / propan engangs gaspatroner med en EN417 ventil som CFH 230g, Zapp 445g, Coleman 500g eller tilsvarende, uden at overskride 500g.
- Det kan være farligt at forsøge at sætte andre gaspatroner typer til.
- Skift gaspatron udenfor og væk fra mennesker. Afbryd IKKE eller skift gasbeholder indenfor 3 m afstand til åben ild eller en anden antændelses kilde.
- Undersøg om gaspatronen er tom før den skiftes (ryst den for at høre om evt.. tilbageværende væske skulper).
- Undersøg om brænderne er slukkede før gaspatronen tages af.
- Undersøg om forseglingerne sidder rigtigt og er uskadede før tilslutning til gasbeholder. Controleer de afdichtingen voordat u een nieuwe gasfles aan het apparaat aansluit.
- Brug ikke apparatet hvis det har ødelagte eller slidte forseglinger. Forsøg ikke at reparere forseglingerne. Anskaf nye dele fra producenten.
- Brug ikke apparatet, hvis det er utæt, ødelagt eller hvis det ikke fungerer korrekt.
- Hvis dit apparat er utæt et eller andet sted (lugt af gas), tag det straks udenfor og find et godt ventileret flamme frit sted, hvor utætheden kan blive fundet og stoppet. Hvis du gerne vil undersøge dit apparat for utætheder, så gør det udenfor. Prøv ikke at finde utætheder ved at bruge en flamme, brug sæbevand.

 Regulatoren låst i SLUK-position. Drej til ○ for at låse op.

## Antændelse af tænderen


### LÆS INSTRUKTIONERNE FØR ANTÆNDELSE

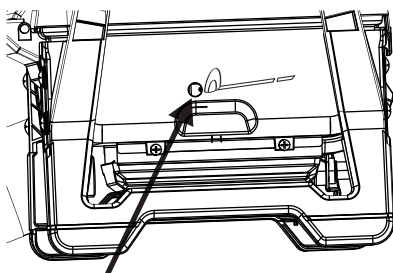
Læn dig ikke hen over apparatet ved antændelse.

1. Sæt gasbrænder kontrolventil til ○.
2. Tilslut LP gaspatron.
3. Åben grillens låg.
4. Tryk på og drej kontrolknappen til  position.
5. Tryk hurtigt på tænderknappen.
6. Så snart brænderen er antændt, drejes kontrolknappen hen til den ønskede indstilling.
7. Hvis antændelsen ikke sker i løbet af 5 sekunder, så drej brænder kontrolknappen til ○, vent 5 minutter, og gentag antændelses proceduren.

Hvis der stadig ikke sker nogen antændelse, så følg instruktioner om antændelse med tændstik.

## Tænding med tændstik

1. Placer en tændt tændstik ved siden af brænderen. Drej regulatoren til .
2. Hvis der ikke antændelse i løbet af 5 sekunder drejes regulatoren til ○, vent 5 minutter og gentag tændingsproceduren.

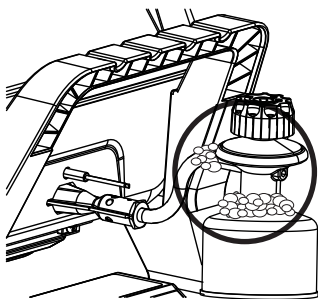


Tændstik  
tændingshul

## Lækagetestafventiler, rørgregulator

Foretag lækagetest mindst en gang om året og hver gang patronens kiftes eller forbindelsen afbrydes.

1. Drej apparatets kontrolknapper til ○.
2. Vær sikker på at patronen er tæt tilsluttet til regulatoren.
3. Hvis du hører en *hvesende lyd*, fjern da patronen straks. Der er en større utæthed ved tilslutningen. **Bring den i orden før du fortsætter.**
4. Børst en sæbeopløsning (en blanding af halvt sæbe og halvt vand) på slangeforbindelserne og områderne i cirkler nedenfor.
5. Hvis der opstår bobler er der et hul. Undersøg om patronerne er tætte. Hvis utætheden fortsætter, udskift patronen og prøv igen. Hvis lækagen ikke kan stoppes, prøv ikke at reparere. Ring efter reservedele.

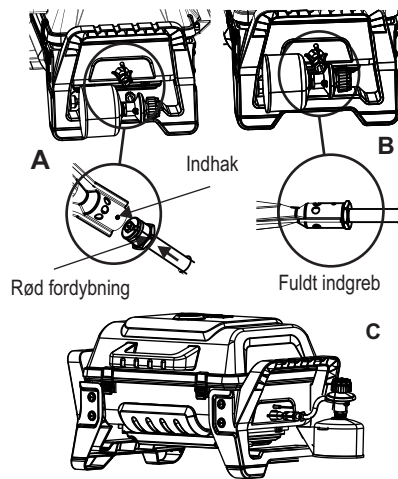


## Regulator/ventilinstallation/afmontering

1. Mens knappen peger til højre, indsættes regulatoren/ventilen i enden af brænderen (A).

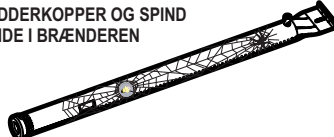
Indhakked i regulatoren/ventilen skal gribe ind fordybningen i enden af brænderen.

2. Når regulatoren/ventilen fuldstændig har tændt brænderen, drej så regulatoren/ventilen mod uret (B) til låsepositionen hvor knappen peger som vist (C).
3. For at fjerne den, gøres ovenstående i omvendt rækkefølge.



## PAS PÅ EDDERKOPPER!

EDDERKOPPER OG SPIND  
INDE I BRÆNDEREN

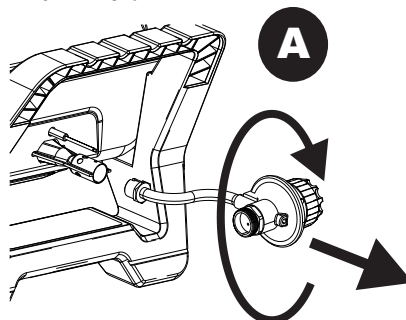


Hvis din grill er blevet svær at tænde eller hvis flammen er svag, tjek og rens venurieme og brænderne.

Edderkopper eller små insekter kan skabe "flashback" problemer ved redebygning og æglægning i grillens venturi eller brænder, og hæmmer dermed gas strømmen. Den tilbageholdte gas kan antændes bag kontrolpanelet. Denne flashback kan skade din grill og medføre ulykker. For at forebygge flashbacks og sikre god funktion, bør brænder og venturi slange samlingen tages af og renses, når grillen ikke er blevet brugt i længere tid.

## Rengøring af brænderen/samling

1. Luk for gassen på regulatoren og afbryd gaspatron.
2. Fjern kogeristen.
3. Fjern regulator fra brænderrøret ved at (1) dreje regulatoren indtil knappen er til højre, og derefter (2) ved at den trække udad. Vist på FIG. A
4. Tør den keramiske elektrode med sprit og klud. Rens brænderen udvendigt med vand og sæbe. Indsæt haveslange (helst med dyse) i brænderrøret for at skylle vand gennem røret. Sørg for, at vandet kommer ud af hver køje. Åbn tilstoppede køjer med en tynd ståltråd. **Lad brænderen tørre grundigt** og tjek køjer. På grund af normalt slid og korrosion kan nogle køjer blive forstørrede, hvis det sker, så udskift brænderen. Hvis der findes eventuelle vandrette revner fra køje til køje eller store huller (bortset køjer), udskiftes brænderen.
5. Hvis grillen skal opbevares, dæk så brænderen let med madolie. Pak ind i et beskyttende dække for at holde insekter ude. Hvis den ikke skal opbevares, gør da følgende trin.
6. Sæt regulatoren på plads.
7. Udskift kogeristen.
8. Inden grillen igen bruges til tilberedning, udføres en "lækagetest" og "tjek af brænderflamme".



## Opbevaring af dit apparat

- Rens ristene.
- Opbevares et tørt sted.
- Når gaspatronen er forbundet med apparatet skal det opbevares udendørs et godt ventileret sted udenfor børns rækkevidde.
- Dæk apparatet til hvis det opbevares udendørs.
- Må KUN opbevares indendørs hvis gaspatronen er afmonteret, fjernet fra apparatet og opbevares udendørs.
- Når apparatet tages frem fra opbevaring, tjek for brænder tilstopninger.

## Generelt om rengøring af apparatet

- Rens apparatet ofte, helst efter hver gang det har været brugt. Hvis der bruges børste til rengøring af apparatets madlavningsoverflader, så vær sikker på, at der ikke er børste hår på madlavningsoverflader, når der grilles. Det anbefales ikke at rengøre madlavningsoverflader når apparatet er varmt. Hele apparatet bør rengøres mindst en gang om året.
- Man skal ikke forveksle brune eller sorte fedtansamlinger og røg med maling. Indersiden af en gas grill er ikke malet fra fabrikken (**og må aldrig males**). Brug en kraftig blanding af et rengøringsmiddel og vand, eller et rengøringsredskab med børste på indersiden af apparatets låg og bund. Skyl og lad lufttørre fuldstændigt. **Brug ikke kaustisk soda eller oven rens på malede overflader.**
- **Plasticdele:** Vask med varmt sæbevand og tør med klud. Brug ikke fedtopløsende, slibende midler, affedningsmidler eller koncentrerede rengøringsmidler på plasticdele. Det kan resultere i skader og fejl på dele.
- **Porcelænsoverflader:** På grund af de glaslignende egenskaber, kan det meste snavs tørres væk med en soda/vand opløsning eller et specialrengøringsmiddel. Brug ikke-slibende skurepulver til genstridige pletter.
- **Malede overflader:** Vask med et mildt og ikke-slibende rengøringsmiddel og varmt sæbevand. Tør med en blød ikke ridende klud.
- **Overflader af rustfrit stål:** For at opretholde dit apparats signaler om høj kvalitet, vask det med et mildt rengøringsmiddel og varmt sæbevand og tør det med en blød klud efter hver brug. Fastbrændte fedtlag kan nødvendiggøre brug af en slibende plastic rensepude. Brug den kun i en retning for at undgå skader. Brug ikke slibepuder på områder med grafik.
- **Madlavningsoverflader:** Hvis der bruges børste til rengøring af apparatets madlavningsoverflader, så vær sikker på, at der ikke er børste hår på madlavningsoverflader, når der grilles. Det anbefales ikke at rengøre madlavningsoverflader når apparatet er varmt.

## HVIS APPARATET IKKE KAN TÆNDES

Undersøg om gassen er sat til på patronen. Undersøg om der er gas i patronen.

Kommer der lyd af gnister fra tænderen? Hvis ja, se om der er gnister ved brænderen. Hvis der ikke er gnister, undersøg om der er ødelagte eller løse ledninger. Hvis ledningerne er OK, undersøg om der er revnede eller ødelagte elektroder, udskift hvis der er behov for det. Hvis ledning eller elektroder er fyldt med madrester, rens elektrodespidsen med en klud dyppet i sprit.

Hvis det er nødvendigt, udskift ledninger. Hvis der ikke er nogen lyd, tjek batteriet. Vær sikker på, at batteriet er installeret korrekt. Undersøg om der er løse ledningsforbindelser på modul og kontakt.

Hvis tænderen stadig ikke virker, så brug en tændstik.

Indien dit apparaat gerepareerd moet worden, neem dan contact op met uw leverancier of met Kriswell A / S. Voor de contactinformatie van Kriswell A / A, zie pagina 40.

**VIKTIG:** Les disse instruksene nøye, slik at du blir kjent med apparatet før du kobler det til gassbeholderen. Ta vare på disse instruksene for evt. fremtidig bruk. Skal kun brukes utendørs.

Apparatkategori: damptrykk, blandingsgass av butan og propan.

### INSTALLATØR/MONTØR:

Brukerveiledningen skal overlates til brukeren.

### FORBRUKER:

Ta vare på manualen for evt. fremtidig bruk.

### Spørsmål:

Hvis du har spørsmål under montering eller bruk av dette apparatet, bør du ta kontakt med din lokale forhandler.

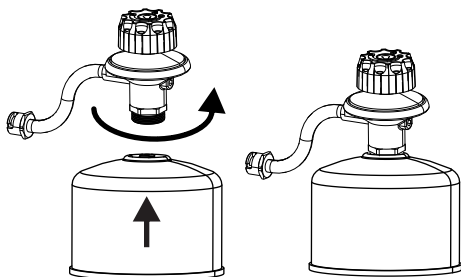
	<b>FARE</b>	
<p>Hvis du lukter gass:</p> <ol style="list-style-type: none"> <li>1. Skru av apparatets gasstilførsel.</li> <li>2. Slukk alle åpne flammer.</li> <li>3. Åpne lokket.</li> <li>4. Hvis lukten forblir, må du øyeblikkelig komme deg unna apparatet og ringe gassleverandøren eller brannvesenet øyeblikkelig.</li> </ol>		

	<b>FARE</b>	
<ol style="list-style-type: none"> <li>1. La aldri apparatet gå uten oppsyn.</li> <li>2. Apparatet skal aldri benyttes innen 3 m fra konstruksjoner, brennbar materiale og andre gassylindere eller sylindere.</li> <li>3. Benytt aldri apparatet nærmere enn 7,5 m fra brennbar væske.</li> <li>4. Hvis det oppstår brann, må du holde deg unna apparatet og ringe brannvesenet umiddelbart. Ikke prøv å slukke olje- eller fettbrann med vann.</li> </ol>		
<p>Dersom du ikke følger disse instruksene, kan det føre til brann, eksplosjoner og brannfare som kan føre til skade på eiendom, personskade og død.</p>		

### TEKNISKE DATA

Gassforbruk: 2,8 kW (204 g/t)  
 Injektorstørrelse: 0,80 mm  
 Type gass: butan-propan-blanding

### KOBLING AV GASSYLINDERE



	<b>ADVARSEL:</b>	
<p><b>For sikker bruk av apparatet og for å unngå alvorlig skade:</b></p> <ul style="list-style-type: none"> <li>• <b>SKAL KUN BRUKES UTENDØRS. SKAL ALDRI BRUKES INNENDØRS.</b></li> <li>• Les instruksene før du bruker apparatet. Følg alltid disse instruksene.</li> <li>• Ikke flytt apparatet under bruk.</li> <li>• Tilgjengelige deler kan være svært varme. Hold unge barn unna. Ikke la barn bruke eller leke i nærheten av apparatet..</li> <li>• Må kun brukes på stabile horisontale flater.</li> <li>• Dette apparatet må holdes unna brannfarlig materiale ved bruk.</li> <li>• Ikke blokker hull på apparatets sider eller bakside.</li> <li>• Kontroller brennerflammene jevnlig.</li> <li>• Ikke blokker brennerens åpninger.</li> <li>• Apparatet skal kun brukes i godt ventilerte områder. Apparatet skal ALDRI brukes på innestengte områder, f.eks. garasjer, forstuer, tildekte bakgårder eller under noen som helst tildekket konstruksjon.</li> <li>• Ikke bruk trekkull eller kjeramikkbriketter med gassapparater.</li> <li>• IKKE dekk til fyristene med aluminiumsfolie eller andre materialer. Da blokkeres brennerens ventilasjon, og dette kan føre til farlige forhold som resulterer i skade på eiendom eller personer.</li> <li>• <b>Bruk apparatet minst 1 meter fra vegger og andre flater.</b> Sørg for at det er 3 m klaring til objekter som kan ta fyr og tenningskilder som f.eks pilotflammer for vannvarmere, glødende elektriske apparater, o.l.</li> </ul>		
		
<ul style="list-style-type: none"> <li>• Prøv ALDRI å tenne på brenneren mens lokket er på. Oppbygging av ikke påtent gass i et lukket apparat er farlig.</li> <li>• Slå alltid av gassen på sylinderen, og koble fra regulatoren før du flytter gassylinderen fra angitt bruksposisjon.</li> <li>• Benytt aldri et apparat med gassylinder unna angitt bruksposisjon.</li> <li>• Modifiser aldri apparatet. Enhver form for modifisering er strengt forbudt. Forsegledede deler skal ikke endres av brukeren. Ikke ta innsprutingspumper fra hverandre.</li> </ul>		

### KRAV TIL REGULATOR

- Bruk kun regulatoren som leveres med produktet, eller en reservedel levert av produsenten.

### Sikkerhetstips

- Når apparatet ikke er i bruk, må du slå av alle kontrollknøtter og gassen.
- Bruk grillutstyr med langt håndtak og ovnsvanter for å unngå brannskader og skvetting. Bruk vernehansker når du håndterer varme komponenter.
- Fettoppsamlere (hvis slik finnes) skal settes inn i apparatet og alltid tømmes etter bruk. Ikke fjern fettoppsamlere før apparatet er kjølt helt ned.
- Vær svært forsiktig når du åpner lokket, da varm damp kan forekomme.
- Vær svært forsiktig når barn, eldre og kjæledyr er i nærheten.
- Hvis du legger merke til at fett eller annet varmt materiale drypper fra apparatet til ventilen, må du øyeblikkelig spyle regulatoren og skru av gasstilførselen. Finn årsaken, og rett den opp. Deretter må du rengjøre og inspisere ventilen, slangen og regulatoren før du fortsetter. Gjennomfør en lekkasjetest.

### FORSIKTIG



- Les og følg alle sikkerhetsmeldinger, monteringsinstruksjoner og veiledning for bruk og vedlikehold før du setter det sammen og varmer det opp.
- Enkelte deler kan inneholde skarpe kanter. Bruk av vernehansker anbefales.

### Brennende fett

- Det er ikke mulig å slukke brennende fett ved å lukke lokket. Grillen er godt ventilert av sikkerhetshensyn.
- Ikke bruk vann til å slukke brennende fett, da dette kan føre til personskade. Hvis en vedvarende fettbrann utvikles, må du skru av knottene og gassylinderen.
- Hvis apparatet ikke har blitt rengjort jevnlig kan brennende fett forekomme og ødelegge produktet. Vær forsiktig når du forvarmer eller brenner matrester, for å sørge for at brennende fett ikke forekommer. Følg instruksene for generell rengjøring av apparatet og rengjøring av brennermonteringen for å unngå brennende fett.
- Den beste måten å unngå brennende fett på, er å rengjøre apparatet jevnlig.

### GASSYLINDERE



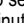
- Dette apparatet skal kun brukes med butan / propan disponibel gasspatroner med en EN417 ventil som CFH 230g, Zapp 445 g, Coleman 500g eller tilsvarende, uten å overstige 500g.
- Det kan være farlig å prøve å koble til andre typer gassylindere.
- Bytt gassbeholderen ut og vekk fra folk. IKKE koble fra eller skift ut gassbeholderen nærmere enn 3 m fra åpen flamme eller andre antenningskilder og personer.
- Kontroller at gassylinderen er tom før du skifter den ut (rist den for å høre lyden av væsken).
- Kontroller at brennerne slukkes før du kobler fra gassylinderen.
- Kontroller at forseglingen er på plass og i god stand før du kobler den til gassbeholderen. Sjekk forseglingen før du kobler en ny gassbeholder til apparatet.
- Ikke bruk apparatet dersom forseglingene er skadet eller slitte. Ikke prøv å reparere forseglinger. Få nye deler fra produsenten.
- Ikke bruk apparatet dersom det lekker eller er skadet, eller hvis det ikke fungerer slik det skal.
- Dersom apparatet ditt lekker (du kjenner gassluk), må umiddelbart ta det ut i et godt ventilert og flammefritt område, slik at lekkasjen kan lokaliseres og stanses. Dersom du ønsker å se etter lekkasjer på apparatet, må du gjøre det utendørs. Ikke prøv å finne lekkasjen med flamme. Bruk såpevann.

 Regulatoren er låst i AV-posisjon. Gå til  for å låse opp.

## Antenning



### LES INSTRUKSENE FØR DU TENNER PÅ.

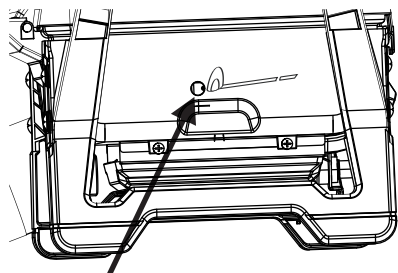
**IKKE len deg over apparatet når det antennes..**

1. Sett gassbrennerens kontrollventil til .
2. Koble til LP-gasssylindringen.
3. Åpne grilllokket.
4. Trykk og skru kontrollknotten til -posisjon.
5. Trykk ignitorknappen raskt.
6. Når brenneren er tent, skru du kontrollknotten til ønsket innstilling.
7. Hvis apparatet ikke antennes innen 5 sekunder, må du skru brennerkontrollene på , vente 5 minutter og gjenta antenningsprosedyren.

**Hvis antenning ikke skjer, må du følge instruksene for antenning med fyrstikk.**

### Tenne med fyrstikk


1. Plasser den tente fyrstikken ved siden av brenneren. Drei regulatorknappen til .
2. Hvis tenning IKKE oppstår i løpet av fem sekunder, dreier du knappen til , venter i fem minutter og gjentar prosedyren.

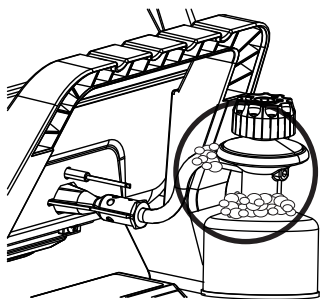


Fyrstikkhull

### Lekkasjekontrollavventiler, slange og regulator

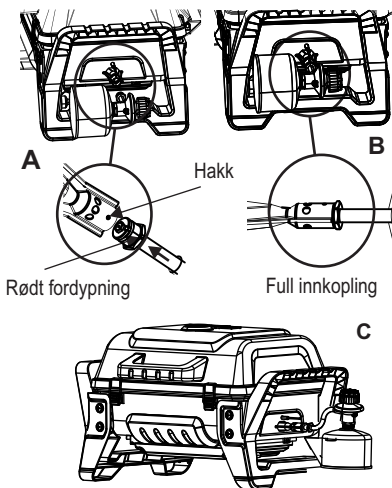
Lekkasjetest minst en gang årlig, og hver gang sylindren skiftes ut eller kobles fra.

1. **Skru apparatets kontrollknott til .**
2. Kontroller at sylindren er koblet tett til regulatoren.
3. Hvis du hører *susende lyd*, fjern patronen umiddelbart. Det er en større lekkasje ved tilkoblingen. **Korriger før du fortsetter.**
4. Børst en såpeblanding (blanding av en del såpe og en del vann) på slangens koblinger og de områdene med ring rundt nedenfor.
5. Hvis *voksende bobler* oppstår, har det oppstått en lekkasje. Kontroller at sylindren er stramt festet. Hvis lekkasjen fortsetter, må du skifte ut sylindren og prøve på nytt. Hvis lekkasjen ikke kan stanses, må du ikke prøve å reparere den. Be om reservedeler.



### Fjerning/montering av regulator/ventil

1. Mens knappen peker til høyre, setter du regulatoren/ventilen inn i enden av brenneren (A).  
**Hakk i regulator/ventil MÅ festes til fordypningen i enden av brenneren.**
2. Straks regulatoren/ventilen har festet brenneren fullstendig, dreier du regulatoren/ventilen mod klokken (B) for å låse den i posisjon mens knappen peker som vist (C).
3. For å fjerne, utfør trinnene i motsatt rekkefølge.



Rødt fordypning

Full innkøpling

C



## FORSIKTIG

### EDDERKOPPFARE!

EDDERKOPPER OG SPINDELVEV INNE I BRENNEREN

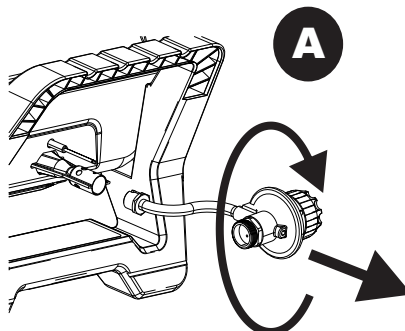


Hvis grillen er vanskelig å antenne eller hvis flammen er svak, må du kontrollere venturirøret og brennerne.

Edderkopper og andre små insekter kan forårsake "flashback"-problemer ved at de bygger reir og legger egg i grillens venturirør og brenneren, og på den måten hindrer gassflyt. Tilbakeflygende gass kan antennes bak kontrollpanelet. Flashbacken kan føre til skade på grillen og personskafe. Forebygg flashback og sørg for god ytelse ved å fjerne og rengjøre brenneren og venturirøret hver gang grillen har vært ute av bruk over lengre tid.

### Rengjøre Brennermontasjen

1. **Slå av gassen ved regulatorknappen og koble fra gasspatronen.**
2. Fjern grillristen.
3. Fjern regulator fra brennerøret ved (1) å rotere regulatoren til knappen er til høyre og deretter (2) ved å trekke den utover. Vist **FIG. A**
4. Tørk keramisk elektrode med isopropanol og klut. Rengjør brenneren utvendig med såpe og vann. Sett hageslangen (fortrinnsvis med dyse), inn i brennerøret mens du tvinger vann gjennom røret. Kontroller at vann kommer ut av hvert port. Åpne tilstoppede porter med en tynn tråd. **La brenneren tørke grundig** og undersøk portene. Noen av portene kan bli forstørret på grunn av normal slitasje og korrosjon. Erstatt brenneren hvis dette skjer. Hvis du finner horisontale sprekker fra port til port eller store hull (andre enn portene), må du erstatte brenneren.
5. Hvis grillen skal lagres, overflatebehandler du brenneren forsiktig med kokeolje. Pakk inn i beskyttende dekke for å holde insekter ute. Hvis den ikke skal lagres, bruk følgende trinn.
6. Fest regulatoren.
7. Erstatt grillristen.
8. For du steker mat på grillen igjen, utfører du en "lekkasjetest" og "brennerflammesjekk".



### Slik oppbevarer du apparatet

- Rengjør kokeplater.
- Lagres tørt.
- Når gassylindringen er festet til apparatet, skal den lagres utendørs på et godt ventilert område, utilgjengelig for barn.
- Dekk til apparatet når det oppbevares utendørs.
- Apparatet kan KUN oppbevares utendørs hvis gassylindrene er skrudd av og frakoblet, fjernet fra apparatet og lagret utendørs.
- Når du tar apparatet ut av lagring, må du kontrollere at ingenting blokkerer brennerne.

### Generell rengjøring av apparatet

- Rengjør apparatet ofte, helt etter hver gangs bruk. Hvis du bruker grisebustbørste til å rengjøre apparatets kokeflater, må du sørge for at ingen løse børstedeler blir liggende igjen på kokeflatene før du griller. Det anbefales ikke å rengjøre kokeflatene mens apparatet er varmt. Apparatet må rengjøres minst en gang årlig.
- Ikke ta feil av brune og svarte fettopsamlinger og maling. Gassgrillens innside ble ikke malt på fabrikk (og bør aldri males). Bruk en sterk blanding av rengjøringsmiddel og vann, eller bruk en innretning for rengjøring av apparater med skurebørste på innsiden av apparatets lokk og bunn. Rengjør, og vent til apparatet er helt lufttørr. **Ikke bruk kaustisk apparat-/ovnsrengjøringsmiddel på malte flater.**
- **Deler i plast:** Vaskes med varmt såpevann og tørkes. Ikke bruk citrisol, skuremidler, avfetningsmidler eller konsentrert rengjøringsmiddel på plastdeler. Dette kan føre til skade på eller svikt i delene.
- **Porselenflater:** Fordi disse er oppbygd omtrent som glass, kan rester som regel tørkes bort med en løsning av bakepulver og vann, eller spesialformulert rengjøringsmiddel. Bruk ikke-skurende pulver for vanskelige flekker.
- **Malte flater:** Vaskes med mildt rengjøringsmiddel eller ikke-skurende rengjøringsmiddel og varmt såpevann. Tørkes med myk, ikke-skurende klut.
- **Flater i rustfritt stål:** Vedlikehold apparatets utseende ved å bruke skånsomt vaskemiddel og varmt såpevann, og tørk deretter med en myk klut etter hver gangs bruk. Fastbrente oppsamlinger av fett kan kreve at du bruke skurende rengjøringsklut av plast. Bruk kun i samme retning som børste finish, for å unngå skade. Ikke bruk skurende klut på grafikk.
- **Kokeflater:** Hvis du bruker grisebustbørste til å rengjøre apparatets kokeflater, må du sørge for at ingen løse børstedeler blir liggende igjen på kokeflatene før du griller. Det anbefales ikke å rengjøre kokeflatene mens apparatet er varmt.

### HVIS APPARATET IKKE VIL ANTENNES

Kontroller at gassen er tilkoblet sylindren. Sørg for at sylindren inneholder gass.

Lager ignitoren gnistlyd?

Hvis ja, se etter gnister på brenneren. Hvis du ikke hører gnistlyd, se etter ødelagte og løse wire. Hvis wirene er OK, må du se etter sprukne eller ødelagte elektroder, som må byttes ut om nødvendig. Hvis wire eller elektroder er dekket av matrester, må du rengjøre elektrodens tupp med alkohol om nødvendig. Skift ut wirene om nødvendig.

Hvis du ikke hører noen lyd, må du sjekke batteriet. Kontroller at batteriet er riktig installert. Se etter løse wireforbindelser på modulen og bryteren.

Hvis antenningsmekanismen fortsatt ikke virker, kan du bruke fyrstikk.

Hvis dette apparatet må repareres, ber vi deg kontakte leverandøren eller Kriswell A/S. Kontaktinformasjonen til Kriswell A/A finner du på side 40.

**WAŻNE:** Należy uważnie przeczytać treść niniejszej instrukcji, aby zapoznać się z urządzeniem przed podłączeniem go do zbiornika z gazem. Prosimy o zatrzymanie tej instrukcji do wykorzystania w przyszłości. Z urządzenia należy korzystać wyłącznie na otwartej przestrzeni.

Kategoria urządzenia: sprężona mieszanka propan -butan

## INSTALATOR/MONTER

Proszę zostawić egzemplarz niniejszej instrukcji u klienta.

## KLIENT:

Proszę zachować niniejszą instrukcję do wykorzystania w przyszłości

## Pytania:

Jeśli w trakcie montażu albo użytkowania niniejszego urządzenia pojawiają się jakiegokolwiek pytania, należy skontaktować się z miejscowym sprzedawcą urządzenia.

⚠
NIEBEZPIECZEŃSTWO
⚠

W przypadku pojawienia się zapachu gazu:

1. Odciąć dopływ gazu do urządzenia.
2. Zgasić wszelkie źródła otwartych płomieni.
3. Otworzyć pokrywę.
4. W przypadku utrzymywania się zapachu oddalić się od urządzenia i bezwzględnie zgłosić ten fakt dostawcy gazu albo straży pożarnej.

⚠
NIEBEZPIECZEŃSTWO
⚠

1. Nigdy nie należy eksploatować tego urządzenia bez nadzoru.
2. Nigdy nie należy korzystać z niego w odległości mniejszej niż 3 m od dowolnego obiektu, materiału łatwopalnego lub innych butli albo wkładów gazowych.
3. Nigdy nie należy korzystać z tego urządzenia w odległości mniejszej niż 7,5 m od dowolnej cieczy łatwopalnej.
4. W przypadku zapalenia się urządzenia, należy się od niego oddalić i natychmiast wezwać straż pożarną. Nie należy podejmować prób gaszenia palącego się oleju ani tłuszczu wodą.

Nieprzestrzeganie niniejszych zaleceń może doprowadzić do zagrożenia pożarem, wybuchem lub oparzeniami, które mogą spowodować szkody majątkowe, obrażenia cielesne albo śmierć.

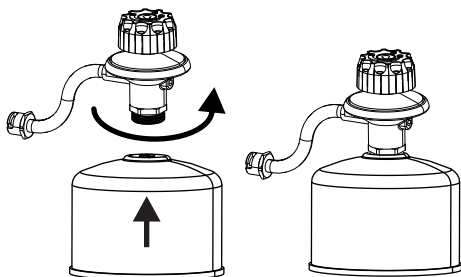
### DANE TECHNICZNE

Zużycie gazu: 2,8 kW (204g/h)

Wielkość wtryskiwacza: 0,80 mm

Rodzaj gazu: mieszanka propan-butan

### POŁĄCZENIE Z WKŁADAMI GAZOWYMI



⚠
OSTRZEŻENIE
⚠

W celu zapewnienia bezpieczeństwa użytkownika urządzenia oraz uniknięcia poważnych obrażeń:

- **URZĄDZENIE NALEŻY UŻYTKOWAĆ WYŁĄCZNIE NA OTWARTEJ PRZESTRZENI. NIGDY NIE NALEŻY KORZYSTAĆ Z URZĄDZENIA W POMIESCZENIACH ZAMKNIĘTYCH.**
- Przed użytkowaniem urządzenia należy zapoznać się z instrukcjami. Należy zawsze stosować się do tych instrukcji.
- W trakcie użytkowania urządzenia nie należy przemieszczać.
- Elementy dostępne mogą być bardzo gorące. Dzieci należy trzymać z dala od urządzenia. Nie należy dopuszczać do eksploatacji urządzenia przez dzieci, ani do tego, by dzieci bawiły się w pobliżu urządzenia.
- Użytkować wyłącznie na powierzchniach poziomych
- W trakcie użytkowania urządzenie musi znajdować się z dala od materiałów łatwopalnych.
- Nie należy zatykać otworów znajdujących się w bocznej albo tylnej części urządzenia.
- Należy regularnie sprawdzać płomienie palników.
- Nie należy blokować otworów Venturiego na palnikach.
- Urządzenie należy użytkować wyłącznie w dobrze wentylowanych miejscach. NIGDY nie należy go użytkować w zamkniętych pomieszczeniach takich jak: wiatlach garażowych, garażach, na gankach, zamkniętych patio lub w dowolnych budowlach zadaszonych.
- Nie należy stosować węgla drzewnego ani brykietów ceramicznych w urządzeniu gazowym.
- **NIE NALEŻY** zakrywać rusztów folią aluminiową ani żadnym innym materiałem. Zablokuje to wentylację palnika i doprowadzi do powstania potencjalnie niebezpiecznych warunków mogących skutkować zniszczeniem mienia i/lub doznaniem uszczerbku na zdrowiu.
- **Urządzenie należy użytkować w odległości przynajmniej 1 m od dowolnej ściany lub powierzchni.** Należy zachować odstęp przynajmniej 3 m od przedmiotów, które mogą się zapalić albo od źródeł zapłonu takich jak płomyki dyżurne kotłów ogrzewania wody, podłączonych do zasilania urządzeń elektrycznych, itp.

- NIGDY nie należy próbować zapalać palnika przy zamkniętej pokrywie. Nagromadzenie niezapalającego gazu wewnątrz zamkniętego urządzenia stanowi zagrożenie.
- Należy zawsze zakręcać dopływ gazu do butli i odcinać regulator przed przemieszczeniem butli gazowej z określonego miejsca eksploatacji.
- Nigdy nie należy eksploatować urządzenia w przypadku, gdy butla gazowa znajduje się w pozycji innej od podanej pozycji prawidłowej.
- Nie należy modyfikować urządzenia. Przeprowadzanie jakichkolwiek modyfikacji jest bezwzględnie zabronione. Użytkownik nie może manipulować przy elementach uszczelnionych. Nie należy dokonywać demontażu iniektorów.

### WYMOGI DOTYCZĄCE REGULATORA

- Należy używać tylko regulatora dostarczonego przez producenta lub wymiennika, dostarczonego przez producenta.

### Wskazówki bezpieczeństwa

- W przypadku, gdy urządzenie nie jest użytkowane, należy zakręcić kurki sterujące oraz dopływ gazu.
- Aby uniknąć oparzeń oraz rozprysków należy korzystać ze sztućców do obsługi grilla na długim trzonku oraz rękawic ochronnych. Należy korzystać z rękawic ochronnych przy przemieszczaniu gorących elementów.
- Tacka przeznaczona do gromadzenia spływającego tłuszczu (jeśli znajduje się na wyposażeniu) musi być włożona do urządzenia i opróżniana po każdym użyciu. Tacki do tłuszczu nie należy wyjmować do momentu całkowitego schłodzenia urządzenia.
- Szczególną ostrożność należy zachować przy otwieraniu pokrywy, ponieważ może przy tym dojść do uwolnienia gorącej pary.
- Należy zachować szczególną ostrożność, gdy w pobliżu znajdują się dzieci, osoby starsze lub zwierzęta domowe.
- W przypadku zauważenia wycieku tłuszczu lub innej gorącej substancji z urządzenia na zawór, przewód lub regulator należy natychmiast wyłączyć zasilanie w gaz. Należy ustalić przyczynę, skorygować usterekę, wyczyścić oraz przeprowadzić kontrolę zaworu, przewodu i regulatora przed ponowną eksploatacją. Należy przeprowadzić badanie szczelności.

⚠
UWAGA
⚠

- Proszę zapoznać się z normami bezpieczeństwa, instrukcją montażu oraz użytkowania oraz wskazówkami dotyczącymi utrzymania i konserwacji przed próbą montażu i gotowania, a następnie stosować się do nich.
- Niektóre części mogą mieć ostre krawędzie. Zaleca się noszenie rękawic ochronnych.

### Zapalenie się tłuszczu

- Nie ma możliwości ugaszenia palącego się tłuszczu poprzez zamknięcie pokrywy. Grille są dobrze wentylowane ze względów bezpieczeństwa.
- Do gaszenia zapalonego tłuszczu nie należy używać wody, ponieważ może to doprowadzić do obrażeń ciała. W przypadku zapalenia się tłuszczu, który nie chce zgasnąć należy wyłączyć pokrętłami dopływ gazu do palników i oraz doprowadzenie z butli gazowej.
- W przypadku, gdy urządzenie nie jest czyszczone w sposób regularny, może dojść do zapalenia się tłuszczu, co z kolei może spowodować uszkodzenie wyrobu. W trakcie wstępnego nagrzewania lub zapalenia się resztek jedzenia należy bardzo uważać, aby nie dopuścić do zapalenia się tłuszczu. Aby zapobiec zapaleniu się tłuszczu należy stosować się do instrukcji dotyczących ogólnego czyszczenia urządzenia oraz czyszczenia palników.
- Najlepszym sposobem zapobiegania zapaleniu się tłuszczu jest regularne czyszczenie urządzenia.

### WKŁADY GAZOWE

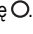

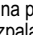
- Urządzenie musi być używane tylko z butan / propan wkładów jednorazowych gazowych z zaworem EN417, takich jak 230g CFH, Zapp 445g, 500g lub równoważny Colemana nie przekraczając 500g.
- Próby dopasowania innych rodzajów butli gazowych mogą być niebezpieczne.
- Zmien naboń z gazem na zewnątrz, z dala od ludzi. NIE NALEŻY rozłączać ani zmieniać pojemnika z gazem w odległości 3m od otwartego płomienia lub innych źródeł zapłonu lub innych osób.
- Przed dokonaniem wymiany należy sprawdzić, czy wkład gazowy jest pusty (należy potrząsnąć, aby sprawdzić, czy słychać dźwięk wydawany przez ciecz).
- Przed odłączeniem wkładu gazowego należy sprawdzić, czy palniki są wyłączone.
- Przed podłączeniem zbiornika z gazem należy sprawdzić, czy uszczelki są założone oraz czy są w dobrym stanie. Przed podłączeniem nowej butli gazowej do urządzenia należy sprawdzić uszczelki.
- Nie należy użytkować urządzenia w przypadku, gdy uszczelki są uszkodzone lub zużyte. Nie należy próbować naprawiać uszczelki. Należy zakupić nowe u producenta.
- Nie należy użytkować urządzenia, jeśli jest nieszczelne (przecieka), uszkodzone lub jeśli nie funkcjonuje ono w sposób prawidłowy.
- W przypadku wycieku z urządzenia (rozchodzący się zapach gazu) należy natychmiast przenieść je do dobrze wentylowanego miejsca, w którym nie ma otwartego ognia, gdzie można zbadać źródło wycieku i zatrzymać je. Jeśli ktoś chce wykryć wycieki w urządzeniu, należy robić to na otwartej przestrzeni. Nie należy próbować wykrywać wycieku przy pomocy płomienia, należy użyć wody z mydlinami.



-  Zawór zablokowany w pozycji OFF. Należy przekręcić do pozycji  w celu odblokowania.

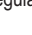
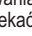
## Zapalenie przy pomocy zapalarki PRZECZYTAJ INSTRUKCJE PRZED ZAPALENIEM

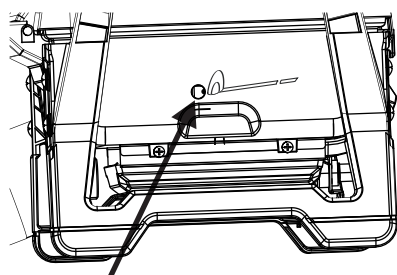
**NIE należy opierać się o urządzenie w trakcie jego zapalania.**

1. Przekręcić zawór sterowania palnika na pozycję .
2. Podłączyć wkład gazu LP.
3. **Otworzyć** pokrywę grilla.
4. Wcisnąć i przekręcić pokrętkę sterowania na pozycję .
5. Gwałtownie wcisnąć przycisk zapalnika.
6. Po zapaleniu się palnika należy przekręcić pokrętkę sterowania dożądanego ustawienia.
7. W przypadku, jeśli nie dojdzie do zapalenia w ciągu 5 sekund, pokrętkę sterowania należy przekręcić na pozycję , odczekać 5 minut i powtórzyć procedurę rozpalania.

**W przypadku, gdy nie dojdzie do zapalenia należy wykonać polecenia instrukcji dotyczącej rozpalania zapalką.**


## Zapalenie przy pomocy zapalki

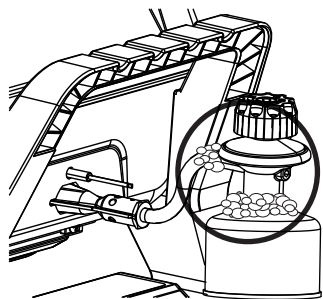
1. Przyłożyć zapaloną zapalkę do palnika. Przekręcić pokrętkę sterowania regulatorem na pozycję .
2. Jeśli w ciągu 5 sekund nie dojdzie do zapłonu, należy przekręcić pokrętkę sterowania regulatorem na pozycję , odczekać 5 minut i powtórzyć proces zapalania.



Otwór na zapalkę

**Badanie szczelności zaworów, przewodu i regulatora**  
Badanie szczelności przynajmniej raz w roku i przy każdej wymianie i dołączaniu wkładu.

1. **Ustawić pokrętkę sterowania urządzeniem na pozycję .**
2. Sprawdzić, czy regulator jest szczelnie połączony z wkładem gazowym.
3. W przypadku usłyszenia *odgłosów syku* bezzwłocznie usunąć butlę. W połączeniu występuje duża nieszczelność. **Usunąć usterkę przed ponownym przystąpieniem do czynności.**
4. Należy wetrzeć mydliny (roztwór utworzony z mydła i wody w proporcji 50:50) w połączenia z przewodem i miejsca zaznaczone poniżej.
5. Jeśli pojawi się *rosnąca bańka* oznacza to występowanie nieszczelności. Sprawdzić wkład pod kątem szczelności. Jeśli wyciek się utrzymuje należy wymienić wkład i spróbować ponownie. W przypadku, gdy nie da się zatamować nieszczelności nie należy podejmować próby jej naprawienia. Konieczność wymiany części.

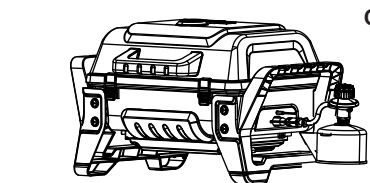
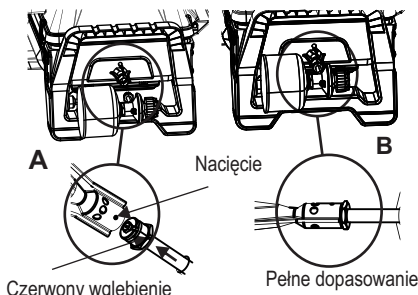


## Regulator/ Instalacja zaworu/ Usunięcie

1. Z pokrętkiem skierowaną do prawej wsunąć regulator/ zawór na koniec palnika (A)

**Nacięcie w regulatorze/ zaworze MUSI dopasować się do wgłębienia na końcu palnika.**

2. Po całkowitym dopasowaniu regulatora/ zaworu, regulator/ zawór należy przekręcić zgodnie z anty ruchu wskazówek zegara (B), aby ustawić go w pozycji z pokrętkiem skierowanym tak, jak pokazano (C).
3. W celu zdjęcia należy wykonać czynności w odwrotnej kolejności.



## OSTRZEŻENIE PRZED PAJĄKAMI!

PAJĄKI I PAJĘCZYNY  
WENWATRZ PALNIKA

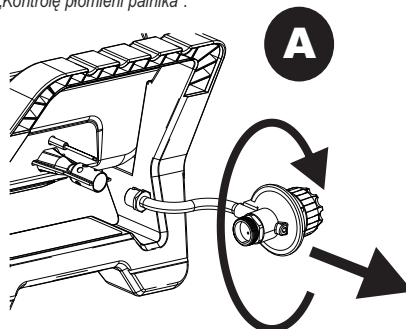


W przypadku, gdy zapalenie płomienia jest utrudnione lub jeśli płomień jest słaby należy wyczyścić otwory Venturiego i palnika.

Znane są przypadki, gdy problemy związane z „cofaniem się płomienia” spowodowane były przez gniazda i jaja składane przez pająki oraz niewielkie owady w otworach Venturiego oraz palniku, powodując blokadę przepływu gazu. Nagromadzony gaz może spowodować zapłon za palnikiem sterowniczym. „Cofanie się płomienia” tego typu może prowadzić do uszkodzenia grilla i spowodować obrażenia. Aby uniknąć „cofania się płomienia” oraz w celu zapewnienia prawidłowego działania, należy zdjąć zespół palnika i przewodu Venturiego i przeczyszczyć je za każdym razem po dłuższym okresie przestoju urządzenia.

## Czyszczenie zespołu palnika

1. **Wyłączyć gaz na pokrętkę sterowania regulatorem i odłączyć butlę z gazem.**
2. Zdjąć kratkę.
3. Zdjąć regulator z przewodu palnika (1) przekraczając regulator do czasu ustawienia pokrętki do prawej, a następnie (2) poprzez wyciągnięcie go na zewnątrz. Przedstawiono na Rys. A
4. Przetrzeć elektrodę ceramiczną alkoholem technicznym i szmatką. Wymyć zewnętrzną część palnika wodą z mydłem. Wsadzić wał ogrodowy (najlepiej z dyszą) do przewodu palnika, wymuszając przepływ wody przez przewód. Upewnić się, czy z każdego otworu wydobywa się woda. Przetkać zatłokane otwory cienkim drutem. **Pozwolić na całkowite wyschnięcie palnika i sprawdzić otwory.** Z uwagi na normalne zużycie i korozję niektóre otwory mogą ulec powiększeniu, a w takim przypadku należy wymienić palnik. W przypadku stwierdzenia pojawienia się jakichkolwiek pęknięć poziomych pomiędzy otworami lub większych otworów (innych niż systemowe), palnik należy wymienić.
5. W przypadku magazynowania grilla palnik należy pokryć cienką warstwą oleju spożywczego. Owinąć przykryciem ochronnym w celu niedopuszczenia owadów. W przypadku, gdy urządzenie nie jest magazynowane, należy wykonać następujące czynności.
6. Ponownie przyłączyć regulator.
7. Ponownie założyć kratkę.
8. Przed ponownym przygotowaniem potraw na grillu przeprowadzić „Badanie szczelności” oraz „Kontrolę płomienia palnika”.



## Przechowywanie urządzenia

- Należy wyczyścić ruszty.
- Należy przechowywać w suchym miejscu.
- Po podłączeniu butli gazowej do urządzenia, przechowywać w miejscu otwartym w miejscu dobrze wentylowanym oraz poza zasięgiem dzieci.
- W przypadku przechowywania na zewnątrz zakryć urządzenie.
- Urządzenie można przechowywać w pomieszczeniu zamkniętym TYLKO wówczas, gdy wkład gazowy jest odłączony, zdjęty z urządzenia i przechowywany na przestrzeni otwartej.
- Po usunięciu urządzenia z miejsca przechowywania sprawdzić je pod kątem blokady palników.

## Ogólne czyszczenie urządzenia

- Urządzenie należy czyścić często, najlepiej po każdym gotowaniu. W przypadku, gdy do czyszczenia jakichkolwiek powierzchni służących w urządzeniu do gotowania używa się szcztolki z włosiem należy sprawdzić, by na powierzchni do gotowania przed grillowaniem nie znajdowały się pozostałości włosia. Nie zaleca się czyszczenia powierzchni przeznaczonych do gotowania, gdy urządzenie jest gorące. Urządzenie należy czyścić przynajmniej raz w roku.
- Nie należy pomylić czarnego lub brązowego nagromadzonego tłuszczu albo dymu z farbą. Wnętrza grilli gazowych nie są malowane fabrycznie (**nie należy ich malować**). Należy użyć mocnego roztworu detergentu i wody albo środka do czyszczenia urządzenia i szcztolki do szorowania do wyszorowania wewnętrznych części pokrywy i dna urządzenia. Należy spłukać i zostawić do pełnego wyschnięcia na powietrzu. **Nie należy stosować żrących środków do czyszczenia urządzenia/ pieca na malowanych powierzchniach.**
- **Części z tworzyw sztucznych:** Należy wymyć wodą z mydłem i wytrzeć do sucha. Nie należy stosować kwasu cytrynowego (citrosol), żrących środków czyszczących, środków do odłuszczenia albo stężonych środków do czyszczenia urządzenia na elementach z tworzyw sztucznych. Może to doprowadzić do uszkodzeń i usterek elementów.
- **Powierzchnie porcelanowe:** Z uwagi na skład podobny do szta, większość pozostałości można z nich zmyć roztworem sody i wody lub środkiem czyszczącym o specjalnym składzie. W przypadku plam szczególnie trudnych do usunięcia, należy zastosować środek do szorowania, który nie ma właściwości rysujących.
- **Powierzchnie malowane:** Zmyć delikatnym detergentem albo środkiem czyszczącym nieposiadającym właściwości rysujących oraz ciepłą wodą z mydłem. Wytrzeć do sucha suchą, nierysującą szmatką.
- **Powierzchnie ze stali nierdzewnej:** Celem utrzymania ładnego wyglądu swojego urządzenia należy je łagodnym detergentem oraz ciepłą wodą z mydłem i wycierać do sucha po każdym użyciu. Złogi zapieczonego tłuszczu mogą wymagać użycia gąbki do czyszczenia z powierzchnią do szorowania z tworzywa sztucznego. Należy stosować w kierunku wypolerowanego wykończenia, aby uniknąć uszkodzenia. Nie należy używać szorstkiej gąbki w miejscach, w których są napisy.
- **Powierzchnie do gotowania:** W przypadku, gdy do czyszczenia jakichkolwiek powierzchni służących w urządzeniu do gotowania używa się szcztolki z włosiem należy sprawdzić, by na powierzchni do gotowania przed grillowaniem nie znajdowały się pozostałości włosia. Nie zaleca się czyszczenia powierzchni przeznaczonych do gotowania, gdy urządzenie jest gorące.



## JEŚLI URZĄDZENIE NIE ZAPALI SIĘ

Należy upewnić się, czy dopływ gazu we wkładzie jest włączony.  
Należy sprawdzić, czy we wkładzie jest gaz.

Czy zapłon wydaje dźwięk iskrenia?

Jeśli tak, należy sprawdzić iskrę w palniku. Jeśli nie ma iskry, należy sprawdzić, czy nie ma uszkodzonych czy poluzowanych przewodów. Jeśli przewody są w porządku, należy sprawdzić elektrody pod kątem pęknięć lub złamań i, w razie potrzeby, wymienić je. Jeśli przewód lub elektrody pokryte są pozostałościami jedzenia, czubek elektrody należy wyczyścić szmatką nasączoną alkoholem, jeżeli wystąpiła taka potrzeba. W razie potrzeby należy wymienić przewody.

W przypadku braku dźwięku, należy sprawdzić baterię. Należy sprawdzić, czy bateria jest poprawnie podłączona. Należy sprawdzić, czy połączenie przewodami nie poluzowało się i włączyć.

Jeśli zapłon nadal nie będzie działał, należy wówczas użyć zapalki.

Jeśli niniejsze urządzenie wymaga naprawy, prosimy o kontakt z dostawcą lub Kriswell A/S. Dane kontaktowe Kriswell A/A, znajdują się na stronie 40.

**ÁRÍÐANDI:** Lesið þessar notkunarleiðbeiningar vandlega og kynnið ykkur áður en það er tengt gashylkinu. Geymið þessar leiðbeiningar til uppsláttar.

**Notið einungis utandyra.**

Tækjaflokkur: gufuþrýstingsblanda af bútani og própani.

**SÁ SEM ANNAST UPPSETNINGU/SAMSETNINGU:** Hafðu þessa handbók hjá neytanda.

**NEYTANDI:**

Geymdu þessa handbók til uppsláttar.

**Spurningar:**

Hafðu samband við söluaðila á staðnum ef þú hefur einhverjar spurningar varðandi samsetningu eða notkun þessa tækis.

**HÆTTA**

Ef þú finnur lykt af gasi:

1. Stöðvaðu rennsli gass til tækisins.
2. Slökktu á opnum eld.
3. Opnaðu lok.
4. Ef að lyktin hverfur ekki skaltu halda þig fjarri tækinu og hringja samstundis í gassöluaðila þinn eða slökkvilið.

**HÆTTA**

1. Aldrei nota tækið eftirlitslaust.
2. Aldrei nota tækið innan 3 m frá byggingu, eldfimum efnunum eða öðrum gashylkjum.
3. Aldrei nota tækið innan 7,5 m frá eldfimum vökva.
4. Ef að eldur kemur upp skal halda tækinu fjarri honum og hringja samstundis á slökkvilið. Ekki reyna að slökkva á olíu- eða fitueldi með vatni.

Ef þessum leiðbeiningum er ekki fylgt getur það leitt til elds, sprengingar eða hættu á bruna sem gæti valdið eignatjóni, líkamstjóni eða dauða.

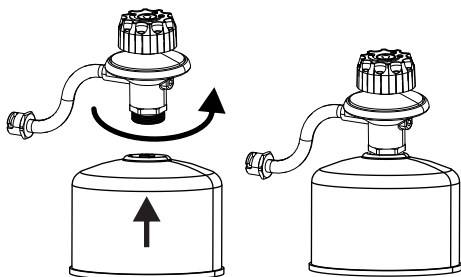
**TÆKNILEGAR UPPLÝSINGAR**

Gasnotkun: 2,8 kW (204 g/h)

Dælustærð: 0,80 mm

Gastegund: blanda af bútani og própani

**TENGING GASHYLKJA**



**AÐVÖRUN**

**Til öruggrar notkunar á tæki þínu og forðast alvarlegt líkamstjón:**

- NOTIÐ EINUNGIS UTANDYRA. NOTIÐ ALDREI INNANDYRA.
- Lestu leiðbeiningarnar áður en tækið er notað.
- **Ætíð skal fylgja leiðbeiningunum.**
- Ekki hreyfa tækið þegar það er í notkun.
- Aðgengilegir hlutar geta verið mjög heitir. Haldið ungunum börnum fjarri. Ekki leyfa börnum að nota eða leika sér nærri tækinu.
- Notið aðeins á traustum láréttum fleti.
- Þetta tæki verður að geyma fjarri eldfimum efnunum við notkun.
- Ekki stífla holur á hliðum eða aftan á tækinu.
- Skoðuðu reglulega loga brennara.
- Ekki stífla þrengslaop á brennara.
- Notið tækið einungis í vel loftræstu rými. ALDREI skal nota tækið í lokuðu rými á borð við bílskýli, bílskúr, dyrpalli, yfirbyggðri verönd eða undir yfirbyggingu af nokkurri tegund.
- Ekki nota kol eða keramiksmola í gastæki.
- EKKI hylja rist með álpappír eða öðru efni. Slíkt hindrar loftræstingu brennara og skapar hugsanlega hættulegar aðstæður sem stuðla að eignatjóni og/ eða líkamstjóni.
- Notaðu tækið í minnsta kosti eins metra fjarlægð frá vegg eða yfirborði. Viðhalda skal þriggja metra fjarlægð frá hlutu sem kviknað getur í eða kveikjugjöfum á borð við gaumljósum á vatnshiturum, raftæki sem eru í gangi, o.s.frv.

- ALDREI skal reyna að kveikja á brennara með lokið á. Uppbygging gass inni í lokuðu tæki er hættuleg.
- Slökktu ávallt á gashylki og taktu þrýstijafnara úr sambandi áður en gashylkið er fært úr stað úr tilgreindri notkunarstöðu.
- Aldrei nota tækið þegar gashylkið er ekki í rétttri tilgreindri stöðu.
- Ekki breyta tækinu. Allar breytingar eru stranglega bannaðar. Notandinn skal ekki handleika þéttlokaða hluta. Ekki taka innspautunarloka með dælu í sundur.

**Öryggisábeiningar**

- Þegar tækið er ekki í notkun skal slökkva á öllum hnöppum og gasi.
- Notaðu grilláhöld með löngum handföngum og ofnhanska til að forðast bruna og skvettur. Notaðu hlífðarhanska þegar heitir íhlutir eru meðhöndlaðir.
- Fitubakkann (ef fylgir) verður að vera settur inn í tækið og tæmdur eftir hverja notkun. Ekki fjarlægja fitubakkann þar til tækið hefur að fullu kólnað.
- Farðu varlega þegar þú opnar lokið þar sem heit gufa getur komið út.
- Farðu varlega þegar börn, aldraðir einstaklingar eru gæludýr eru nærri.
- Ef þú tekur eftir að fita eða annað heitt efni lekur úr tækinu á lokann, slönguna eða loftstúttinn skaltu slökkva samstundis á gasinu. Ákvarðaðu orsökina, leiðréttu það, þrífðu síðan og skoðuðu lokann, slönguna og loftstúttinn áður en lengra er haldið. Framkvæmdu lekaprófun.

**VARÚÐ**

- Lestu og fylgdu öllum öryggisfyrirlysingum, samsetningarleiðbeiningum og notkunar- og viðhaldsleiðbeiningum áður en tækið er sett saman og eldað er á því.
- Sumir hlutir geta verið oddhvassir. Ráðlagt er að gengið sé með hlífðarhanska

**Eldur vegna fitu**

- Ekki er hægt að slökkva í eldi vegna fitu með því að loka lokinu. Grill eru vel loftræst sökum öryggisástæðna.
- Ekki nota vatn á eld vegna fitu, slíkt getur leitt til líkamstjóns. Ef að viðvarandi eldur vegna fitu myndast skal snúa hnöppum og slökkva á gashylki.
- Ef tækið hefur ekki reglulega verið þrifið getur eldur vegna fitu átt sér stað sem getur skemmt vöruna. Hafðu varann á viðforhitun eða þegar matarleifar eru brenndar upp til að tryggja að eldur vegna fitu myndist ekki. Fylgdu leiðbeiningum er varða almenn þrif á tækinu og þrif á brennara til að koma í veg fyrir eld vegna fitu.
- Besta leiðin til að hindra eld vegna fitu er að þrifa tækið reglulega.

**GASHYLKI**

- Þetta tæki skal aðeins nota með bútani / própan einnota gas skothylki með að EN417 loki eins og CFH 230g, Zapp 445g, Coleman 500g eða sambærilegt, án þess að fara 500G.
- Það gæti reynst hættulegt að reyna að nota aðrar tegundir gashylkja.
- Breyttu gas skothylki úti og burtu frá fólki. EKKI aftengja eða skipta um gasílát innan þriggja metra frá opnum eldi eða öðrum kveikjugjafa eða öðru fólki.
- Tryggið að gashylkið sé tómt áður en skipt er um það (hristið það til að heyra hljóðið sem vökvinn gefur frá sér).
- Tryggið að siökkt sé á brennurum áður en gashylkið er aftengt.
- Tryggið að þéttlokaðir hlutir séu á sínum stað og í góðu lagi áður en gasílátið er tengt. skoðið innisiglin áður en nýtt gashylki er tengt við tækið.
- Ekki nota tækið ef það hefur skemmda eða slitna þéttlokaða hluti. Ekki reyna að gera við þéttlokaða hluti. Sækið nýja íhluti frá framleiðandanum.
- Ekki nota tæki sem lekur, er skemmt eða virkar ekki sem skildi.
- Ef leki á sér stað (gaslykt finnst) skal fara með það samstundis út á vel loftræst og eldlausan stað þar sem bera má kennsl á lekann og stöðva hann. Ef kanna á leka í tæki skal gera slíkt utandyra. Reynið ekki að finna leka með því að nota loga, notaðu sápuvatn.

**KRÖFUR ÞRÝSTIJAFNARA**

- Notið aðeins þrýstijafnara sem fylgir þessara vöru eða íhlut til endurnýjunar sem framleiðandinn veitir.

Prýstjafnari læstur í OFF stöðu. Snúðu í ○ til að aflæsa.

## Kveikibúnaður

### LESIÐ LEIÐBEINGARNAR ÁÐUR EN KVEIKT ER UPP Í GRILLINU.

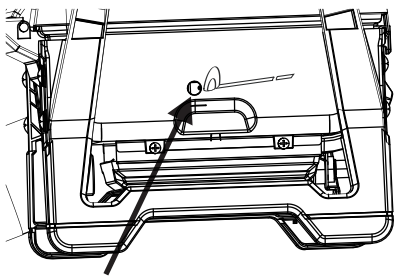
EKKI ykkur yfir tækið þegar kveikt er á því.

1. Snúðu stjórnloka gasbrennara á ○.
2. Tengjið LP gashylki.
3. Opnið lok grillsins.
4. Þrýstið og snúðið stjórnhnappinum á 🔥 stöðu.
5. Þrýstu kveikjuhnappinum inn á skjótan máta.
6. Þegar kveikt hefur verið á brennarannum skal snúa stjórnhnappinum á þá stillingu sem kosin er.
7. Ef EKKI kviknar á grillinu innan 5 sekúnda skal snúa brennarahnappi á ○, bíða í 5 mínútur og endurtaka kveikiferlið.

Ef ekki kviknar á grillinu skal fylgja leiðbeiningum hvernig kveikt er með eldspýtum.

### Kveikja með eldspýtum

1. Settu eldspýtu sem kveikt er á við brennarann. Snúðu stjórtakkanum í 🔥.
2. Ef EKKI kviknar á grillinu innan 5 sekúnda skal snúa stjórtakka á ○, bíða í 5 mínútur og endurtaka kveikiferlið.

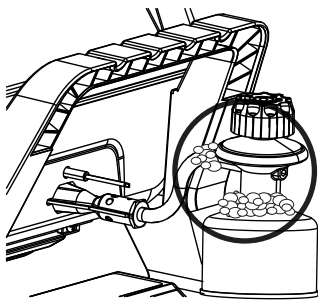


Gat fyrir eldspýtu

### Lekaprófuna, rörogprýstjafnara

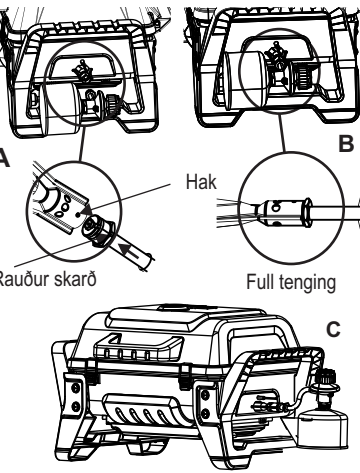
Framkvæmiðlekaprófunaðminnstakostiárlega og íhvertsinnsemskipturumhlykieðaðaðer aftengt.

1. Snúðið öllum hnöppum tæksins á ○.
2. Tryggið að þrýstjafnarin sé tengdur þétt við gashylkið.
3. Ef þú heyrir gashljóð skaltu fjarlægja hylkið samstundis. Upp hefur komið alvarlegur leki við tenginguna. **Leiðréttu áður en lengra er haldið.**
4. Burstið með sápuþöndu (helming af sápu, helming af vatni) á slöngutengin og svæðin sem eru inni í hringnum að neðan.
5. Ef vaxandi loftbólur myndast er leki. Skoðið þéttleika hylkis. Ef leki heldur áfram skal skipta um hylki og reyna að nýju. Ef ekki er hægt að stöðva leka skal ekki reyna viðgerð. Pantíð varahluti.



### Loftstútur/Uppsetning loka/fjarlæging

1. Þegar takinn snýr til hægri stingurðu loftstútnum/lokanum inn í endann á brennarannum (A). **Hak í loftstútu/loka SKAL tengjast skarði í enda brennarans.**
2. Þegar loftstúturinn/lokin hefur tengst brennarannum að fullu skal snúa loftstútnum/lokanum snúa rangsælis (B) til að læsa staðsetninguna þannig að takinn snúi eins og sýnt er ○.
3. Til að fjarlægja andstæð skref.



## VARÚÐ

### KÖNGULÓAR-VIDVÖRUN!

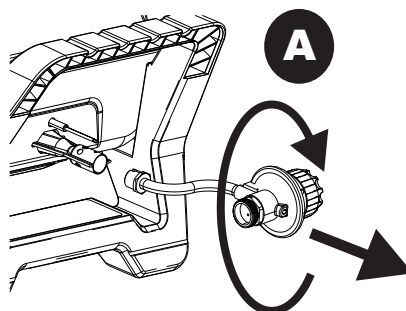
KÖNGULÆR OG VEFIR INNI Í BRENNARA

Ef erfitt er orðið að kveikja á grillinu þína eða loginn er lítil skaltu skoða og hreinsa þrengslin og brennarana.

Það er þekkt vandamál að köngulær eða lítil skordýr búa til hreiður og verpa eggjum í þrengslum grillsins eða brennara og hindra því gasflæðið. Kviknað getur í hinu uppsafnaða gas fyrir aftan stjórnbórðið. Slíkt getur skemmt grillið þitt og valdið tjóni. Til að hamla að þetta gerist og tryggja góð afköst ætti að fjarlægja og hreinsa brennarann og þrengslarörið þegar grillið hefur ekki verið notað í ákveðinn tíma.

### Þrif á brennarannum

1. Slökktu með stjórtakkanum og aftengdu gashylkið.
2. Fjarlægðu eldunargrindina.
3. Fjarlægðu loftstútin frá brennararörinu með því að (1) snúa takkanum þar til hann snýr til hægri og síðan (2) toga út. Sýnd á **Mynd A**
4. Þurrkaðu keramikrafskaut með hreinsunarkóhóli og klút. Þrifðu ytra yfirborð brennarans með sápu og vatni. Settu garðslöngu (helst með túðu) inn í brennararör þannig að vatnið þrýstist í gegnum rörið. Trygðu að vatn komi út um öll göt. Hreinsaðu stífluð göt með þunnum vir. **Leyfðu brennara að þorna vel** og skoðuðu götin. Sökum hefðbundins slits og tæringar kunna sum göt að stækka, ef slíkt gerist skal skipta um brennara. Ef að láréttar sprungur myndast á milli gata eða stór göt (önnur en þessi hefðbundnu) skal skipta um brennara.
5. Ef geyma á grillið skal þekja brennarann með öriltilli matarolíu. Sveiptu með verndarhlíf til að halda skordýrum fjarri. Ef grillið fer ekki í geymslu skal fylgja eftirfarandi skrefum.
6. Festa loftstút aftur á.
7. Skipta um eldunargrind.
8. Áður en eldað er að nýju á grillinu skal framkvæma „Lekapröfun“ og „Pröfun á loga brennara“.



## Geymsla á tæki þínu

- Þrifðu eldunargrindur.
- Geymdu á þurrum stað.
- Þegar gashylki er tengt grillinu skal geyma það utandyra á vel loftræstum stað og þar sem börn ná ekki til.
- Breiddu yfir grillið ef það er geymt utandyra.
- ADEINS skal geyma grillið innandyra ef gashylkið er aftengt, fjarlægð frá grillinu og geymt utandyra.
- Þegar grillið er tekið úr geymslu skal kanna hvort einhverjar stíflur séu í brennara.

## Almenn þrif á grilli

- Þrifðu grillið oft, helst eftir hverja máltíð. Ef að bursti er notaður til að þrifa einhverja af eldunarflötum grillsins skal tryggja að ekkert úr burstanum verðir eftir á yfirborðinu áður en grillað er að nýju. Ekki er mælt með að grillið sé þrifið á meðan það er enn heitt. Tæki ætti að þrifa að minnsta kosti einu sinni á ári.
- Ekki ruglast brúnni og eða svartri samansöfnun á fitu og reyk og halda að hún sé málning. Innri byrði gasgrilla er ekki málað í verksmiðjunni (**slíkt ætti aldrei að gera**). Notaðu sterka blöndu af hreinsiefni og vatni eða tiltekið hreinsiefni með burstu á innra byrði loksins og undir. Skolaðu og gefðu tíma til að þorna að fullu. **Ekki nota ætiefni/ofnhreinsi á málaða fleti.**
- **Plasthlutar:** Þvoðu með volgu sápuvatni og þurrkaðu. Ekki nota citrisol, fægilög, fituleysi eða óblönduð hreinsiefni á plasthluta. Slíkt getur leitt til tjóns og bilun á hlutum.
- **Postulínsfletir:** Sökum svipaðrar samsetningar og glers má þurrka flestar leifar burt með blöndu og matarsóða og vatni eða sérstökum hreinsiefnum. Notaðu ræstiduft sem er ekki svarfandi á erfiða bletti
- **Málaðir fletir:** Þvoðu með mildu hreinsiefni eða efni sem er ekki svarfandi og volgu sápuvatni. Þurrkaðu með mjúkum klút.
- **Fletir úr ryðfriú stáli:** Til að viðhalda hágæða útliti tækis þins skaltu þvo það með mildu hreinsiefni og volgu sápuvatni og þurrka með mjúkum klút eftir hverja notkun. Fastir fitublettir gætu krafist notkunar svarfandi hreinsipúða úr plasti. Þvoðu einungis í þátt átt sem áferðin liggur til að forðast skemmdir. Ekki nota svarfandi púða á svæði með myndum eða letri.
- **Eldunarfletir:** Ef að bursti er notaður til að þrifa einhverja af eldunarflötum grillsins skal tryggja að ekkert úr burstanum verðir eftir á yfirborðinu áður en grillað er að nýju. Ekki er mælt með að eldunarfletir séu þrífir á meðan grillið er enn heitt.

## EF EKKI KVIKNAR Á GRILLINU

Tryggið að kveikt sé á gasinu á hylkinu. Tryggið að það sé gas í hylkinu.

Kemur neistahljóð frá kveikinum?

Ef svo er skaltu kanna hvort neisti myndist við brennara. Ef svo er ekki skaltu kanna hvort skemmdir séu eða lausir vírar. Ef vírar eru í lagi skaltu kanna hvort rafskaut sé brotið eða bilað, endurnýjaðu ef með þarf. Ef vírar eru rafskaut eru úttötuð í eldunarleifum skal þrifa rafskautsendann með þurrku með vínanda ef nauðsynlegt er. Ef nauðsynlegt er skal skipta um víra.

Ef ekkert hljóð er skal kanna rafhlöður. Trygðu að rafhlaða sé rétt komið fyrir. Kannaðu hvort laus víratengi séu á einingu eða rofa.

Ef kveikir heldur áfram að virka ekki skaltu nota eldspýtu.

Ef gera það fyrir þetta tæki skal hafa samband við birgðasala þinn eða Kriswell A/S. Sjá samskiptaupplýsingar Kriswell A/A á blaðsíðu 40.

**IMPORTANT: Citiți cu atenție aceste instrucțiuni de utilizare pentru a vă familiariza cu aparatul înainte de conectarea acestuia la butelia cu gaz. Păstrați instrucțiunile pentru informații ulterioare. A se utiliza numai în aer liber.**

Categorie aparat: presiunea vaporilor a unui amestec de butan și propan.

### INSTALATOR/MONTATOR:

Lăsați prezentul manual la consumator.



### CONSUMATOR:

Păstrați prezentul manual pentru informații viitoare.

### Întrebări:

Dacă aveți întrebări în timpul montării sau utilizării acestui aparat, contactați distribuitorul dv. local.

	<b>PERICOL</b>	
<p>Dacă simțiți miros de gaz:</p> <ol style="list-style-type: none"> <li>1. Închideți gazul către aparat</li> <li>2. Stingeți orice foc deschis</li> <li>3. Deschideți capacul</li> <li>4. Dacă mirosul continuă, îndepărtați-vă de aparat și chemați imediat furnizorul de gaze sau departamentul pompieri</li> </ol>		

	<b>PERICOL</b>	
<ol style="list-style-type: none"> <li>1. Nu puneți niciodată aparatul în funcțiune neasistați.</li> <li>2. Nu acționați aparatul la mai puțin de 3 m de orice structura, material inflamabil sau alte butelii sau cartușe cu gaz.</li> <li>3. Nu acționați aparatul la mai puțin de 7,5 m de orice lichid inflamabil.</li> <li>4. Dacă ar izbucni un incendiu, îndepărtați-vă de aparat și imediat chemați departamentul pompieri. Nu încercați să stingeți cu apă un incendiu provocat de ulei sau grăsime.</li> </ol> <p>Nerespectarea acestor instrucțiuni poate genera incendiu, explozie sau risc de ardere, ceea ce ar produce daune ale proprietății, vătămări personale sau moartea.</p>		

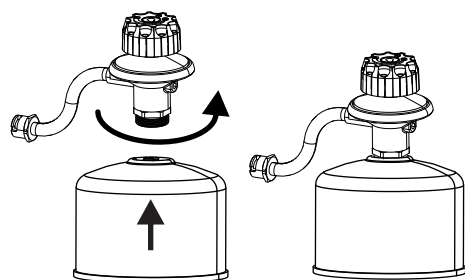
### DATE TEHNICE



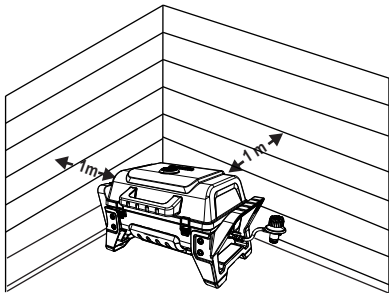
Consum de gaz: 2,8 kW (204 g/h)

Dimensiune Injector: 0,80 mm

Tip gaz: amestec de butan și propan

### CONECTAREA CARTUȘELOR CU GAZ



	<b>AVERTISMENT</b>	
<p><b>Pentru Utilizarea Sigură a Aparatului Dumneavoastră și pentru Evitarea Vătămării Grave:</b></p> <ul style="list-style-type: none"> <li>• <b>A SE UTILIZA NUMAI ÎN AER LIBER. NICIODATĂ ÎN INTERIOR.</b></li> <li>• Citiți instrucțiunile înainte de folosirea aparatului. Urmați întotdeauna aceste instrucțiuni.</li> <li>• Nu mișcați aparatul în timpul utilizării</li> <li>• Părțile accesibile pot fi foarte fierbinți. Nu lăsați copiii în preajma aparatului. Nu lăsați copiii să acționeze sau să se joace lângă aparat.</li> <li>• A se întrebuința numai pe suprafețe orizontale fixe.</li> <li>• Prezentul aparat trebuie ținut departe de materialele inflamabile în timpul utilizării.</li> <li>• Nu blocați orificiile laterale și din spatele aparatului.</li> <li>• Verificați în mod regulat flăcările arzătorului.</li> <li>• Nu blocați deschiderile tubului venturi înspre arzător.</li> <li>• Folosiți aparatul numai în spații ventilate. NU utilizați aparatul în spații închise precum șoproan, garaj, terasă, curte interioară acoperită sau sub o structură etajată de orice fel.</li> <li>• Nu folosiți brichete de cărbuni sau ceramice la un aparat pe gaz.</li> <li>• NU acoperiți ochiurile cu folie de aluminiu sau oricare alt material. Aceasta va bloca ventilarea arzătorului și va crea o condiție potențial periculoasă ce va avea drept urmare deteriorarea proprietății și/sau vătămarea persoanelor.</li> <li>• <b>Utilizați aparatul la cel puțin 1 m de orice perete sau suprafață.</b> Păstrați o distanță de 3 m față de obiectele care pot lua foc sau de surse de aprindere precum becul de control al boilerului, aparate electrice sub tensiune, etc.</li> </ul>		
		
<ul style="list-style-type: none"> <li>• NU încercați NICIODATĂ să aprindeți arzătorul cu capacul închis. O acumulare de gaz neaprinș înăuntrul unui aparat închis este periculos.</li> <li>• Întotdeauna închideți gazul de la butelie și deconectați regulatorul înainte de mișcarea buteliei de gaz din poziția de funcționare specificată.</li> <li>• Nu folosiți aparatul cu butelia de gaz incorect poziționată conform specificației.</li> <li>• Nu modificați aparatul. Orice modificări sunt strict interzise. Părțile sigilate nu trebuie manipulate de utilizator. Nu demontați injectorii.</li> </ul>		

### CERINȚELE REGULATORULUI

- Utilizați numai regulatorul furnizat odată cu produsul sau un înlocuitor furnizat de către producător.

### Sfaturi privind siguranța

- Când aparatul nu este în uz, închideți toate butoanele de control și gazul.
- Utilizați ustensile de barbecue cu mânere lungi și mănuși pentru cuptor pentru a evita arsurile și pătrata. Folosiți mănuși de protecție când manipulați componente fierbinți.
- Tava pentru grăsime (dacă există) trebuie să fie introdusă în aparat și golită după fiecare utilizare. Nu îndepărtați tava pentru grăsime până când aparatul nu este răcit complet.
- Aveți grijă când deschideți capacul, aburul fierbinte se poate degaja.
- Aveți grijă când sunt copii, bătrâni sau animale prin preajmă.
- Dacă observați grăsime sau alt material încins scurgându-se din aparat pe supapă, furtun sau regulator, închideți alimentarea cu gaz imediat. Găsiți cauza, corectați-o, apoi curățați și inspectați valva, furtunul și regulatorul înainte de a continua gătitul. Efectuați un test de scurgere.

	<b>ATENȚIUNE</b>	
---	------------------	---

- Citiți și urmați toate specificațiile de siguranță, instrucțiunile de asamblare și indicațiile de utilizare și întreținere înainte de a încerca să montați și să gătiți.
- Anumite părți pot avea margini ascuțite. Este recomandată purtarea mănușilor de protecție.

### Incendii provocate de grăsime

- Stingerea incendiilor provocate de grăsimi prin închiderea capacului nu este posibilă. Grătarele sunt bine aerisite din motive de siguranță.
- Nu folosiți apă peste incendiul provocat de grăsimi. Vă puteți vătăma. Dacă incendiul provocat de grăsime se amplifică, închideți butoanele izolatoare și butelia.
- Dacă aparatul nu a fost curățat în mod regulat, se poate produce un incendiu provocat de grăsimi, deteriorând produsul. Acordați atenție sporită când preîncălziți sau ardeți reziduurile de mâncare pentru a asigura că nu se poate produce un incendiu de la grăsimi. Urmați instrucțiunile privind Curățarea Generală a Aparatului și Curățarea Ansamblului de Ardere pentru prevenirea incendiilor de la grăsimi.
- Curățarea regulată a aparatului este cea mai bună cale pentru prevenirea incendiilor de la grăsimi.



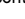
### CARTUȘE CU GAZ

- Acest aparat poate fi folosit numai cu butan / propan buteliile de gaz disponibil cu o supapă EN417, cum ar fi 230g CFH, Zapp 445g, 500g Coleman sau echivalent, fără a depăși 500g.
- Încercarea de a utiliza aparatul cu alte tipuri de butelii de gaz poate fi periculoasă.
- Modificarea cartușului de gaz în afara și departe de oameni. NU deconectați sau schimbați rezervorul de gaz la mai puțin de 3 m de o flacără aprinsă sau altă sursă inflamabilă sau alte persoane.
- Verificați ca butelia de gaz să fie goală înainte de a o schimba (agitați-o pentru a auzi zgomotul de lichid).
- Verificați ca arzătoarele să fie stinse înainte de a deconecta cartușul de gaz.
- Verificați că sigilele sunt la locul lor și în stare bună înainte de conectarea rezervorului de gaz. Verificați sigiliile înainte de conectarea la aparat a unei noi butelii de gaz.
- Nu utilizați aparatul dacă sigilele sunt deteriorate sau uzate. Nu încercați să reparați sigilele. Procurați-vă piese noi de la producător.
- Nu utilizați un aparat care prezintă scurgeri, sau este deteriorat sau care nu funcționează în mod corect.
- Dacă aparatul dumneavoastră prezintă o scurgere (miroase a gaz), scoateți-l imediat într-o zonă ventilată, fără pericol de inflamare, unde puteți detecta și stopa scurgerea. Dacă doriți să verificați aparatul de scurgeri de gaz, acest lucru trebuie să îl faceți în exterior. Nu încercați să detectați scurgerile de gaz utilizând o flacără, ci cu o soluție de apă cu săpun.

 Regulatorul este blocat în poziția OFF. Răsuciți spre  pentru a-l debloca.



## Aprinderea Ignitorului CITIȚI INSTRUCȚIUNILE ÎNAINTE DE APRINDERE

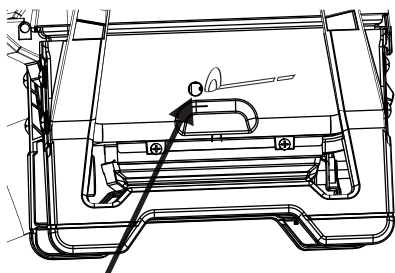
**NU vă aplecați deasupra aparatului când îl aprindeți.**

1. Răsuciți robinetul de control al arzătorului de gaz către .
2. Conectați cartușul de gaz LP.
3. **Deschideți** capacul grătarului.
4. Apărați și răsuciți butonul de control în poziția .
5. Apăsăți rapid butonul ignitor.
6. După ce arzătorul s-a aprins, răsuciți butonul de control în starea dorită.
7. Dacă nu se aprinde în 5 secunde, răsuciți butonul de control al arzătorului către , așteptați 5 minute și repetați procedura de aprindere.

**Dacă aprinderea tot nu se produce, urmați instrucțiunile de aprindere cu chibritul.**

### Aprinderea chibritului


1. Puneți chibritul aprins lângă arzător. Răsuciți butonul regulator de control spre .
2. Dacă aprinderea NU se produce în 5 secunde, răsuciți butonul regulator de control spre , așteptați 5 minute și repetați procedura de aprindere.

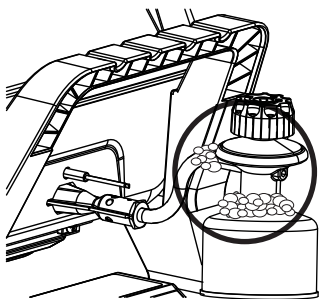


Orificii de Aprindere  
cu Chibritul

### Testarea Scurgerilor la Robineți, Tub și Regulator

Testați scurgerile cel puțin o dată pe an și ori de câte ori schimbați sau deconectați cartușul de gaz.

1. **Răsuciți robinetii de control ai aparatului către .**
2. Asigurați-vă că cartușul de gaz este conectat fest la regulator.
3. Dacă auziți un *zgomot ca de rafală*, îndepărtați imediat cartușul. Indică o scurgere semnificativă la îmbinare. **Corectați înainte de a continua.**
4. Aplicați cu peria o soluție cu săpun (un amestec de jumătate săpun și jumătate apă) pe îmbinările furtunului și zonele încercuite inferioare.
5. Dacă apar *bășici*, există o scurgere. Verificați etanșeitatea cartușului de gaz. Dacă scurgerea este continuă, înlocuiți cartușul și încercați din nou. Dacă scurgerea nu poate fi oprită, nu încercați să o reparați. Solicitați piese de schimb.

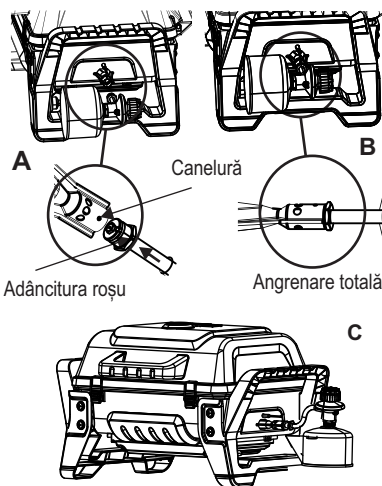


### Regulator/Instalare Supapei/Înlocuire

1. Cu butonul indicând spre în la dreapta, introduceți Regulatorul/Supapa în capătul arzătorului (A)

**Canelura din Regulator/Supapă TREBUIE să angreneze adâncitura de la capătul arzătorului.**

2. Odată ce Regulatorul/Supapa a cuplat total arzătorul, răsuciți Regulatorul/Supapa în invers acelor de ceasornic (B) în poziția în care butonul arată ca în imaginea (C).
3. Pentru a demonta, urmați indicațiile înapoi.



## ATENȚIE LA PĂIANJENI!

**PĂIANJENI ȘI PÂNJE DE PĂIANJEN  
ÎNĂUNTRUL ARZĂTORULUI**

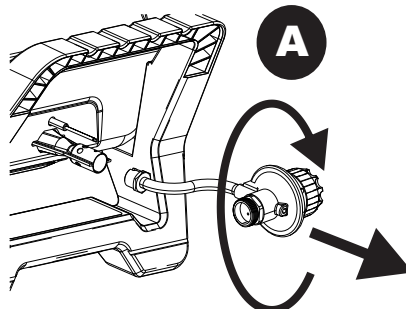


Dacă aparatul barbeque se aprinde greu sau făcarea este slabă, verificați și curățați tubul venturis și arzătoarele.

Păianjenii sau insectele mici sunt cunoscute pentru crearea problemelor de „retur al flăcării” pentru că își construiesc cuiburi și depun ouă în tuburile venturii ale barbeque sau arzătorului, obținând debitul gazului. Gazul împins înapoi se poate aprinde în spatele panoului de control. Acest retur al flăcării poate deteriora aparatul și produce vătămări. Pentru prevenirea retururilor și pentru asigurarea unei funcționări bune, ansamblul arzătorului și al tubul venturii trebuie îndepărtat și curățat ori de câte ori aparatul barbeque a stat nefolosit o perioadă îndelungată de timp.

### Curățarea Ansamblului Arzătorului

1. Oprii gazul din butonul de control și deconectați butelia de gaz.
2. Îndepărtați grătarul de gătit.
3. Îndepărtați regulatorul de la tubul arzătorului (1) rotind regulatorul până când butonul este la dreapta și apoi (2) îl trageți spre exterior. **Fig. A.**
4. Ștergeți electrozul ceramic un material imbat în alcool. Curățați arzătorul exterior cu săpun și apă. Introduceți furtunul de grădină (preferabil cu duză) în tubul arzătorului forțând apa prin furtun. Asigurați-vă că apa trece prin fiecare orificiu. **Destupați orificiile înfundate** cu ajutorul unei sârme subțiri. Permiteți uscarea arzătorului și examinați orificiile. Datorită uzurii anumite orificii se pot lărgi. Dacă se întâmplă așa, vă rugăm să le înlocuiți. Dacă apar fisuri orizontale (altele decât orificiile), înlocuiți arzătorul.
5. Dacă grătarul trebuie să fie depozitat, acoperiți ușor arzătorul cu ulei de gătit. Acoperiți grătarul pentru a-l proteja împotriva insectelor. Dacă nu trebuie depozitat, utilizați următoarele măsuri.
6. Reatașați regulatorul.
7. Înlocuiți grătarul de gătit.
8. Înainte de a găti din nou, efectuați un „Test de Scurgere” și „Verificarea Flăcării Arzătorului”.



### Depozitarea aparatului dv.

- Curățați grătarele de gătit
- Depozitați într-un loc uscat
- Când cartușul de gaz este conectat la aparat, depozitați aparatul în exterior, într-un spațiu bine ventilat și departe de accesul copiilor.
- Acoperiți aparatul dacă îl depozitați în exterior.
- Depozitați aparatul în interior NUMAI dacă cartușul de gaz este deconectat, îndepărtat de aparat și depozitat în exterior.
- Când mutați aparatul din locul de depozitare, verificați obstrucționarea arzătorului.

### Curățarea Generală a aparatului

- Curățați aparatul des, de preferat după fiecare picnic. Dacă folosiți o perie din păr de porc pentru curățarea oricărei suprafețe a aparatului de gătit, asigurați-vă să nu rămână fire de păr pe suprafețele de gătit înainte de utilizarea grătarului. Nu se recomandă curățarea suprafeței de gătit când aparatul este fierbinte. Aparatul trebuie curățat cel puțin o dată pe an.
- Nu confundați acumulările maron sau negre de grăsime sau fum cu vopsea. Interioarele grătarelor pe gaz nu sunt vopsite din fabrică (**și nu trebuie să fie vopsite niciodată**). Aplicați o soluție puternică de detergent și apă și folosiți un curățător cu ajutorul unei perii de frecat pentru părțile interioare ale aparatului, capac și a bază. Limpeziți și permiteți să se usuce total la aer. **Nu aplicați sodă caustică pe suprafețele vopsite.**
- **Părțile de plastic** se spală cu apă și săpun și se șterg cu o cârpă. Nu utilizați solvenți de tipul Citrisol, curățători abrazivi, degresanților sau a soluțiilor de curățare concentrate pe piesele din plastic. Pot apărea deteriorări și avarieri ale pieselor.
- **Suprafețele de porțelan:** datorită compoziției pe bază de sticlă, majoritatea reziduurilor pot fi îndepărtate cu o soluție de bicarbonat de sodiu și apă sau cu un curățător special preparat. Utilizați pudră de frecat neabrazivă pentru petele dure.
- **Suprafețele vopsite:** Spălați cu detergent blând sau cremă neabrazivă și apă caldă cu săpun. Ștergeți cu o pânză moale neabrazivă.
- **Suprafețele din oțel:** pentru întreținerea aspectului de o calitate ridicată a aparatului dv., spălați cu un detergent blând și apă caldă cu săpun și ștergeți cu o pânză moale după fiecare utilizare. Depunerile de grăsime arsă pot necesita utilizarea unui burete de plastic abraziv. Utilizați numai în direcția periajului finisării pentru a evita deteriorarea. Nu folosiți bureți abrazivi pe zonele cu diame.
- **Suprafețele de gătit:** Dacă se folosește o perie din păr de porc pentru curățarea oricăror suprafețe ale aparatului de gătit, asigurați-vă că niciun fir de păr nu rămâne pe suprafețele de gătit înainte de a folosi grătarul. Nu se recomandă curățarea suprafețelor de gătit cât timp aparatul este fierbinte.

### DACĂ APARATUL NU SE APRINDE

Asigurați-vă că gazul este pornit din cartuș.  
Asigurați-vă că există gaz în cartuș.

Auziți un zgomot de descărcare de la ignitor?

Dacă da, verificați scâteia la arzător.  
Dacă nu există scâteie, controlați cablurile deteriorate sau detașate.  
Dacă firele sunt bine, controlați dacă electrozul este crăpat sau spart și înlocuiți-l dacă este nevoie.  
Dacă firele sau electrozii sunt acoperiți cu reziduuri de la gătit, curățați capătul electrozului cu alcool dacă este necesar.  
Dacă este necesar, înlocuiți cablurile.

Dacă nu se aude niciun sunet, verificați bateria.  
Asigurați-vă că bateria este instalată corect.  
Controlați cablurile neconectate la modul și întrerupător.

Dacă ignitorul continuă să nu funcționeze, atunci folosiți chibritul.

Dacă aparatul necesită reparație, contactați fie furnizorul dumneavoastră, fie firma Kriswell A/S. Datele de contact ale Kriswell A/S le găsiți la pagina 40.

**DŮLEŽITÉ:** Tyto pokyny pro používání si přečtete pozorně a seznamte se s přístrojem před tím, než jej připojíte k zásobníku plynu. Uchovejte tyto instrukce pro pozdější nahlédnutí.

**Používejte pouze ve venkovním prostředí**

Kategorie zařízení: směs stlačeného propan-butanu.

### PRO INSTALATÉRA/MONTÉRA:

Tuto příručku ponechtejte spotřebiteli.

### PRO SPOTŘEBITELE:

Uchovejte tuto příručku pro pozdější nahlédnutí.

#### Otázky:

Pokud budete mít během sestavení nebo v průběhu používání tohoto spotřebiče jakékoliv otázky, spojte se se svým místním prodejcem.

**NEBEZPEČÍ**

**Pokud ucítíte plyn:**

1. Zavřete přívod plynu do spotřebiče.
2. Uhasťte jakýkoliv otevřený oheň.
3. Otevřete poklop.
4. Pokud zápach cítíte i nadále, nepřibližujte se ke spotřebiči a okamžitě se spojte s vaším dodavatelem plynu nebo požární stanicí.

**NEBEZPEČÍ**

1. Nikdy nenechávejte přístroj v provozu bez dozoru.
2. Přístroj nikdy nepoužívejte ve vzdálenosti menší než 3 m od konstrukcí budov, hořlavých materiálů nebo jiných plynových láhví nebo zásobníků.
3. Přístroj nikdy nepoužívejte ve vzdálenosti menší než 7,5 m od veškerých hořavin.
4. Pokud dojde ke vzniku požáru, držte se daleko od přístroje a okamžitě přivolejte hasičský sbor. Vznícený olej nebo tuk se nepokoušejte hasit vodou.

Nedodržením těchto instrukcí může dojít ke vzniku požáru, k výbuchu nebo nebezpečí popálení s následnými škodami na majetku, zraněními nebo smrtí.

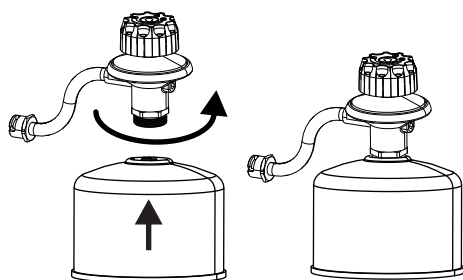
#### TECHNICKÉ ÚDAJE

Spotřeba plynu: 2,8 kW (204 g/h)

Velikost trysky: 0,80mm

Druh plynu: směs propan-butanu

#### PŘIPOJENÍ PLYNOVÉHO ZÁSOBNÍKU



**VAROVÁNÍ**

**Pro bezpečné používání vašeho spotřebiče a předcházení vzniku vážných úrazů:**

- **POUŽÍVEJTE POUZE VE VENKOVNÍM PROSTŘEDÍ. NIKDY NEPOUŽÍVEJTE UVNITŘ.**
- Před používáním spotřebiče si důkladně přečtete pokyny pro používání. Tyto pokyny vždy dodržujte.
- Spotřebič během používání nepřemísťujte.
- Přístupné součásti mohou být velmi horké. Malé děti se nesmí k přístroji přibližovat. Nedovolte, aby děti s přístrojem zacházely nebo si s ním hrály.
- Po skončení práce se spotřebičem odpojte plynovou bombu.
- Tento spotřebič musí být během používání umístěn z dosahu hořlavých materiálů.
- Nezakrývejte otvory na stranách spotřebiče nebo na jeho zadní straně.
- Pravidelně kontrolujte plameny hořáku.
- Neblokujte otvory venturiho trubic na hořáku.
- Spotřebič používejte pouze v dobře větraném prostoru. NIKDY spotřebič nepoužívejte na zakrytých místech, jako je přístřešek pro auto, garáž, veranda, krytá terasa nebo místa pod jakoukoliv jinou konstrukcí.
- Přístroj je určen pro plyn, nepoužívejte v něm uhlí ani keramické brikety.
- Grilovací mřížky **NEZAKRÝVEJTE** alobalem, ani jiným materiálem. Došlo by k zablokování ventilace přístroje a k vzniku potenciálně nebezpečné situace, která může vést k poškození přístroje a/nebo poranění osob.
- **Spotřebič používejte ve vzdálenosti minimálně 1 m od stěny nebo jiných povrchů.** Dodržujte vzdálenost 3 m od objektů, které mohou vzplanout, nebo od zdrojů vznícení, jako jsou kontrolky na ohřívacích vody, aktivní elektrické přístroje, ap.

- NIKDY se nepokoušejte zapálit hořák, když je poklop zavřený. Nahromaděný nezapařený plyn uvnitř zavřeného přístroje je nebezpečný.
- Vždy zavřete přívod plynu ze zásobníku a odpojte regulátor předtím, než budete přemísťovat plynovou nádobu z její uvedené provozní polohy.
- Přístroj nikdy nepoužívejte, pokud není tlaková nádoba s plynem ve správné pozici dle specifikace.
- Na spotřebiči neprovádějte žádné změny. Provádění jakýchkoliv změn je přísně zakázáno. Uživatel nesmí manipulovat s utěsněnými součástmi. Nerozebírejte trysky.

#### POŽADAVKY NA REGULÁTOR

- Používejte pouze regulátor dodaný s tímto výrobkem, nebo náhradní regulátor dodaný výrobcem.

## Bezpečnostní tipy

- Pokud přístroj nepoužíváte, otočte ovládací knoflíky do polohy vypnuto a zavřete přívod plynu.
- Používejte grilovací náčiní s dlouhými rukojetmi a ochranné rukavice na vaření, abyste se vyvarovali popálení nebo postříkání horkým tukem. Při manipulaci s horkými součástmi používejte ochranné rukavice.
- Miska na zachytávání tuku (pokud jí je přístroj vybaven) musí být vložena do přístroje a po každém použití je nutné ji vyprázdnit. Misku na zachytávání tuku neodstraňujte, dokud nebude přístroj zcela studený.
- Při otvírání poklopu buďte velice opatrní, může z pod něj vycházet velmi horká pára.
- Buďte velmi opatrní, pokud jsou poblíž děti, staří lidé nebo domácí zvířata.
- Pokud zjistíte, že z přístroje odkapává tuk nebo jiný horký materiál na ventil, hadici nebo ventilátor, okamžitě uzavřete přívod plynu. Zjistěte příčinu a odstraňte ji, pak vyčistěte a zkontrolujte ventil, hadici a regulátor před tím, než budete v používání pokračovat. Proveďte zkoušku těsnosti.

**POZOR**

- Pozorně si přečtete a dodržujte všechny bezpečnostní pokyny, pokyny pro sestavení a pro používání a pečte předtím, než přístroj sestavíte a budete jej používat pro přípravu jídla.
- Některé součásti mohou mít ostré hrany. Doporučujeme používat ochranné rukavice.



#### Vznícení tuku

- Uhasit vznícený tuk tak, že zavřete poklop grilu, není možné. Grily jsou z bezpečnostních důvodů dobře odvětrávány.
- Na vznícený tuk nikdy nepoužívejte vodu. Mohlo by dojít k poranění osob. Pokud i nadále dochází ke vznícení tuku, otočte knoflíky do polohy vypnuto a odpojte zásobník plynu.
- Pokud nebyl spotřebič řádně čistěn, může dojít ke vznícení usazeného tuku a tak k poškození produktu. Při předehřívání nebo vypalování zbytků jídla dbejte na to, aby nedošlo ke vznícení tuku. Dodržujte instrukce uvedené v odstavcích Celkové čištění stroje a Čištění hořáku, abyste se vyvarovali vznícení tuku.
- Nejlepší prevencí vznícení tuku je pravidelné čištění spotřebiče.

#### PLYNOVÉ ZÁSOBNÍKY

- Toto zařízení musí být použito pouze s butan / propan jednorázové plynové kartuše s ventilem EN417 jako je CFH 230 g, 445 g, Zapp Coleman 500g nebo ekvivalent, aniž by překročil 500 g.



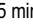
- Pokoušet se použít jiné plynové zásobníky je nebezpečné.
- Změna plynu kazetu mimo a daleko od lidí. Zásobník plynu NEODPOJUJTE ani nevyměňujte ve vzdálenosti menší než 3 m od otevřeného ohně, od zdroje vznícení nebo od jiných osob.
- Před výměnou zásobníku zkontrolujte, že je zásobník prázdný (zaféste jím, zda uslyšíte zvuk kapaliny v zásobníku).
- Před odpojením zásobníku plynu se přesvědčte, že hořáky jsou vypnuty.
- Před připojením plynového zásobníku se přesvědčte, že jsou těsnění na správném místě a v dobrém stavu. Před připojením nové plynové kartuše k přístroji zkontrolujte těsnění.
- Přístroj nepoužívejte, pokud jsou těsnění poškozena nebo opotřebená. Nepokoušejte se těsnění opravovat. Nové díly obdržíte od výrobce.
- Nepoužívejte přístroj, který netěsní, je poškozený nebo nepracuje správně.
- Pokud je ve vašem přístroji netěsnost (cítíte plyn), okamžitě jej vezměte ven na dobře větrané místo, kde nejsou žádné plameny, aby bylo možné unik plynu lokalizovat a zastavit. Pokud chcete kontrolovat netěsnosti ve vašem přístroji, dělejte to venku. Nepokoušejte se zjišťovat unik plynu pomocí plamene, použijte mýdlovou vodu.

 Ovladač je zamknut v poloze OFF. Pokud ho chcete odemknout, otočte ho .

## Zapalování pomocí zapalovače


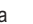
### PŘED ZAPÁLENÍM SI PŘEČTĚTE INSTRUKCE.

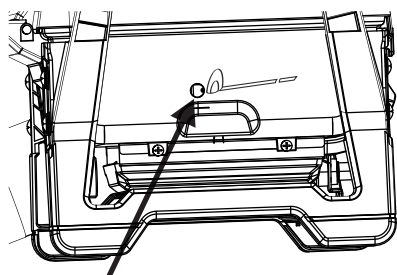
Při zapalování se **NENAKLÁNĚJTE** nad přístroj.

- Otočte ovládací ventil plynového hořáku do polohy .
- Připojte zásobník se zkapalněným plynem.
- Otevřete** víko grilu.
- Stiskněte a otočte ovládací knoflík do polohy .
- Rychle stiskněte tlačítko zapalování.
- Po zapálení hořáku otočte ovládací knoflík do požadované polohy.
- Pokud **NEDOJDE** k zapálení během 5 sekund, otočte ovládacími knoflíky hořáku do polohy , vyčkejte 5 minut a opakujte postup pro zapálení.

**Pokud i přesto k zapálení nedojde, postupujte podle pokynů pro zapálení sirkou.**

## Zapálení sirkou


- Zapálenou sirku umístěte k hořáku. Otočte kolečko regulátoru do polohy .
- Pokud **NEDOJDE** k zapálení do 5 vteřin, otočte kolečko regulátoru do polohy , vyčkejte 5 minut a postup zapálení opakujte.

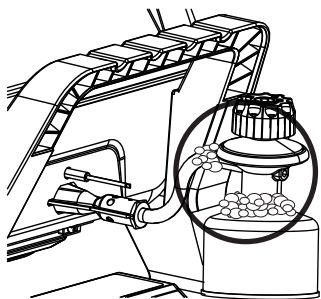


Otvor pro sirku

## Zkoušetestnostiventilů, trubky a regulátoru

Kontrolutěsnostiprovádějteminimálnějednou ročněavzdyprivýměněneboodpojení plynovéhozásobníku.

- Otočte všechny knoflíky přístroje do polohy .
- Ujistěte se, že plynový zásobník je těsně připojen k regulátoru.
- Pokud slyšíte *hlasitý zvuk*, patronu okamžitě vyjměte. Znamená to, že spojení je velmi netěsné. **Než budete pokračovat, musíte toto napravit.**
- Naneste kartáčkem mýdlový roztok (směs poloviny mýdla a poloviny vody) na hadicové spojení a na oblastí zakroužkované v obrázku níže.
- Pokud se objevují *naftukující* se bubliny, je spojení netěsné. Zkontrolujte těsnost zásobníku. Pokud netěsnost přetrvává, vyměňte zásobník a opakujte znovu. Pokud není možné únik zastavit, nepokoušejte se jej opravit. Požádejte o náhradní díly.

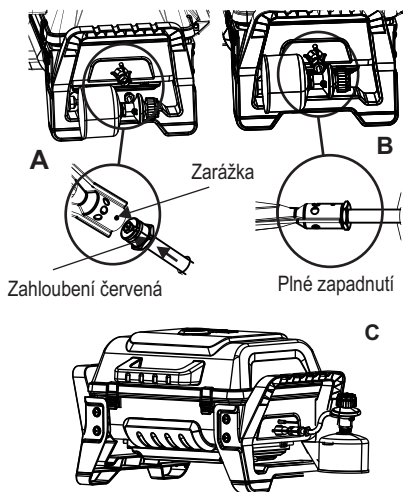


## Instalace/vyjmutí regulátoru/ventilu

- Tlačítko směřuje doprava a vložte regulátor/ventil na konec hořáku (A).

**Zarážka regulátoru/ventilu MUSÍ zapadnout do zhloubení na konci hořáku.**

- Když je regulátor/ventil spojen s hořákem, otočte regulátorem/ventilem otočte proti směru hodinových ručiček (B) a zajistěte jej v pozici, kdy kolečko směřuje dolů (C).
- Pro vyjmutí proveďte kroky v opačném pořadí.



Zahloubení červená

Plné zapadnutí

 **POZOR** 

### VAROVÁNÍ PŘED PAVOUKY!

PAVOUCI A PAVUČINY  
UVNITŘ HOŘÁKU

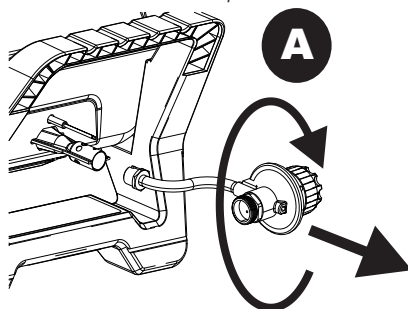


Pokud se váš gril těžko zapaluje nebo jsou plameny slabé, zkontrolujte jej a vyčistěte otvory venturiho trubice a hořáky.

Je známo, že pavouci nebo drobný hmyz způsobují problém "zpětného vzplanutí" tím, že si ve venturiho trubicích a hořácích grilu staví hnízda a kladou sem vajíčka, což zabraňuje průchodu plynu. Může dojít ke vznícení nahromaděného plynu za ovládacím panelem. Toto zpětné vzplanutí může poškodit váš gril a způsobit zranění. Pro prevenci zpětného vzplanutí a zajištění stálého výkonu přístroje je nutné hořák a venturiho trubici vyjmout a vyčistit pokaždé, když gril delší dobu nepoužíváte.

## Čištění hořáku

- Uzavřete regulační kolečko pro přívod plynu a odpojte plynovou patronu.**
- Sejměte grilovací mřížku.
- Vyjměte regulátor z trubky hořáku (1) tak, že jej pootočíte tak, aby regulační kolečko směřovalo doprava, a pak (2) vytáhněte směrem dopředu. Viz **obr. A**
- Oplachovacím alkoholem a hadříkem otřete keramickou elektrodu. Vnější části hořáku vyčistěte pomocí mýdla a vody. Do trubice hořáku vložte zahradní hadici (pokud možno s tryskou) a trubici hořáku propláchněte. Ujistěte se, že voda vytéká z každého otvoru. Zanesené otvory uvolněte pomocí tenké dráty. **Hořák nechte důkladně vyschnout** a zkontrolujte otvory. Důsledkem běžného opotřebení a koroze mohou být některé otvory zvětšeny. Pokud tomu tak je, hořák vyměňte. Pokud se objeví vodorovné praskliny mezi otvory nebo pokud jsou otvory příliš velké (větší než ostatní), hořák vyměňte.
- Před uskladněním hořák ošetřete tenkou vrstvou oleje na vaření. Na ochranu před hmyzem jej zabalte do ochranného obalu. Pokud hořák nebudete uskláňovat, pokračujte následujícími kroky.
- Regulátor znovu připojte.
- Umístěte zpět grilovací mřížku.
- Předtím, než budete gril znovu používat, proveďte "zkoušku těsnosti" a "kontrolu plamene hořáku".



## Uskladnění přístroje

- Vyčistěte grilovací mřížky.
- Skladujte na suchém místě.
- Pokud je zásobník s plynem připojen k přístroji, skladujte přístroj venku v dobře větraném prostoru a z dosahu dětí.
- Pokud přístroj skladujete venku, zakryjte jej.
- Přístroj skladujte uvnitř **POUZE** v případě, že je zásobník s plynem odpojený, vyjmutý ze spotřebiče a uskladněný venku.
- Po vyjmutí spotřebiče ze skladu zkontrolujte možné překážky v hořáku.

## Celkové čištění přístroje

- Přístroj pravidelně čistěte, ideálně po každém použití. Pokud pro čištění povrchů pro vaření používáte kartáč se štětinami, před grilováním se ujistěte, že na žádném povrchu pro vaření nezůstaly uvolněné štětiny. Nedoporučuje se čistit povrchy pro vaření, pokud je přístroj stále ještě horký. Přístroj musí být čistěn minimálně jednou ročně.
- Nezaměňujte hnědý nebo černý nahromaděný tuk a kouř za nátěr. Vnitřek plynového grilu není z výroby ošetřen lakem (**a nikdy by neměl být natřen**). Na vnitřní povrchy poklopu a dno přístroje používejte silný roztok saponátu a vody nebo čistící prostředek a tvrdý kartáč. Opláchněte a nechte zcela oschnout na vzduchu. **Na lakované povrchy nepoužívejte žíravé čističe pro čištění přístrojů/trub.**
- Plastové součásti:** Omyjte teplou vodou s mýdlem a vytřete do sucha. Na plastové součásti nepoužívejte žádné silné čisticí prostředky (např. obsahující citrisol), abrazivní čisticí prostředky, odmašťovací prostředky nebo koncentrované čističe. Může dojít k poškození a chybnému fungování těchto součástí.
- Porcelánové povrchy:** Díky jejich složení podobnému sklu je možné většinu zbytků jídla lehce setřít pomocí roztoku vody s jedlou sodou nebo čističe se speciálním složením. Pro vytvrálé nečistoty použijte brusný čisticí prášek.
- Lakované povrchy:** Omyvejte jemným saponátem nebo neabrazivním čističem a teplou mýdlovou vodou. Vytřete do sucha měkkou neabrazivní utěrkou.
- Nerezové povrchy:** Abyste zachovali vysoce kvalitní vzhled vašeho přístroje, omyvejte jej po každém použití jemným saponátem a teplou mýdlovou vodou a vytřete jej do sucha měkkým hadříkem. Napečené vrstvy tuku mohou vyžadovat použití brusné umělohmotné čisticí podložky. Abyste se vyvarovali poškození, používejte ji pouze ve směru kartáčovaného povrchu. Na plochy s grafikou nepoužívejte drátěnku ani brusnou utěrkou.
- Povrchy pro vaření:** Pokud používáte pro čištění povrchů pro vaření kartáč se štětinami, před grilováním se ujistěte, že na žádném povrchu pro vaření nezůstaly uvolněné štětiny. Nedoporučuje se čistit povrchy pro vaření, pokud je přístroj stále ještě horký.

## POKUD SE PŘÍSTROJ NEPODARÍ ZAPÁLIT

Ujistěte se, že je otevřen přívod plynu na zásobníku. Ujistěte se, že je v zásobníku plyn.

Vydává zapalovač jiskřivý zvuk?

Pokud ano, zkontrolujte, že hořák dává jiskru. Pokud přístroj nedává jiskru, zkontrolujte, zda nedošlo k poškození nebo uvolnění vodičů. Pokud jsou vodiče v pořádku, zkontrolujte, zda není poškozena elektroda. V případě potřeby ji vyměňte. Pokud jsou na vodičích nebo elektrodách zbytky po vaření, vyčistěte v případě potřeby špičku elektrody utěrkou s alkoholem. V případě potřeby vodiče vyměňte.

Pokud neslyšíte žádný zvuk, zkontrolujte baterii. Ujistěte se, že je baterie správně vložena. Zkontrolujte, zda na modulu nebo spínači není uvolněn nějaký vodič.

Pokud zapalovač i nadále nefunguje, použijte sirkou.

Pokud je nutné přístroj opravit, obraťte se prosím na vašeho dodavatele nebo společnost Kriswell A/S. Kontaktní informace společnosti Kriswell A/A naleznete na straně 40.

**DÔLEŽITÉ UPOZORNENIE:** Skôr, než tento vonkajší gril pripojíte k zásobníku na plyn, pozorne si prečítajte tento návod na použitie, aby ste sa ním oboznámili. Tento návod na použitie uchovajte pre budúce použitie.

## Používajte len vonku

Kategória spotrebiča: tlak pár v zmesi plynu bután-propán.

## INŠTALATÉR/MONTÉR:

Túto príručku odovzdajte spotrebiteľovi.

## SPOTREBITEĽ:

Túto príručku uchovajte pre budúce použitie.

### Otázky:

Ak máte pri zostavení alebo používaní tohto grilu nejaké otázky, obráťte sa na svojho miestneho predajcu.

⚠
NEBEZPEČENSTVO
⚠

**Ak zaciťte plyn:**

1. Vypnite prívod plynu do grilu.
2. Zhasnite všetky otvorené plamene.
3. Otvorte veko.
4. Ak zápach pretrváva, zdržiavajte sa v dostatočnej vzdialenosti od grilu a ihneď zavolajte svojmu dodávateľovi plynu alebo na požiarny zbor.

⚠
NEBEZPEČENSTVO
⚠

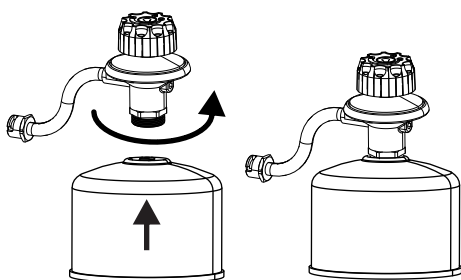
1. Tento gril nikdy neobsluhujte bez dozoru.
2. Tento gril nikdy neobsluhujte vo vzdialenosti do 3m od akejkoľvek konštrukcie, horľavého materiálu alebo iných fliaš na stlačený plyn alebo zásobníkov.
3. Tento gril nikdy neobsluhujte vo vzdialenosti do 7,5 metra od akejkoľvek horľavej kvapaliny.
4. Ak by došlo k požiaru, zdržiavajte sa v dostatočnej vzdialenosti od grilu a ihneď zavolajte na požiarny zbor. Horiaci olej alebo mazivá sa nepokúšajte hasiť s vodou.

Nedodržanie týchto pokynov môže mať za následok riziko požiaru, výbuchu alebo popálenia, čo by mohlo spôsobiť škody na majetku, zranenie osôb alebo smrť.

### TECHNICKÉ PARAMETRE

Spotreba plynu: 2,8 kW (204 g/h)  
Veľkosť vstrekovacej dýzy: 0,80 mm  
Typ plynu: zmes bután-propán

### PRIPOJENIE ZÁSObNÍKOV NA PLYN



⚠
VÝSTRAHA
⚠

**Pre bezpečné používanie grilu a na zabránenie vážnemu zraneniu:**

- **POUŽÍVAJTE LEN VONKU. NIKDY NEPOUŽÍVAJTE VO VNÚTRORÝCH PRIESTOROCH.**
- Pred používaním tohto grilu si prečítajte návod na používanie. Vždy postupujte podľa tohto návodu na používanie.
- Nehýbte s grilom počas používania.
- Prístupné diely môžu byť veľmi horúce. Malé deti sa musia zdržiavať v dostatočnej vzdialenosti od grilu. Nedovoľte deťom obsluhovať alebo hrať sa s týmto grilom.
- Používajte iba na stabilnej a vodorovnej ploche.
- Tento gril musí byť pri používaní udržiavaný mimo dosahu horľavých materiálov.
- Neblokujte otvory na bočných stranách alebo na zadnej strane grilu.
- Plamene horáka pravidelne kontrolujte.
- Neblokujte Venturiho otvory na horáku.
- NIKDY nepoužívajte v uzatvorenom priestore, ako sú prístrešok pre auto, garáž, veranda, krytá terasa alebo pod stropnou konštrukciou akéhokoľvek druhu.
- V tomto plynovom grile nepoužívajte drevené uhlie alebo keramické brikety.
- **NEZAKRÝVAJTE** rošty s hliníkovou fóliou alebo iným materiálom. Zablokuje sa tým vetranie horáka a vytvorí potenciálne nebezpečný stav s následkom škody na majetku alebo zranenia osôb.
- **Gril používajte vo vzdialenosti najmenej 1 metra od akejkoľvek steny alebo povrchu.** Udržujte 3-metrovú vzdialenosť od objektov, ktoré môžu vzplanúť, alebo od zápalných zdrojov, ako sú svetelné indikátory na ohrievacoch vody, elektrické spotrebiče pod napätím a podobne.

- Horák sa NIKDY nepokúšajte zapáliť so zatvoreným vekom. Nahromadený nezapaľený plyn vo vnútri uzavretého grilu je nebezpečný.
- Gril nikdy neobsluhujte, keď zásobník na plyn nie je v určenej správnej polohe.
- Gril neupravujte. Akékoľvek úpravy sú prísne zakázané. Používateľ nesmie manipulovať so zaplombovanými dielmi. Neodmontúvajte vstrekovacie dýzy.

## Bezpečnostné tipy

- Keď gril nepoužívate, vypnite všetky ovládacie gombíky a plyn.
- Aby sa zabránilo popáleniu a špliechaniu, používajte grilovacie náčinie s dlhou rukoväťou a kuchynské rukavice a chnacky. Pri manipulácii s horúcimi súčastami používajte ochranné rukavice.
- Do grilu musí byť vložený zásobník na tuk, ktorý sa musí po každom použití vyprázdniť. Neodstranujte miskú na tuk, pokiaľ gril úplne nevychladne.
- Keď otvárate veko, buďte veľmi opatrní, pretože môže uniknúť horúca para.
- Keď sú v blízkosti prítomné deti, starší ľudia alebo zvieratá, buďte veľmi opatrní.
- Ak zistíte, že do regulátora kvapká z grilu tuk alebo iný horúci materiál, okamžite vypnite prívod plynu. Zistite príčinu, odstráňte ju a pred pokračovaním regulátor vycistite a skontrolujte. Vykonať skúšku tesnosti

⚠
UPOZORNENIE
⚠

- Pred zostavením grilu a grilovaním si prečítajte a dodržiavajte všetky bezpečnostné pokyny, návod na montáž a používanie a pokyny týkajúce sa starostlivosti.
- Niektoré diely môžu mať ostré hrany. Odporúča sa nosiť ochranné rukavice.

### Horiaci tuk

- Horiaci tuk nemožno uhasiť zatvorením veka. Mriežky sú dobre vetrané z bezpečnostných dôvodov.
- Na hasenie horiaceho oleja nepoužívajte vodu, pretože môže dôjsť k zraneniu osôb. Ak začne horieť tuk, vypnite ovládacie gombíky regulátora.
- Ak gril nie je pravidelne cistený, môže dôjsť k horeniu tuku a k poškodeniu grilu. Pri predhrievaní alebo spalovaní zvyškov jedla dávajte pozor, aby tuk nezacal horieť. Aby sa zabránilo horeniu tuku, postupujte podľa pokynov v castiach Celkové čistenie grilu a Cistenie zostavy horáka.
- Najlepší spôsob, ako zabrániť horeniu tuku, je pravidelné čistenie grilu.



### ZÁSObNÍKY NA PLYN

- Toto zariadenie musí byť použitá len s bután / propán jednorazové plynové kartuše s ventilom EN417 ako je CFH 230 g, 445 g, Zapp Coleman 500g alebo ekvivalent, bez toho, aby prekročil 500 g.
- Ak by ste sa pokúšali pripojiť iné typy zásobníkov na plyn, môže to byť nebezpečné.
- Zásobník na plyn vymenajte vonku a ďalej od ľudí. Zásobník na plyn NEODPÁJAJTE alebo nevymenajte vo vzdialenosti do 3 metrov do otvoreného ohňa alebo iných zdrojov zapálenia alebo ak sú prítomní ľudia.
- Skontrolujte, či je zásobník na plyn pred výmenou prázdny (potrasením môžete pocítiť hluk vytváraný kvapalinou).
- Pred odpojením zásobníka na plyn skontrolujte, či sú horáky zhasnuté.
- Pred pripojením grilu k zásobníku na plyn sa uistite, že tesnenia sú založené na svojich miestach a že sú v dobrom stave. Pred pripojením grilu k zásobníku na plyn skontrolujte tesnenia.
- Gril nepoužívajte s poškodenými alebo opotrebovanými tesneniami. Tesnenia sa nepokúšajte opraviť. Nové diely si zaobstarajte od výrobcu.
- Nepoužívajte gril, ktorý je netesný, je pošj polohe.
- kodený, alebo ktorý správne nefunguje.
- Ak gril netesní (zápach plynu), okamžite ho vynesť von so zhasnutým plamenom na dobre vetrané miesto, kde únik plynu možno zistiť a zastaviť. Ak chcete skontrolovať tesnosť grilu, vykonajte to vonku. Netesnosť sa nesnažte zistiť pomocou plamena, ale použite mydlovú vodu.

### POŽIADAVKY NA REGULÁTOR

- Používajte iba regulátor dodaný s týmto grilom, alebo náhradný diel, ktorý dodáva výrobca.



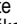


 Otočný regulátor je zamknutý v polohe OFF. Otočením  ho odomknite.

## Zapálenie zapaľovača



**PRED ZAPÁLENÍM SI PREČÍTAJTE NÁVOD NA POUŽITIE.**

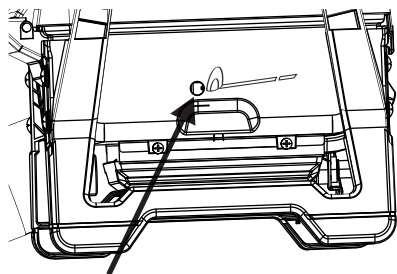
Pri zapaľovaní sa **NENAKLÁŇAJTE** nad gril.

1. Ovládací gombík regulátora otočte do polohy .
2. Pripojte zásobník na plyn.
3. **Otvorte** veko grilu.
4. Ovládací gombík regulátora stlačte a otočte do polohy .
5. Tlačidlo zapaľovača rýchlo stlačte.
6. Po zapálení otočte ovládací gombík do požadovanej polohy.
7. Pokiaľ nedôjde k zapáleniu do 5 sekúnd, otočte ovládací gombík regulátora do polohy , počkajte 5 minút a postup zapálenia zopakujte.

**Ak sa stále nedá zapáliť, postupujte podľa pokynov na zapálenie pomocou zápaliek.**


## Zapálenie pomocou zápaliek

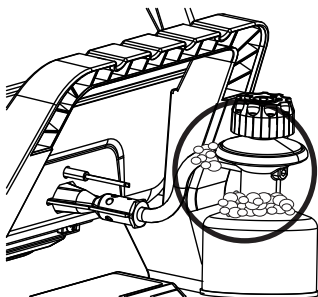
1. Zapálenú zápalku priložte k horáku. Ovládací gombík regulátora otočte do polohy .
2. Pokiaľ **NEDÔJDE** k zapáleniu do 5 sekúnd, otočte ovládací gombík regulátora do polohy , počkajte 5 minút a postup zapálenia zopakujte.



Zápas zapaľovania palice

**Skúška tesnosti ventilov, rúrky a regulátora**  
Skúšku tesnosti vykonajte najmenej raz za rok a vždy pri výmene alebo odpojení zásobníka na plyn.

1. Ovládací gombík regulátora na grile otočte do polohy .
2. Uistite sa, že zásobník na plyn je pevne pripojený k regulátoru.
3. Ak počujete **šychtívý zvuk**, zásobník okamžite odpojte. V mieste napojenia je veľký únik plynu.  
**Pred pokračovaním spoj opravte.**
4. Na spojky hadice a na miesta, ktoré sú zakrúžkované nižšie, štetcom naneste mydlový roztok (zmes mydla a vody v pomere 1:1).
5. Ak sa začnú tvoriť **bublíny**, spoj je netesný. Skontrolujte tesnosť zásobníka na plyn. Ak unikanie pokračuje, vymeňte zásobník a skúste znova. Ak unikanie nemožno zastaviť, zásobník sa nepokúšajte opraviť. Požiadajte o náhradné diely.

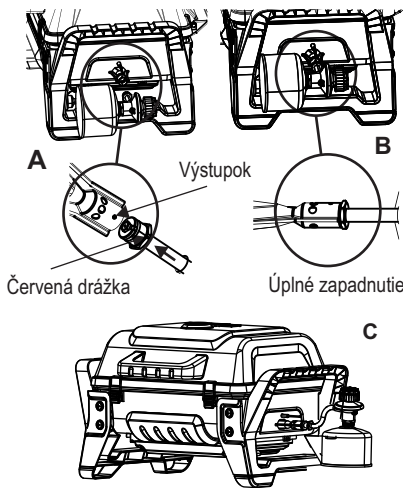


## Inštalácia regulátora/ventilu/Odstránenie

1. Ovládací gombík regulátora otočte do polohy smerom doprava a na koniec horáka (A) nasunte regulátor/ventil.

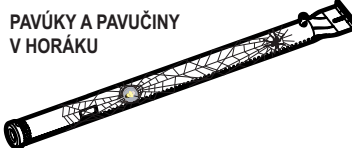
**Výstupok na regulátore alebo ventilu MUSÍ zapadnúť do drážky na konci horáka.**

2. Keď regulátor alebo ventil úplne zapadol do horáka, regulátor alebo ventil zaistíte v otočte proti smeru hodinových ručičiek (B) pomocou ovládacieho gombíka, ako je to znázornené na obrázku ©.
3. Ak ho chcete odpojiť, uvedené kroky vykonajte v opačnom smere.



## **UPOZORNENIE**

### **UPOZORNENIE TÝKAJÚCE SA PAVÚKOV**

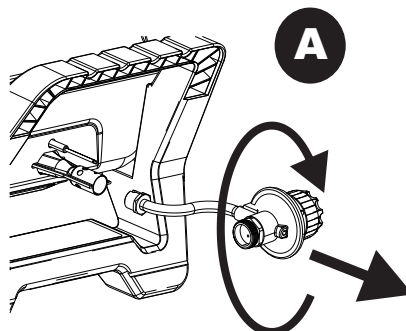


Ak sa pri zapaľovaní grilu vyskytujú problémy alebo ak je plameň slabý, skontrolujte a vyčistite Venturiho trubicu a horáky.

Pavúky alebo malý hmyz je známy tým, že spôsobuje problémy so „spätým prúdom“, pretože vo Venturiho trubici alebo horáku grilu si budujú hniezda a kladú vajčka, čím blokujú prietok plynu. Spätne prúdiaci plyn sa môže zapáliť za ovládacím panelom. Tento spätý prúd plynu môže spôsobiť poškodenie grilu a zranenie. Keď sa gril nepoužíva alebo počas nečinnosti po dlhšiu dobu sa zostava horáka a Venturiho trubice musí vždy odmontovať a vyčistiť, aby sa zabránilo spätnému prúdu plynu a zaistil sa dobrý výkon.

## Čistenie zostavy horáka

1. Prívod plynu vypnite otočením ovládacieho gombíka regulátora a odpojte zásobník na plyn.
2. Vyberte grilovaciu mriežku.
3. Z rúrky horáka vyberte regulátor (1) jeho otáčaním, kým nebude ovládací gombík doprava, a potom ho vytiahnite von (2). Pozri **OBR. A**
4. Handričkou namočenou v liehu utrite keramickú elektródu. Mydlovou vodou vyčistite vonkajší povrch horáka. Do rúrky horáka vložte záhradnú hadicu (najlepšie s dýzou) a tlakom vody ju prepláchnite. Uistite sa, že voda vyteká z každého otvoru. Tenkým drôtom uvoľnite upchané otvory. **Horák nechajte dôkladne uschnúť** a skontrolujte otvory. Bežné opotrebenie a korózia môžu spôsobiť zväčšenie niektorých otvorov. Ak k tomu dôjde, vymeňte horák. Ak sa medzi otvormi objavia vodorovné trhliny alebo sa zistia veľké otvory (iné ako otvory), horák vymeňte.
5. Ak gril pripravujete na uskladnenie, na horák naneste slabú vrstvu oleja na varenie. Gril zabaľte do ochranného obalu, aby sa dnu nedostal hmyz. Ak gril nie je uskladnený, vykonajte nasledovné kroky.
6. Znovu pripojte regulátor.
7. Vložte grilovaciu mriežku.
8. Pred opätovným grilovaním na grile vykonajte „skúšku tesnosti“ a „skontrolujte plameň horáka“.



## Uskladnenie grilu

- Vycistite grilovacie mriežky.
- Skladujte na suchom mieste.
- Ak je ku grilu pripojený zásobník na plyn, skladujte ho vonku na dobre vetranom mieste a mimo dosahu detí.
- Keď je gril uskladnený vonku, zakryte ho.
- Gril skladujte vnútri IBA v prípade, že zásobník na plyn je odpojený od grilu a uskladnený vonku.
- Pri vyberaní grilu zo skladu skontrolujte, či horák nie je zablokovaný.

## Celkové čistenie grilu

- Gril často čistite, najlepšie po každom grilovaní. Ak sa na čistenie varných plôch grilu používa kefa, pred grilovaním sa uistite, že na varných plochách nezostali žiadne voľné štetiny. Pokiaľ je gril horúci, varnú plochu sa neodporúča čistiť. Gril sa musí vycistiť aspon raz za rok.
- Na čistenie vnútorných plôch, veka grilu a jeho spodnej časti používajte silný roztok čistiaceho prostriedku s vodou alebo použite špeciálny prípravok na čistenie grilov a kefu. Opláchnite a nechajte úplne uschnúť. **Na čistenie lakovaných povrchov nepoužívajte žieravé čistiace prostriedky na gril alebo rúru.**
- **Plastové diely:** Umyte teplou mydlovou vodou a utrite dosucha. Na čistenie plastových dielov nepoužívajte citrisol, drsné čistiace prostriedky, odmastovacie alebo koncentrované čistiace prostriedky na gril. Mohli by spôsobiť poškodenie alebo zlyhanie týchto dielov.
- **Porcelánové povrchy:** Zo sklenených súčastí možno vyutierat väčšinu nečistôt roztokom jedlej sódy s vodou alebo špeciálnym čistiacim prostriedkom. Odolné škvrny odstranjte z týchto povrchov pomocou prášku na umývanie, ktorý ich nepoškriabe.
- **Lakované povrchy:** Umyte slabým čistiacim prostriedkom alebo čistiacim prostriedkom a teplou mydlovou vodou. Utrite dosucha mäkkou handričkou.
- **Povrchy z nerezovej ocele:** Ak chcete zachovať vysoko kvalitný vzhľad vášho grilu, po každom použití ho umyte slabým čistiacim prostriedkom a teplou mydlovou vodou a utrite dosucha mäkkou handričkou. Pripálené zvyšky tuku si môžu na odstránenie vyžadovať použitie drsnej čistiacej plastovej hubky. Používajte iba v smere čistenia kefou, aby sa zabránilo poškodeniu. V miestach s grafikou nepoužívajte drsné utierky.
- **Varné plochy:** Ak sa na čistenie varných plôch grilu používa kefa, pred grilovaním sa uistite, že na varných plochách nezostali žiadne voľné štetiny. Pokiaľ je gril horúci, varné plochy sa neodporúča čistiť.

## AK GRIL NEMOŽNO ZAPÁLIŤ

Uistite sa, že na zásobníku pre plyn je otvorený ventil. Uistite sa, že v zásobníku je plyn.

Vydáva zapaľovač iskry zvuk?

Ak áno, skontrolujte, či sa pri horáku netvorí iskry. Ak sa netvorí žiadne iskry, skontrolujte, či vodiče nie sú poškodené alebo uvoľnené.

Ak sú vodiče v poriadku, skontrolujte, či elektróda nie je prasknutá alebo zlomená, v prípade potreby ju vymeňte.

Ak vodiče alebo elektródy sú pokryté zvyškami z grilovania, v prípade potreby hrot elektródy vyčistite s alkoholom.

V prípade potreby vymeňte vodiče.

Ak horák stále nefunguje, použite zápalky.

Ak je tento gril nutné opraviť, obráťte sa na svojho dodávateľa alebo na spoločnosť Kriswell A/S. Na strane č. 40 si pozrite informácie o spoločnosti Kriswell A/S/contact.

## עצות לבטיחות

כשהמכשיר אינו בשימוש, סגור את כל ידיות הבקרה ואת אספקת הגז.

- השתמש בכלי גריל ארוכים ובכפפות תנור כדי למנוע כוויות ולהתנגן מהחנות. לבש כפפות מגן בעת טיפול בחלקים חמים.
- חובה להכניס את מגש השומן למכשיר ולרוקן אותו אחרי כל שימוש. אין להוציא את מגש השומן לפני שהמכשיר התקרר לחלוטין.
- נהג בזהירות מרבית בעת פתיחת המכסה מחשש לפליטת גל חום לוהט.
- נהג בזהירות מרבית בעת נוכחות ילדים, קשישים או חיות-מחמד בקרבת המכשיר.
- במקרה שתבחין בשומן או בחומר לוהט אחר מטפף מהמכשיר על הווסת, סגור מייד את אספקת הגז. אתר את הוסיבה, הסר אותה, נקה את הווסת ובדק אותו לפני שתמשיך. בצע בדיקת דליפות.

## זהירות

- לפני הרכבת המכשיר וביצוע צלייה, קרא את כל משפטי הבטיחות, הוראות ההרכבה והנחיות השימוש והטיפול ופעל על פיהם.
- חלקים מסוימים עשויים להכיל קצוות חדים. מומלץ ללבוש כפפות מגן.

## דליקות שומן

- לא ניתן לכבות דליקות של שומן על-ידי סגירת המכסה. מסיבות בטיחות, במכשירי הגריל קיימת זרימת אוויר חופשית.
- אין לכבות דליקות שומן באמצעות מים, הדבר עלול לגרום לפציעה. במקרה של התלקחות שומן עיקשת במיוחד, סגור את ידיות הבקרה.
- אם לא מנקים את המכשיר באופן יסודי, השומן עלול להתלקח ולגרום נזק למכשיר. הקפד במיוחד בעת חימום מקדים או שריפה של שיירי מזון, כדי להבטיח שהשומן אינו יתלקח. מלא את הוראות שבסעיפים 'ניקוי כללי של המכשיר' ו'ניקוי מכלול המבער' כדי למנוע התלקחות שומן.
- דרך הטובה ביותר למנוע התלקחות שומן היא ניקוי המכשיר באופן שוטף.

## מכלי גז חד-פעמיים

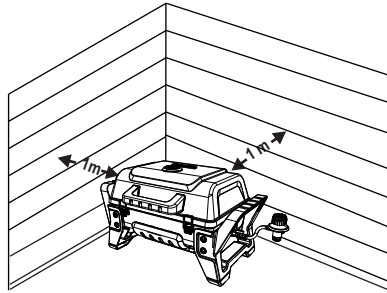
- מכשיר זה יישמש רק עם מחסניות גז חד פעמי בוטאן CFH, Zapp קבוען EN417 230 / פרופאן עם ססתום קולמן 500 גרם או שווה ערך, מבלי לחרוג 445g, 500 גרם.
- חיבור מכלי גז מסוגים אחרים כרוך בסכנה.
- החלף את מכל הגז מחוץ למבנה והרחק מבני אדם. אל תנתק ואל תחליף את מכל הגז בטווח של 3 מ' מלהבה גלויה או ממקור הצתה אחר או מבני אדם אחרים.
- בדוק שמכל הגז ריק לפני שתחליף אותו (נער אותו כדי לשמוע את שקשוק הנוזל).
- בדוק שהמבערים כבו לפני שתנתק את מכל הגז.
- בדוק את נוכחות האטמים ותקינותם לפני שתחבר אל מכל הגז. בדוק את האטמים לפני שתחבר מכל גז חדש למכשיר.
- אין להשתמש במכשיר במקרה שהאטמים פגומים או שחוקים. אל תנסה לתקן אטמים. השג חלקים חדשים אצל היצרן.
- אין להשתמש במכשיר שיש בו דליפות, פגום או שמתפקד באופן לקוי.
- במקרה של דליפה במכשיר (ריח גז), העבר אותו מייד לאזור מאוורר היטב ונטול להבות, במקום המאפשר לגלות את הדליפה ולהפסיקה. כדי לבדוק דליפות במכשיר, העבר אותו החוצה. אל תנסה לגלות דליפות באמצעות להבה, השתמש לשם כך במי סבון.

## דרישות וסת

השתמש רק בווסת שסופק עם מכשיר זה או בחלק תחליפי שמספק היצרן

## אזהרה

- לשימוש בטוח במכשיר ולמניעת פציעה חמורה:
  - הפעל מחוץ למבנה בלבד. לעולם אל תפעיל בתוך מבנה.
  - קרא את ההוראות טרם השימוש במכשיר. הקפד תמיד על מילוי הוראות אלו.
  - אין להזיז את המכשיר בעת השימוש
  - החלקים הנגישים עלולים להיות לוהטים מחום. הרחק ילדים מהמכשיר. אל תאפשר לילדים להפעיל את המכשיר או לשחק בקרבתו.
  - השתמש במכשיר על משטח ישר ויציב בלבד.
  - יש להרחיק מכשיר זה מחומרים דליקים במהלך השימוש.
  - אין לחסום את הפתחים שבצד המכשיר או בחלקו האחורי.
  - בדוק באופן שוטף את להבות המבער.
  - אין לחסום את פתחי ונטורי במבער.
  - לעולם אל תפעיל את המכשיר במקום סגור, כגון סכנת רכב, מוסך, פטיו מקורה או מתחת למבנה עילי מסוג כלשהו.
  - אל תשתמש בפחם או בלבנים קרמיות במכשיר גז.
  - אל תכסה את משטחי המכסה ברדיד אלומיניום או בכל חומר אחר. הדבר חוסם את זרימת האוויר למבער באופן מסוכן העלול לגרום נזק לרכוש ו/או לפציעה.



- השתמש במכשיר במרחק לפחות 1 מ' מקיר או ממשטח כלשהו. שמור על מרווח של 3 מ' מעצמים שעלולים להתלקח או ממקורות הצתה כגון להבות 'שמש' במחממי מים, מכשירי חשמל תחת מתח ועוד.
- לעולם אל תנסה להדליק את המבער כשהמכסה סגור. הצטברות של גז שלא ניצת בתוך מכשיר סגור, מסוכנת.
- לעולם אל תפעיל את המכשיר באמצעות מכל גז חד-פעמי שלא במיקום התקני.
- אל תבצע שינויים או התאמות במכשיר. חל איסור מפורש על שינויים או התאמות. אסור למשתמש להתעסק בחלקים אטומים. אין לפרק את המזרקים.

חשוב: קרא בעיון את הוראות השימוש כך שתכיר את המכשיר לפני שתחבר אותו למכל הגז שלו. שמור את הוראות השימוש לעיון בעתיד.

לשימוש מחוץ למבנה בלבד

קטגוריית המכשיר: תערובת בוטן-פרופן בלחץ אדים. מתקין/מרכיב:

השאר מדריך זה בידי הצרכן.

צרכן:

שמור מדריך זה לעיון בעתיד.

שאלות:

אם מתעוררות שאלות במהלך ההרכבה או השימוש במכשיר זה, צור קשר עם המפיץ המקומי.

## סכנה

במקרה של ריח של גז:

1. סגור את אספקת הגז למכשיר.
2. כבה את כל הלהבות הגלויות.
3. פתח את המכסה.
4. אם עדיין יש ריח, התרחק מהמכשיר והזעק מייד את ספק הגז או מכבי האש.

## סכנה

1. לעולם אל תשאיר מכשיר זה פועל ללא השגחה.
2. לעולם אל תפעיל מכשיר זה בטווח של 3 מ' ממבנה, מחומר דליק או ממכלי גז רגילים או חד-פעמיים.
3. לעולם אל תפעיל מכשיר זה בטווח של 7.5 מ' מנוזל דליק כלשהו.
4. במקרה שפרצה שריפה, התרחק מהמכשיר והזעק מייד את מכבי האש. אל תנסה לכבות התלקחות של שמן או שומן באמצעות מים.

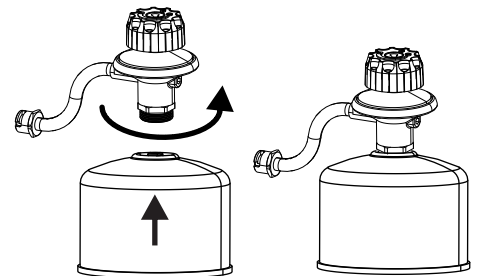
אי הקפדה על הוראות אלו עלולה לגרום לשריפה, התפוצצות או כוויות, וכתוצאה מכך לנזק לרכוש, פציעה או מוות.

## נתונים טכניים

צריכת גז: 2.8 קילו-ואט (204 גרם/שעה)

גודל המזרק: 0.80 מ"מ

## חיבור למכל גז חד-פעמי


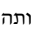


הווסת נעול במצב OFF. כדי לשחרר את הנעילה. סובב למצב.

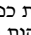
## הדלקת המצת

קרא את הוראות לפני ההדלקה.

אל תישען על המכשיר בזמן ההדלקה.


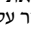
1. העבר את כפתור הבקרה של הווסת למצב .
2. חבר מכל גז.
3. פתח את מכסה הגריל.
4. לחץ על כפתור הבקרה של הווסת וסובב אותה למצב .

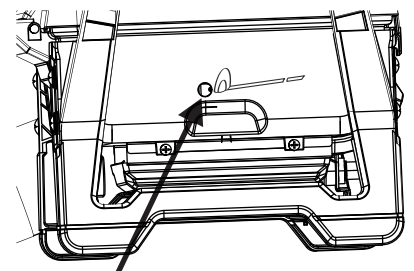
5. לחץ לחיצה מהירה על לחצן המצת.

6. כשהאש נדלקת, סובב את כפתור הבקרה למצב הרצוי.
7. אם האש אינה נדלקת תוך שניות, סובב את כפתור הבקרה של הווסת למצב , המתן 5 דקות וחזור על הליך ההדלקה.

אם ההדלקה לא מתבצעת, פעל לפי הוראות ההדלקה באמצעות גפרור.


## הדלקה באמצעות גפרור

1. קרב גפרור דולק למבער. סובב את כפתור הבקרה של הווסת למצב .
2. אם האש אינה נדלקת תוך 5 שניות, סובב את כפתור הבקרה של הווסת למצב , המתן 5 דקות וחזור על הליך ההדלקה.

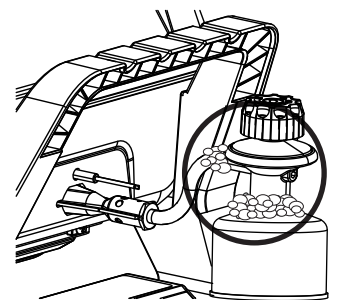


חור אור ההתאמה

## בדיקת דליפות בשסתומים, בצינור ובווסת בצע בדיקת דליפות פעם בשנה ובכל החלפה או ניתוק של המכל.

סובב את כפתור הבקרה של המכשיר למצב  ודא שמכל הגז מחובר באופן הדוק לווסת. אם נשמע רעש חזק, נתק את המכל באופן מיידי. החיבור דולף באופן חמור. תקן את התקלה לפני שתמשיך.

מרח תמיסת סבון (תערובת חצי סבון וחצי מים) על חיבורי הצינור והאזורים המסומנים בעיגול להלן. בועות גדולות מעידות על דליפת גז. בדוק שהמכל אטום. אם הדליפה אינה נפסקת, החלף מכל ובצע שוב את הבדיקה. אם לא ניתן להפסיק את הדליפה, אל תנסה לתקן את התקלה. צור קשר למידע על חלקי חילוף.

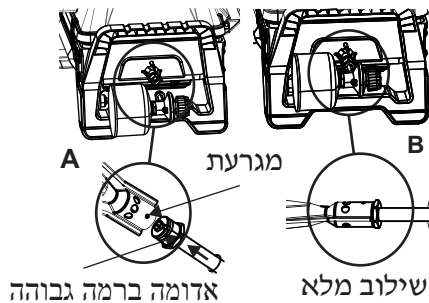


## התקנה/הסרה של וסת/שסתום

1. הכנס את לימין/שסתום לקצה המבער כשהכפתור פונה כלפי מטה (A).
2. לאחר שילוב מלא של הווסת/שסתום במבער, סובב את הווסת/שסתום נגד כיוון השעון (B) לנעול אותו במצב שהכפתור פונה כלפי מעלה (C).
3. כדי להסיר, בצע את הפעולות בסדר הפוך.

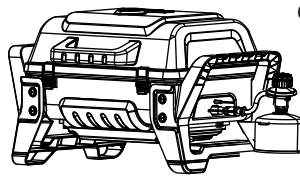
## אחסון המכשיר

- נקה את משטחי הצלייה.
- אחסן במקום יבש.
- כשמכל הגז מחובר למכשיר, אחסן מחוץ למבנה במקום מאוורר היטב והרחק מהישג ידם של ילדים.
- כסה את המכשיר במקרה של אחסון מחוץ למבנה.
- אחסן בתוך מבנה רק בתנאי שמכל הגז מנותק, אינו מחובר למכשיר ומאוחסן מחוץ למבנה.
- בעת הוצאת המכשיר מהאחסון, בדוק אם יש חסימות במבער.



אדומה ברמה גבוהה

שילוב מלא



## ניקוי כללי של המכשיר

נקח את המכשיר לעתים קרובות, עדיף בסיום כל פיקניק. אם משתמשים במברשת זיפים לניקוי משטחי הצלייה, יש לוודא שלא נותרו זיפים על משטחי הצלייה לפני הצלייה. לא מומלץ לנקות את משטח הצלייה בזמן שהמכשיר חם. יש לנקות את המכשיר לפחות פעם בשנה.

השתמש בתמיסה מרוכזת של חומר ניקוי עם מים או בחומר ניקוי מיוחד לגריל וקרצף במברשת את החלקים הפנימיים של המכסה והחלק התחתון של המכשיר. שטוף והמתן לייבוש מלא באוויר. אל תשתמש בחומר ניקוי קאווסטי או בחומר לניקוי תנורים במשטחים צבועים. חלקי פלסטיק: נקה במי סבון חמימים ויבש על-ידי ניגוב.

לניקוי חלקי פלסטיק, אין להשתמש בציטרוזול (citrisol), חומרי ניקוי אברזיביים, מסירי שומנים או חומר ניקוי ייעודי מרוכז. הדבר עלול לגרום נזק לחלקים ולשפש את תפקודם. משטחי פורצלן: בזכות הדמיון לזכוכית, ניתן להרחיק את רוב השייכים בעזרת תמיסת סודה לשתייה או חומר ניקוי ייעודי. להסרת כתמים עקשנים, השתמש באבקת צחצוח לא אברזיבית.

משטחים צבועים: נקה בעזרת חומר ניקוי מהול או חומר לא אברזיבי ומי סבון חמימים. יבש על-ידי ניגוב באמצעות מטלית רכה ועדינה.

משטחי פלדת אל-חלד: כדי לשמור על הגימור האיכותי של המכשיר, לאחר כל שימוש, נקה אותו בחומר ניקוי מהול ומי סבון חמימים ויבש על-ידי ניגוב במטלית רכה. משקעים דבוקים של שומן שרוף עשויים להצריך שימוש ברפידת ניקוי אברזיבית מפלסטיק. כדי למנוע נזק, השתמש ברפידה רק בכיוון קווי המרקם של הגימור המוברש. אין להשתמש ברפידת הניקוי במשטחים מעוטרים בגרפיקה.

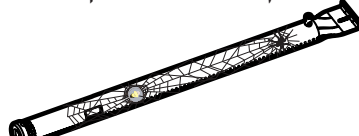
משטחי הצלייה: אם משתמשים במברשת זיפים לניקוי משטחי הצלייה, יש לוודא שלא נותרו זיפים על משטחי הצלייה לפני הצלייה. לא מומלץ לנקות את משטחי הצלייה בזמן שהמכשיר חם.



## זהירות

### עכבישים!

### עכבישים וקורי עכביש בתוך המבער



אם יש קושי להדליק את המכשיר או הלהבות חלשות, בדוק את צינורות ונטורי והמבערים ונקח אותם.

עכבישים וחרקים קטנים הם גורמים ידועים לבעיה הנקראת 'רתיעת להבה' (flashback באנגלית), עקב הקינים שהם בונים והביצים שהם מטילים בתוך צינורות ונטורי או במבער, דבר החוסם את זרימת הגז. הגז החוזר עלול להתלקח מאחורי לוח הבקרה של המכשיר. רתיעת הלהבה עלולה להזיק למכשיר ולגרום לפציעה. כדי למנוע רתיעות להבה ולהבטיח שמירה על ביצועים תקינים, יש להסיר את המבער ואת מכלול צינור ונטורי ולנקותם בכל פעם שמשביתים את המכשיר לתקופה ממושכת.

## ניקוי מכלול המבער

1. סגור את אספקת הגז באמצעות כפתור הווסת ונתק את מכל הגז.
2. הסר את משטח הצלייה.
3. הסר את לימין מצניור המבער על-ידי (1) סיבוב הווסת עד שהכפתור יפנה כלפי מטה ולאחר מכן (2) משיכה החוצה. ראה איור A.
4. נגב את האלקטרודה הקרמית באמצעות מטלית ספוגה באלכוהול. נקה את חלקי החיצוני של המבער במים ובסבון. החדר צינור גינה (עדיף עם פייה) לתוך צינור המבער והזרם דרכו מים בלחץ. ודא שהמים יוצאים מכל החריצים. נקה חריצים סתומים בעזרת תיל דק. אפשר לצינור להתייבש היטב ובדוק את החריצים. בלאי ושיטוח טבעיים גורמים להרחבת חלק מהחריצים. במקרה כזה, החלף את המבער. אם מופיעים סדקים אופקיים בין החריצים או מתגלים חורים גדולים (בנוסף לחריצים), החלף את המבער.
5. אם יש כוונה לאחסן את הגריל, צפה את המבער בשכבה דקה של שמן מאכל. עטוף בכיסוי מגן כדי למנוע כניסת חרקים. בהוצאה מהאחסון פעל כלהלן.
6. חבר את הווסת.
7. חבר את משטח הצלייה.
8. לפני ההפעלה הבאה של הגריל, בצע 'בדיקת דליפות' ו'בדיקת להבת המבער'.

## אם לא ניתן להדליק את המכשיר

וודא שאספקת הגז מופעלת בנקודת החיבור של המכל. וודא שיש גז במכל.

האם נשמעות אוושות ניצוץ במצת?

אם כן, בדוק נוכחות ניצוץ במבער.

אם אין ניצוץ, בדוק אם חוטי החשמל פגומים או משוחררים.

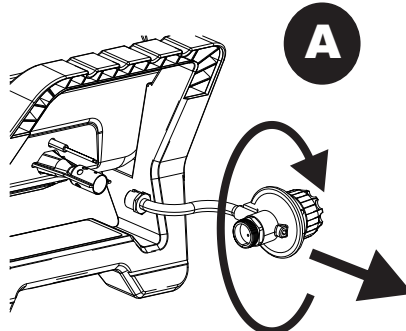
אם החוטים תקינים, בדוק אם האלקטרודה סדוקה או שבורה, החלף לפי הצורך.

אם חוטי החשמל או האלקטרודות מלוכלכים בשיירי מזון, נקה את קצה האלקטרודה באלכוהול ונגב לפי הצורך.

החלף חוטי חשמל לפי הצורך.

אם המצת אינו פועל על אף כל זאת, השתמש בגפרור.

אם המכשיר זקוק לתיקון, צור קשר עם הספק או עם Kriswell A/S. לפרטי הקשר של Kriswell A/S, עיין בעמוד 40.



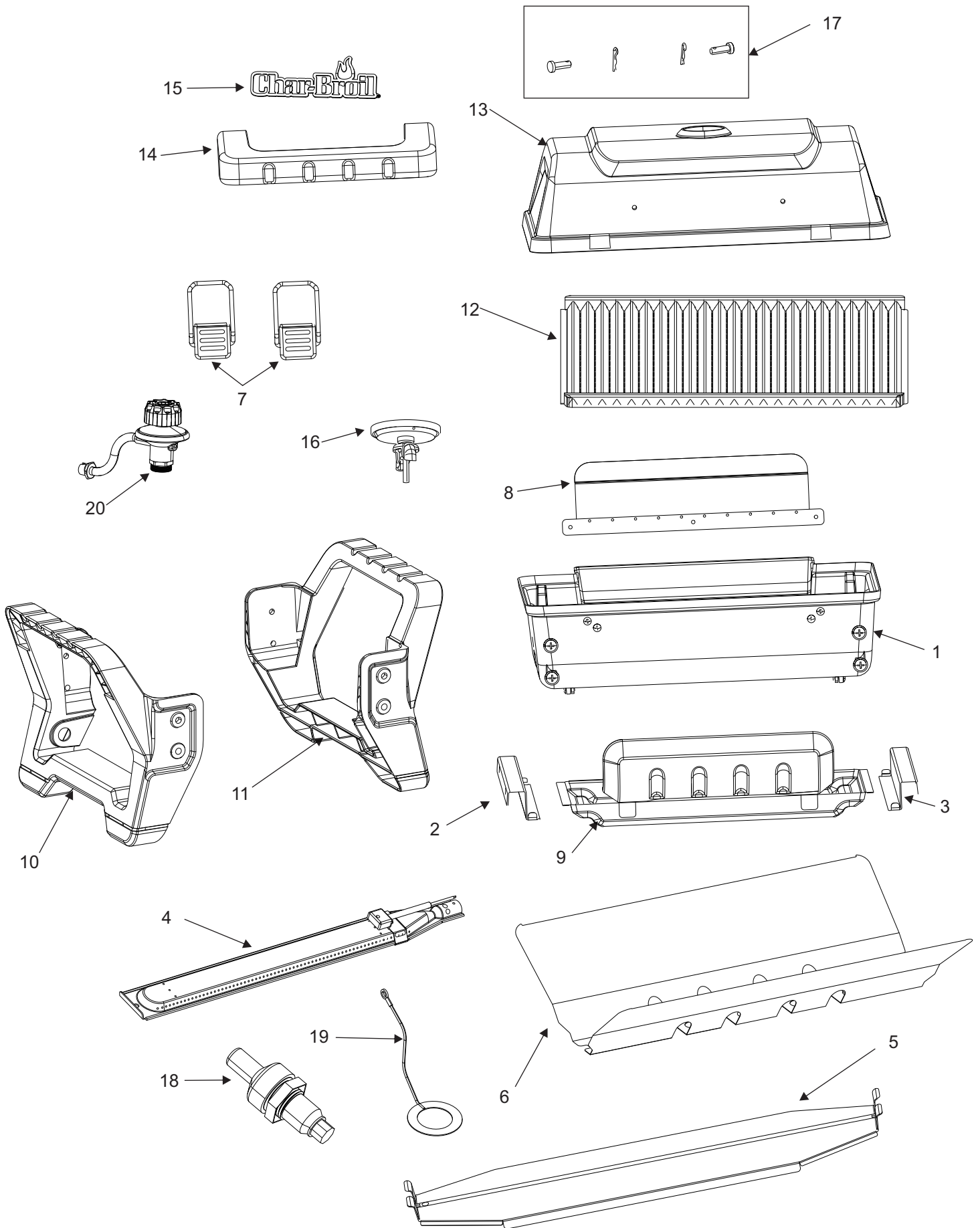
## PARTS LIST

Key	Qty	Description
1	1	FIREBOX
2	1	LEFT, GREASE TRAY RAIL
3	1	RIGHT, GREASE TRAY RAIL
4	1	BURNER, W/ ELECTRODE
5	1	HEAT TENT
6	1	HEAT SHIELD
7	2	LATCH ASSEMBLY
8	1	WIND BARRIER
9	1	GREASE TRAY
10	1	LEG, LEFT
11	1	LEG, RIGHT
12	1	COOKING GRATE
13	1	LID
14	1	HANDLE
15	1	LOGO PLATE
16	1	TEMPERATURE GAUGE
17	1	LID HINGE HARDWARE
18	1	IGNITOR
19	1	GROUND CONNECTOR
20	1	REGULATOR

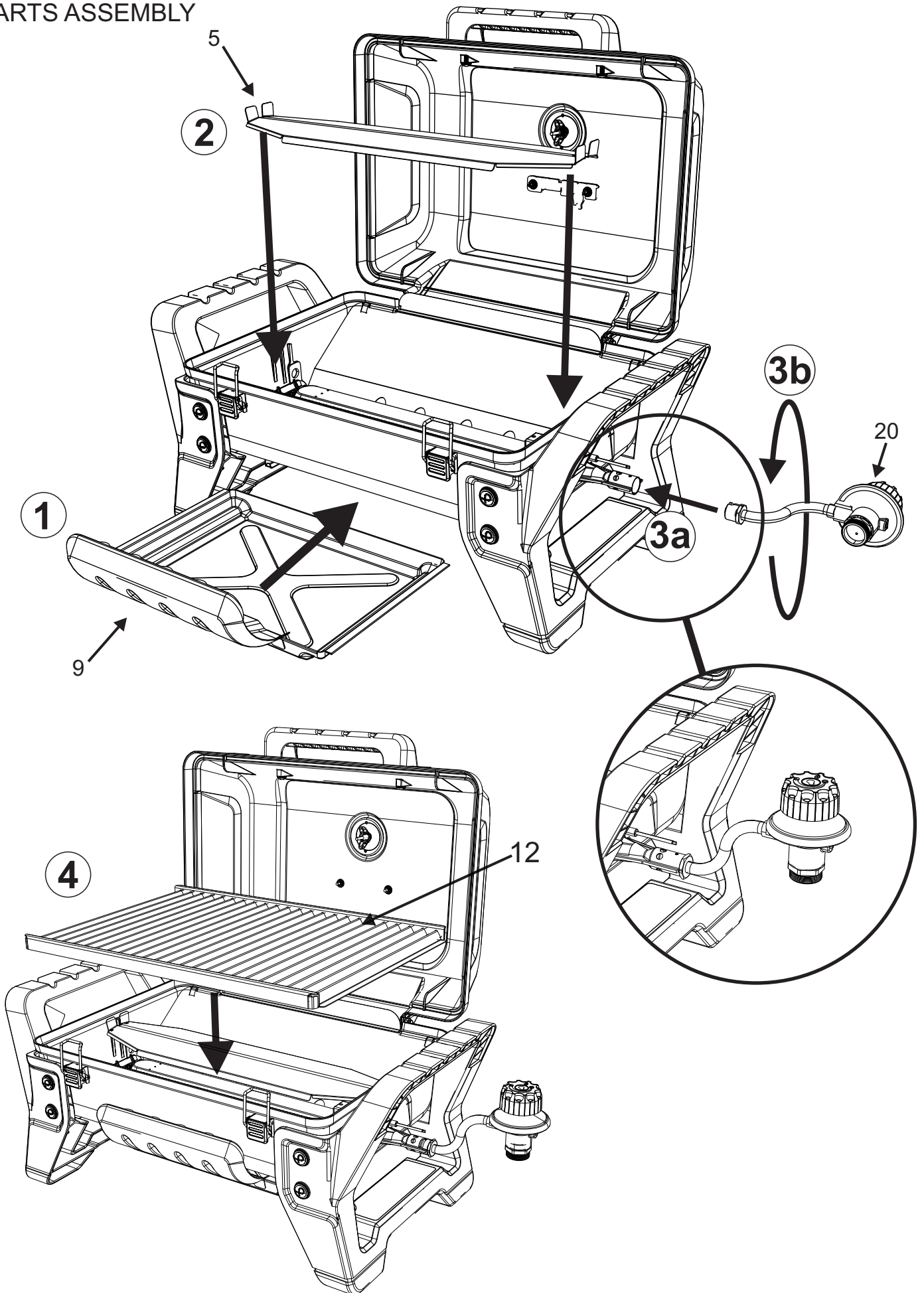
### NOT Pictured

...	1	GRATE CLEANING TOOL
...	1	PRODUCT GUIDE, EURO
...	1	WARNING TAG EURO

# PARTS DIAGRAM



# PARTS ASSEMBLY







**IE** **GB** NOTE: This information is a guide only. Items included in your BBQ specification may differ depending on region or specific dealer specification.

**BE** **CH** **FR** NOTE: Ces renseignements sont donnés à titre indicatif. Il est possible que les articles inclus dans les spécifications de votre barbecue diffèrent selon la région ou les caractéristiques stipulées par le concessionnaire.

**AT** **CH** **DE** ANMERKUNG: Diese Anleitung dient nur zu Informationszwecken. Einzelteile der Grillspezifikation sind unter Umständen verschieden entsprechend der Vertiebsegen oder bestimmten Händleranforderungen.

**CH** **IT** AVVERTENZA: Queste informazioni hanno il valore di guida soltanto. Gli articoli compresi nelle caratteristiche tecniche del barbecue potrebbero variare a seconda della regione o del concessionario.

**LU** **BE** **NL** ATTENTIE: Deze informatie is alleen bedoeld als gids. Onderdelen in uw BBQ specificatie en pakket kunnen per regio of per dealer verschillen.

**SE** ANM.: Denna information är endast avsedd som handledning. Specifikationerna för grillen kan variera regionalt eller beroende på de krav som olika återförsäljare har.

**FI** HUOMATKAA: Nämä tiedot ovat pelkästään suuntaa antavia. ostamanne grillin yksityiskohdat voivat olla erilaiset paikkakunnan tai erityisten myykohtaisten yksityiskohtien mukaan.

**ES** NOTA: Esta información es una guía únicamente. Es posible que las indicaciones incluidas en las especificaciones de su Asador seandiferentes según la región o las especificaciones específicas del representante.

**PT** NOTA: Esta informação é simplesmente um guia. Os itens incluídos na especificação do seu BBQ poderão diferir dependendo da especificação da região ou do vendedor específico.

**DK** NB.: Denne information er kun vejledende. Specifikationer kan variere efter ønske fra forhandler, eller i henhold til nationale regler.

**NO** NB.: Denne informasjon er kun veiledende. Spesifikasjoner kan variere som stipulert av forhandler, eller i henhold til nasjonale krav.

UWAGA: Informacje te służą jedynie, jako wskazówki. Elementy wchodzące w skład specyfikacji twojego grilla mogą się różnić w zależności od regionu lub szczególnych specyfikacji dealera.

**IS** ATHUGIÐ: Þessar upplýsingar eru aðeins leiðbeinandi. Hlutir sem finna má í lýsingu á grilli þínu geta verið mismunandi á milli svæða eða söluaðila.

**RO** NOTĂ: Prezenta informație este numai un ghid. Articolele incluse în specificația BBQ-ului dumneavoastră pot diferi în funcție de zona și specificul distribuitorului.

**CZ** POZNÁMKA: Tyto informace slouží pouze jako instruktaž. Součástí vašeho BBQ. Specifikace se mohou lišit podle regionu/země nebo specifických údajů prodejce.

**SK** POZNÁMKA: Tieto informácie sú len orientačné. Položky, ktoré sú zahrnuté do technických podmienok BBQ, sa môže líšiť v závislosti na regióne alebo technických podmienok príslušného predajcu.

**HE** הערה: מידע זה נועד לייחוס בלבד. הפריטים הכלולים במפרט של מכשיר הגריל שברשותך עשויים להשתנות בהתאם לאזור או לדרישות של מפיץ מסוים.

All specifications are subject to change without notice.

Toutes les caractéristiques sont susceptibles d'être modifiées sans préavis.

Änderungen ohne vorherige Bekanntgabe vorbehalten.

Tutti i dati tecnici possono cambiare senza preavviso.

Alle specificaties kunnen zonder voorafgaande kennisgeving worden gewijzigd.

Kaikki oikeudet teknisten tietojen muutoksiin pidätetään.

Kaikki yksityiskohdat voivat muuttua ilman etta niistä erikseen ilmoitetaan.

Todas las especificaciones estan sujetas a cambios sin previo aviso.

Todas as especificações estão sujeitas a alteração sem aviso.

Alle specifikationer kan ændres foruden varsel.

Spesifikasjoner kan endres utenvarsel.

Wszystkie specyfikacje mogą ulec zmianie bez uprzedzenia.

Allar lýsingar eru háðar breytingum án viðvörunar.

Toate specificațiile sunt supuse modificărilor fără notificare.

Všechny informace mohou být změněny bez předchozího upozornění.

Všetky technické podmínky podliehajú zmenám bez predchádzajúceho upozornenia.

כל המפרטים כפופים לשינויים ללא הודעה.

