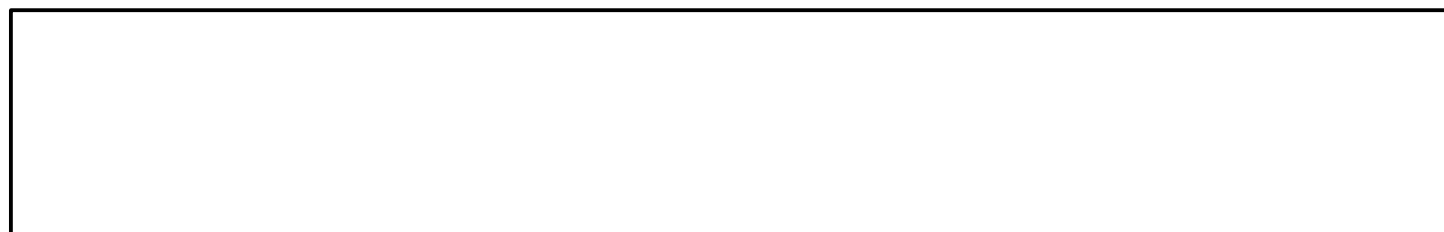
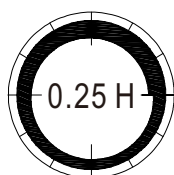
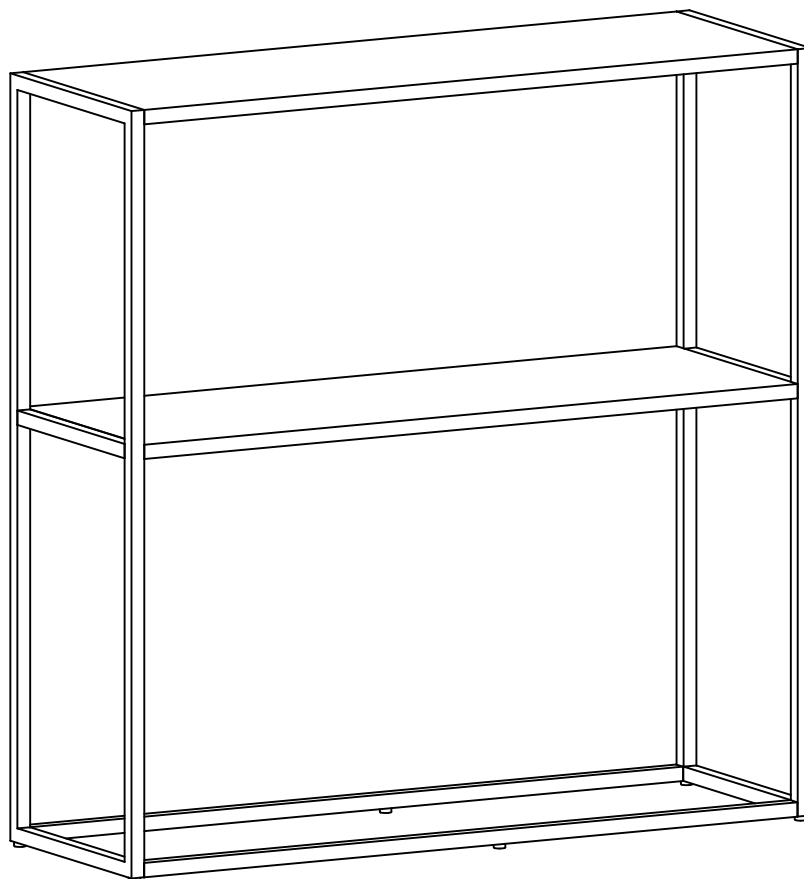
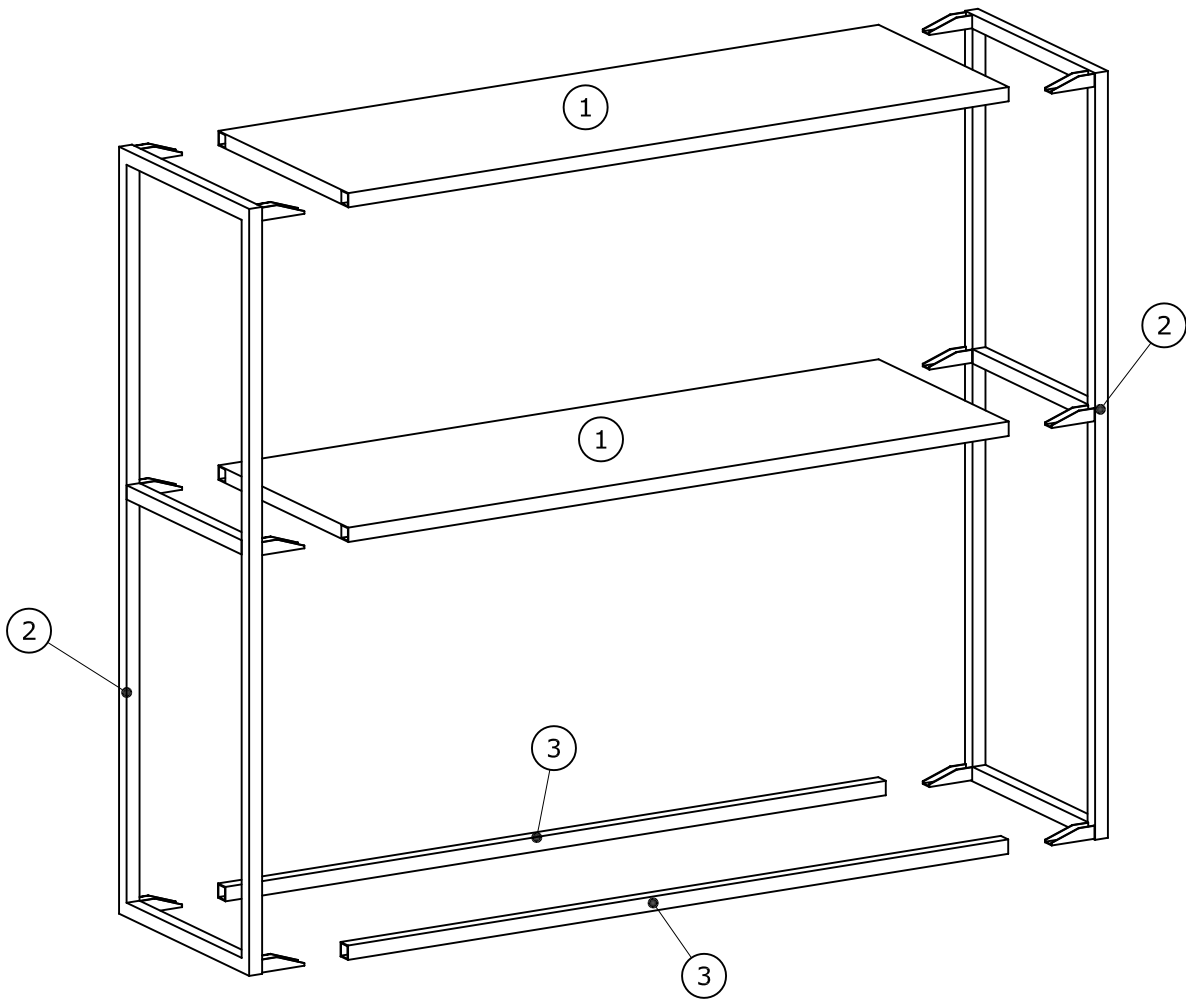


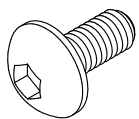
# NEWTON-SHELF UNIT



			✓
①	2	765 x 260 x 15	
②	2	800 x 260 x 60	
③	2	765 x 15 x 15	

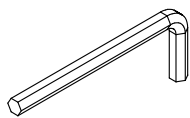


A x 12



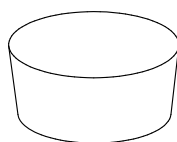
M6x12 mm

B x 1



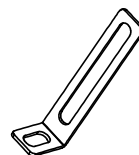
4 mm

C x 6



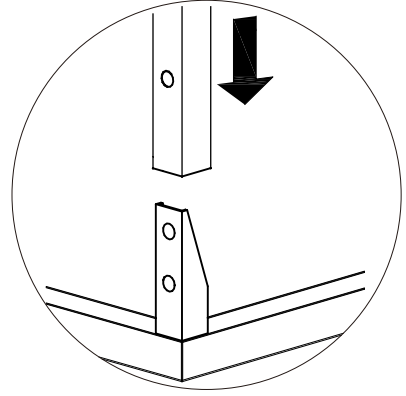
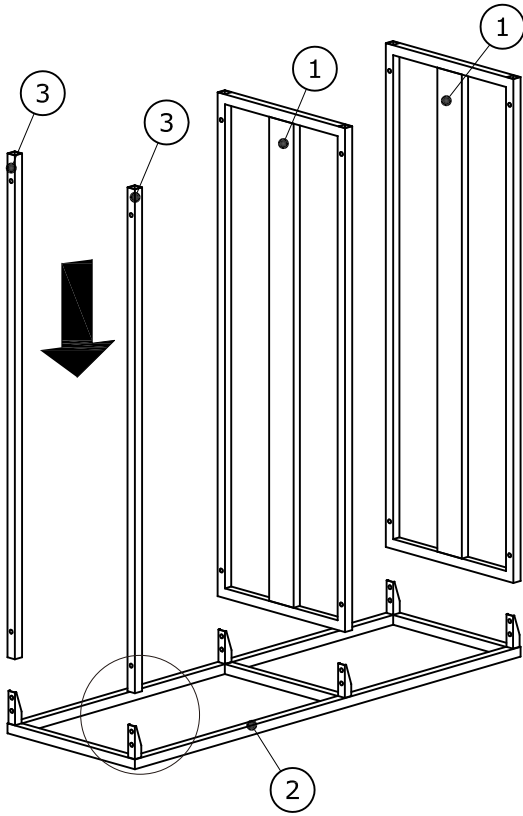
Ø12x5 mm

D x 2

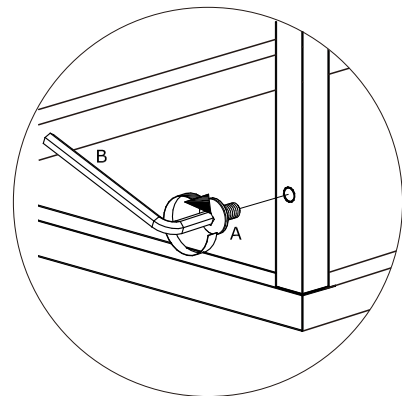
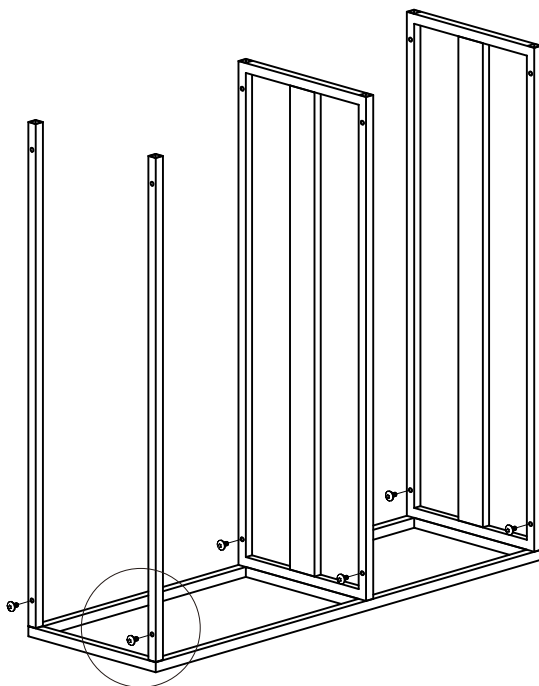
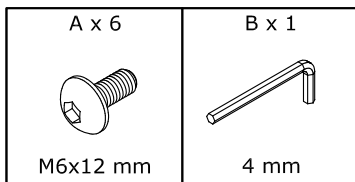


75x25x15mm

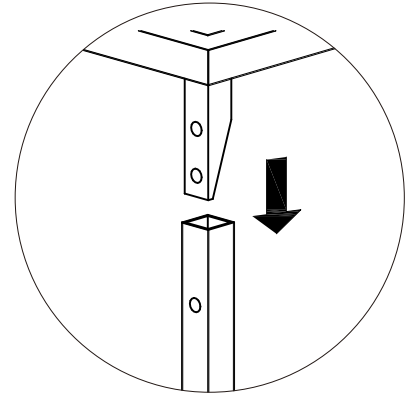
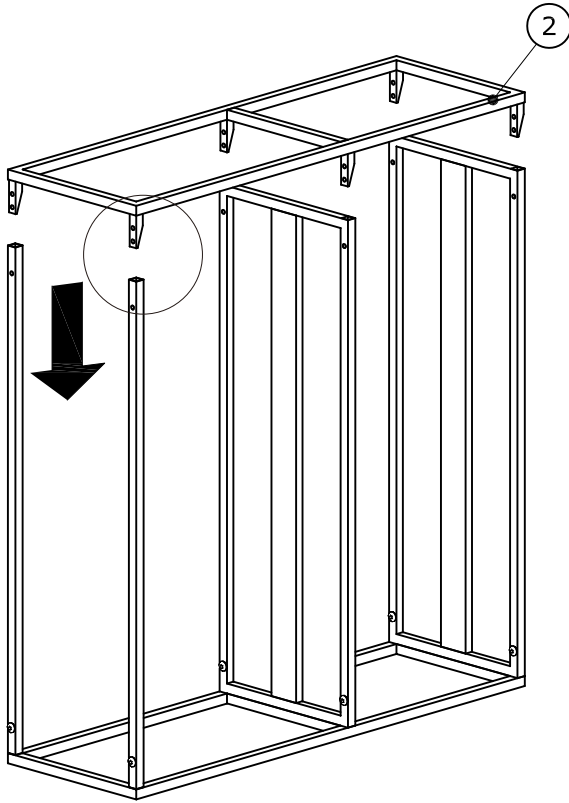
# 1



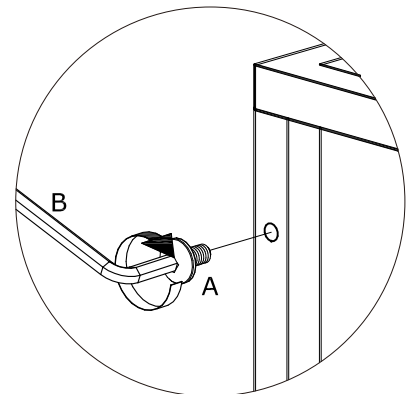
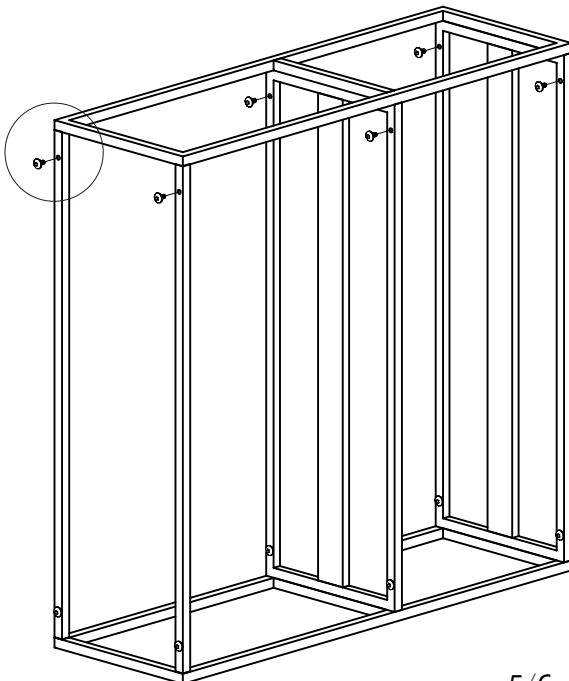
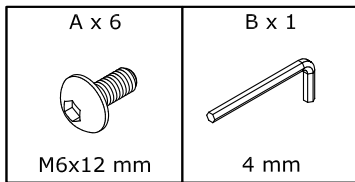
# 2



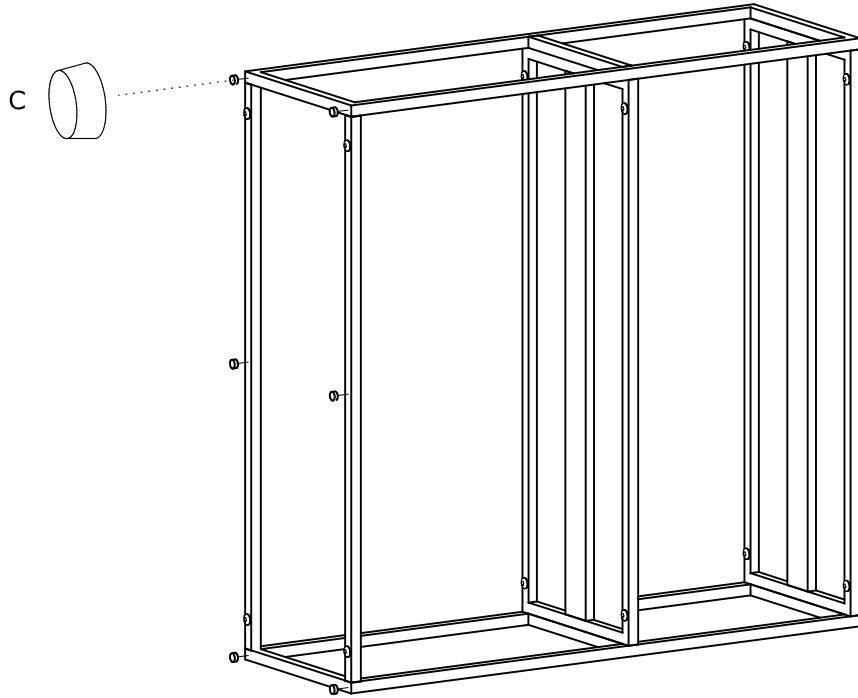
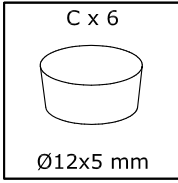
# 3



# 4



# 5



# 6

