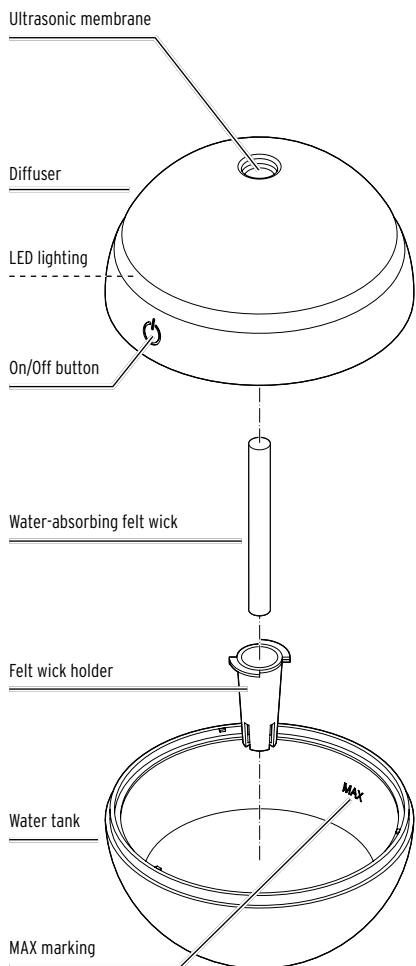


Tchibo

Ultrasonic aroma diffuser

en Instructions for use



Also included (not illustrated):
1x USB connection cable
1x mains adapter
1x spare water-absorbing felt wick

Safety warnings

Read the safety warnings carefully and only use the product as described in these instructions to avoid accidental injury or damage. Keep these instructions for future reference. If you give this product to another person, remember to also include these instructions.

Intended use

The product is designed to provide mood lighting, humidify the room and improve the room fragrance. It is not intended for lighting whole rooms.

The product is designed for private use and is not suitable for commercial purposes.

The product is intended for indoor use.

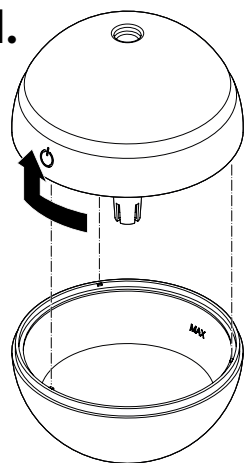
Warning - risks to health

- Consult your doctor before using the appliance if you suffer from a condition affecting your respiratory system or lungs.
- If you feel unwell, get a headache or similar while using the aroma diffuser, switch the appliance off immediately and ventilate the room.
- Only use the appliance with water-soluble fragrances that are specifically intended for appliances of this kind. Other substances can contain toxic or other substances that are harmful to health, that trigger allergic reactions or pose a risk of fire.
- Empty the appliance immediately after use and fill it with fresh water before using it again to prevent germs from forming.

Prior to first use

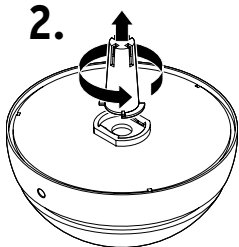
Read the safety instructions first to avoid injury or damage.

1.



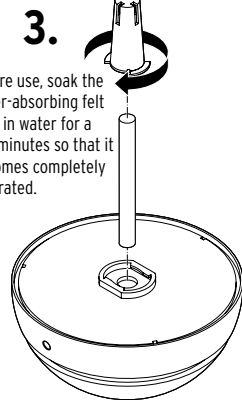
- ▷ Remove the product from its packaging and remove all packaging materials.
- ▷ Turn the diffuser slightly to the left and lift it off the base.

2.



- ▷ Turn the diffuser over.
- ▷ Twist the felt wick holder anti-clockwise as far as it will go and remove it.

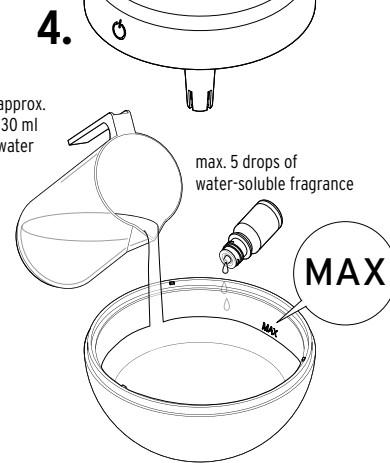
3.



Before use, soak the water-absorbing felt wick in water for a few minutes so that it becomes completely saturated.

- ▷ Insert the water-absorbing felt wick in the opening in the diffuser.
- ▷ Place the felt wick holder over the water-absorbing felt wick and turn the felt wick holder clockwise to lock it.

4.



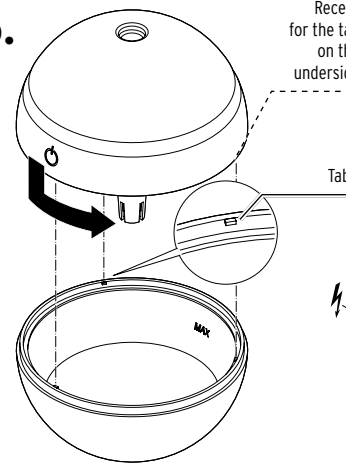
approx. 130 ml water

max. 5 drops of water-soluble fragrance

MAX

- ▷ Fill the water tank with lukewarm water (fresh drinking water or distilled/demineralised water). Maximum fill amount approx. 130 ml.
- ▷ Add a few drops of a water-soluble fragrance (max. 5 drops to 130 ml).

5.

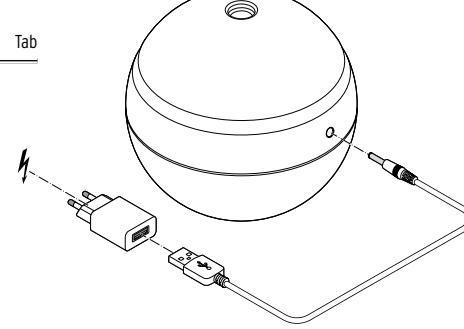


Recess for the tab on the underside

Tab

- ▷ Place the diffuser on the water tank so that the three locking tabs on the water tank locate in the corresponding recesses on the diffuser.
- ▷ Twist the diffuser slightly to the right until it noticeably engages.

6.



- ▷ Insert the connection cable in the appliance and in the enclosed USB mains adapter.
- ▷ Plug the mains adapter into a power socket.

Information on how to switch the appliance on and off, as well as further tips and advice, can be found below in the "Use" section.

- Bear in mind that high humidity levels can promote the growth of biological organisms in the environment.
- Clean the water tank at regular intervals - at least every 72 hours or every 3 days. Any micro-organisms present in the water or in the environment in which the appliance is used or stored can multiply in the water tank and be released into the air, where they pose a significant health risk if the water is not replaced every three days and the water tank is not thoroughly cleaned.
- Empty and clean the appliance before storing it and clean it before the next use.

Danger to children and people with limited ability to operate appliances

- This appliance can be used by children aged 8 and over and by people with reduced physical, sensory or mental capabilities or a lack of experience and/or knowledge, provided they are supervised or have been trained in the safe use of the appliance and understand the potential dangers.
- Children must not be allowed to clean the appliance unless they are over 8 years of age and supervised while doing so. This appliance is maintenance-free. The appliance and connection cable must be kept out of the reach of children under the age of 8 from the time the appliance is switched on until it has cooled down completely.
- Keep packaging materials out of the reach of children. They pose several risks, including the risk of suffocation!

Danger due to electricity

- The water tank is filled with water. The diffuser, the mains adapter and the connection cable must not come into contact with water, as there is a risk of electric shock. You should therefore not place the appliance near to sinks, for example. Never use the appliance outdoors or in rooms with high humidity (e.g. in the sauna or bathroom).
- Never immerse the base in water or other liquids. Water must not be allowed to reach the electrical parts from below.
- Do not operate the appliance with wet hands.
- Dry off any water that overflows immediately so that it cannot come into contact with any electrical parts.
- Only use the mains adapter provided.
- Do not leave the appliance unattended while it is in use.
- Never leave water in the water tank when the appliance is not in use.
- Only connect the product to a properly installed power socket with a voltage that complies with the "Technical specifications" of the product.
- The connection cable must not be kinked or crushed. Keep the connection cable away from hot surfaces and sharp edges.
- Do not operate the appliance if the appliance itself, the mains adapter or the connection cable shows any signs of damage or if the appliance has fallen down.
- Due to the extremely long service life of the light-emitting diodes (LEDs), it is not necessary to replace them. They cannot and must not be replaced.

- Never overfill the water tank. Fill the water tank with at least 65 ml and not more than 130 ml of water.
- Do not operate the appliance without water.
- Remove the mains adapter from the power socket...
... before filling or emptying the water tank,
... when you are not using the appliance,
... if disturbances occur during use,
... during storms and
... before cleaning the appliance. Always pull on the mains adapter, not on the connection cable.
- The power socket must be easily accessible so that you can disconnect the mains adapter quickly if needed. Route the connection cable in such a way that nobody can trip over it.
- Do not make any modifications to the product. Have repairs to the product or mains adapter carried out only by a specialist workshop.

Material damage

- Take care when transporting the appliance while the water tank is full and ensure that no water spills or leaks out and comes into contact with the electrical components.
- Never remove the diffuser while the appliance is in operation. Always switch the appliance off first. Only then should you take the cover off.
- Do not place the product on hot surfaces.
- We recommend using distilled (demineralised) water in order to avoid limescale deposits inside the appliance. Alternatively, you can also fill the tank with clean, fresh tap water (drinking water quality).
- Do not use water warmer than +45 °C in the appliance.
- Do not use dirty water. This could damage the appliance.
- Place the appliance on a solid, level surface that is resistant to moisture. Precipitation/deposits may occur, especially when operating the appliance with relatively hard water or with the addition of fragrances.
- Do not place the appliance directly beneath a shelf, wall-mounted cupboard or immediately next to other sensitive objects. Do not point the vapour outlet at any objects. The vapour may cause damage.
- Avoid water damage: always empty the appliance immediately after using it. Do not place it on the floor, but on a slightly raised surface. Make sure that it cannot tip over or be pulled down. Even when it is switched off, there may still be residual water inside and this may leak out.
- Ensure that the area around the aroma diffuser does not become damp or wet. If moisture does form, it is recommended to use the appliance at intervals rather than continuously. Position the appliance in such a way that the vapour emitted does not come into direct contact with absorbent materials such as carpets, curtains or tablecloths.
- Essential oils (e.g. eucalyptus oil) must not be used, as they can damage the product. Use only water-soluble fragrances.
- Use only the accessories that are intended for the appliance and supplied by the manufacturer.

- Do not cover the appliance, e.g. with a towel, and do not operate it under a blanket or cushion.
- Do not expose the product to naked flames, water, damp surroundings, high temperatures, direct sunlight, etc. Protect the product from impacts, vibrations and other forms of mechanical shock.
- Some varnishes, synthetic substances and furniture polishes may react adversely to the material of the non-slip underside and soften it. To avoid unwanted marks on furniture, place a non-slip mat underneath the product if necessary.
- Do not use any caustic chemicals, or aggressive or abrasive detergents for cleaning.

Use

- ▷ Place the appliance on a firm, level surface that is not sensitive to moisture.

WARNING - risk of injury
• Use only water-soluble fragrances.

NOTICE - material damage
• Always switch off the appliance before removing the diffuser to refill the water tank.

WARNING - damage to health
• Fill the water tank with fresh water before each use to prevent germs from forming.

- If you add a fragrance to the water tank, condensation may form around the appliance during use.
- Water-soluble fragrances can be obtained from retailers. Please seek advice from a specialist retailer if necessary. Observe the manufacturer's instructions.

Switching on/off

WARNING - damage to health
• If you start to feel unwell or get a headache or anything similar while using the appliance, switch it off immediately and air out the room.

- ▷ Press the On/Off button ...
... **1x** to activate mist and the colour-changing light.
... **2x** to switch off the colour-changing light.
... **3x** to switch the appliance off.

- The appliance switches off automatically after approx. 3 hours.

After use

WARNING - damage to health
• To prevent the formation of germs, ...
... empty the appliance immediately after using it.
... after use, rinse the water-absorbing felt wick under running water and allow it to dry thoroughly.

DANGER - risk of fatal electric shock
• The diffuser, the mains adapter and the connection cable must never be immersed in water or other liquids, as there is a risk of electric shock.

NOTICE - material damage
• Do not use any caustic, aggressive or abrasive products for cleaning.

Pouring the water out

1. Switch the diffuser off and disconnect it from the mains, if plugged in, before removing the diffuser to empty the water tank.
2. Pour the used water down the drain.

Cleaning

- ▷ Wipe the appliance - especially the underside of the diffuser and the water tank (**but not the ultrasonic membrane**) - with a soft, slightly damp cloth after each use.
- ▷ Clean the sensitive ultrasonic membrane with a cotton wool pad.
- ▷ For thorough cleaning, fill the water tank with approx. 120 ml lukewarm water and 1 teaspoon of household vinegar. Leave the mixture in the tank for approx. 5 minutes and then pour it out. Then wipe out the water tank with a soft, slightly damp cloth.
- ▷ When not in use, store the product in a cool, dry location and out of the reach of children.

Technical specifications

Model:	727 088
Mains adapter:	
Manufacturer:	Guangdong Sangu Technology Co., Ltd 402, Chuangye building, 8-28, Shaqi community Central Road, Xinqiao street, Bao'an District, Shenzhen, Guangdong, China
Model:	SG-0501000AE
Input:	AC 100-240V ~ 50/60 Hz
Output:	5.0 V 1 A, 5 W (the symbol indicates direct current)
Average efficiency in operation:	≥ 74.05 %
No-load power consumption:	≤ 0.05 W
Protection class:	II

Light source: 7 colour LEDs
Water tank capacity: 130 ml
Suitable for rooms up to 15 m²
Ambient temperature: +10 to +40 °C

Made exclusively for:
Tchibo GmbH, Überseering 18,
22297 Hamburg, Germany

Disposal

The product and its packaging have been manufactured from valuable materials that can be recycled. Recycling reduces the amount of refuse and preserves the environment.

Dispose of the **packaging** at a recycling point that sorts materials by type. Make use of the local facilities provided for collecting paper, cardboard and lightweight packaging.

Appliances marked with this symbol must not be disposed of along with normal household waste! You are legally obliged to dispose of old appliances separately from household waste.

Electronic appliances contain hazardous substances and, if stored or disposed of improperly, may cause harm to health and the environment. Information about collection points where old appliances can be disposed of free of charge is available from your local authorities.

Product number: 727 088