

Product number:
751 393

Safety warnings 

Read the safety warnings carefully and only use the product as described in these instructions to avoid accidental injury or damage. Keep these instructions for future reference. If you give this product to another person, remember to also include these instructions.

The mosquito net is designed to fit over a double mattress with a surface area not exceeding 180 x 200 cm. It is designed for a maximum ceiling height of 230 cm. The LED ring is only suitable for decoration and not for lighting whole rooms. The product is designed for indoor use.

The product is designed for private use and is not suitable for commercial purposes.

• **Never use this product for babies or small children. WARNING! Risk of strangulation and entanglement.**

• Keep small children away from the product at all times, as they might try to pull themselves up on it.

• Keep all assembly components and packaging materials out of the reach of children. Small swallowable parts pose several risks, including the risk of choking!

The remote control contains a lithium battery (coin battery). There is a risk of leakage, gas emissions, explosion and fire:

• Swallowing batteries can be fatal. The remote control is fitted with a lithium coin battery. Swallowing the coin battery or one of the other batteries can cause severe internal chemical burns and even death within 2 hours. For this reason, keep both new and old batteries, the product and its remote control unit out of the reach of children. If one of the battery compartments does not close properly, discontinue use of the product and keep it out of the reach of children. If you think that a battery has been swallowed or has got into the body in any other way, seek medical advice immediately.

• Warning! Lithium batteries can explode if inserted incorrectly. It is therefore essential to ensure that the polarity (+/-) is correct when inserting the lithium coin battery and the other batteries. Use only batteries of the same or an equivalent type (see "Technical specifications").

• If necessary, clean the battery and device contacts before inserting the battery. Risk of overheating!

• Single-use batteries must not be charged, taken apart, thrown into fire or short-circuited. Do not modify and/or deform/heat/dismantle single-use batteries. Do not allow damaged batteries to come into contact with water.

• Batteries must not be overdischarged. Keep unused batteries in the original packaging. Do not bring unpacked batteries (both new and partially/fully used) into contact with each other and keep them away from metal objects.

• Always replace all batteries at the same time. Do not mix old and new batteries, different types or brands of batteries, or batteries with different capacities.

• Protect batteries from excessive heat (heaters, direct sunlight). Remove the batteries from the product and its remote control unit when they are flat or if you do not intend to use the product for a longer period of time. This will help prevent damage caused by leakage.

• If a battery has leaked, avoid all contact with your skin, eyes and mucous membranes. Rinse the affected areas with plenty of clear water if necessary and consult a doctor immediately.

• The mosquito net is made of flammable material. This means you must keep it away from strong heat sources, such as heaters, and from naked flames of any kind, such as candles.

• The product must not be electrically connected to other fairy lights or anything similar.

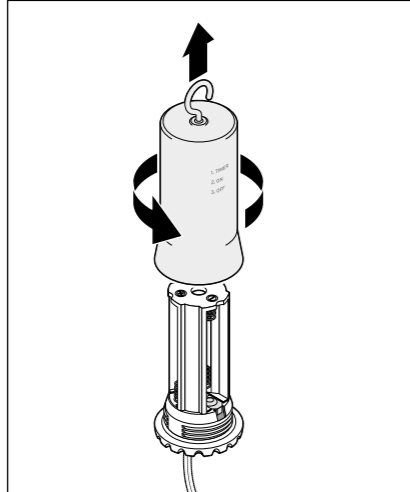
• The LEDs are built in and cannot and must not be replaced.

• Do not switch the product on while it is still in its packaging and do not cover it when it is in use.

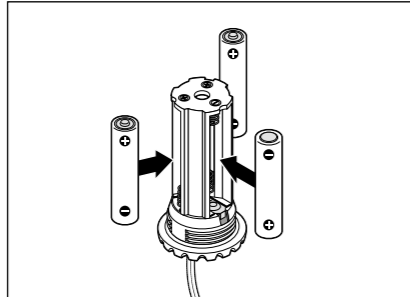
- For attaching to the ceiling with the adhesive pad:
 - Check regularly that the adhesive pad is firmly attached to the surface.
 - Avoid attaching the adhesive pad to sensitive surfaces if you want to remove it later. When removing the adhesive pad, the coating, wallpaper or other finish may come away from the surface.
- For attaching to the ceiling with a wall plug:
 - Make sure there are no pipes or cables running through where you intend to drill the holes!
 - The supplied mounting materials (screw hook and wall plug) are suitable for standard ceilings. Before installation, find out which mounting materials are suitable for your ceiling and, if necessary, replace them.

Prior to first use

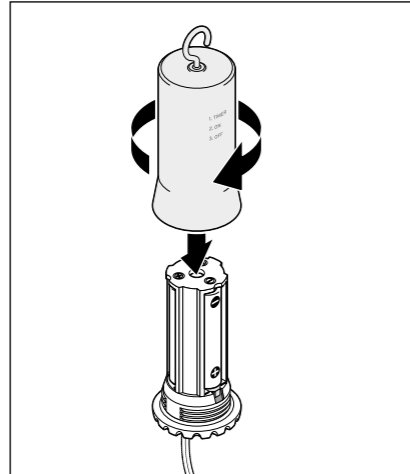
Inserting batteries into the product



1. Twist the cover anti-clockwise to remove it from the battery holder.



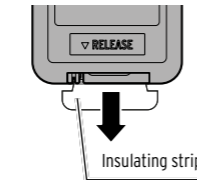
2. Insert the batteries into the holder as illustrated. Ensure the polarity is correct (+/-).



3. Now twist the cover back onto the battery holder clockwise as far as it will go.

Activating the remote control

Upon delivery, the remote control is fitted with an insulation strip to protect the battery.



▷ To activate the remote control, pull the insulating strip out of the battery compartment.

▷ Remove the protective film from the front of the remote control.

Installation

You can attach the screw hook to the ceiling either with the adhesive pad supplied (option A) or with a wall plug (option B, standard wall plug included with the product). To ensure that the net hangs evenly, position the hook as centrally as possible above the bed. Mark the desired spot beforehand with a pencil.

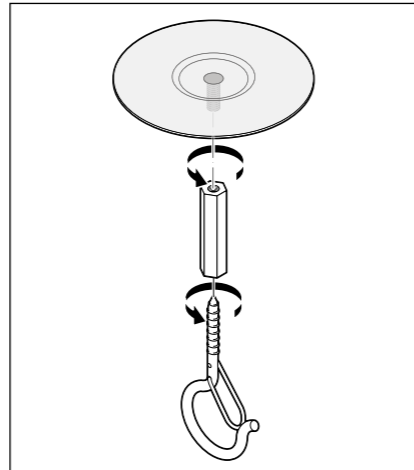
Option A: with the adhesive pad

Bear in mind:

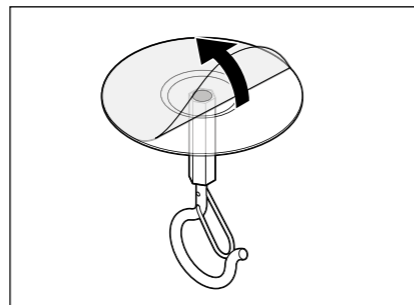
- The adhesive pad is designed for single use. Therefore measure exactly where you want to place the hook before sticking it on.
- The adhesive pad adheres to all smooth, flat surfaces. Uneven, textured, highly porous or painted surfaces, and oiled wood surfaces, are **not suitable**.
- To ensure that the adhesive pad sticks well, the surface must be clean, dry and free of dust and grease.
- If you do decide to remove the adhesive pad later on, some adhesive residue may remain on the surface or the coating, wallpaper, etc. may detach from the surface.
- The best adhesive strength can be attained at temperatures between 23 °C and 40 °C.
- The adhesive pad is intended exclusively for hanging up the mosquito net. Do not hang any other objects on it.
- Load-bearing capacity: max. 1 kg

Attaching the adhesive pad

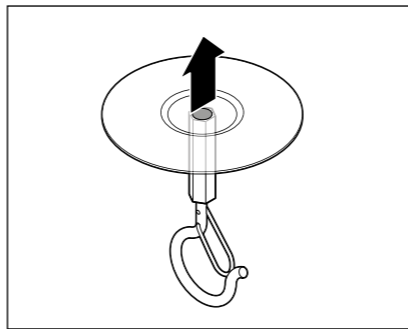
1. Clean the surface if necessary.



2. Turn the screw hook clockwise as far as it will go into the connector and turn the connector onto the threaded pin on the adhesive pad.




3. Remove the protective film on the back of the adhesive pad and ...



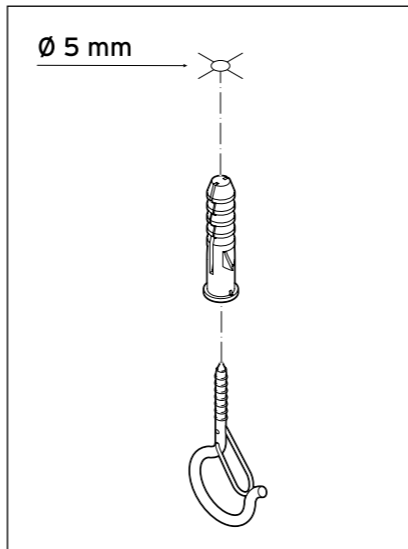
4. ... press the adhesive pad firmly onto the desired location for approx. 10 seconds. Smooth the film around the hook into place and press on the hook itself too. After approx. 30 minutes, press the adhesive pad on again for approx. 10 seconds.

5. **Wait 24 hours**, then the adhesive pad is ready for use.

Option B: with a wall plug

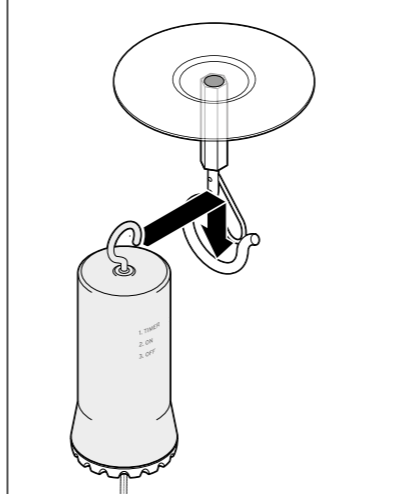
 **DANGER** - risk of fatal electric shock

• Make sure there are no pipes or wires behind where you are planning on drilling the holes.

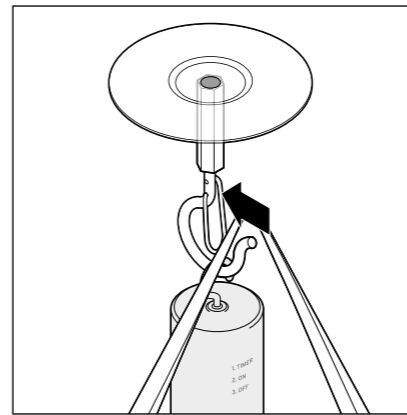


▷ Drill a hole for the plug (ø 5 mm), insert the plug and turn the screw hook clockwise as far as possible into the plug.

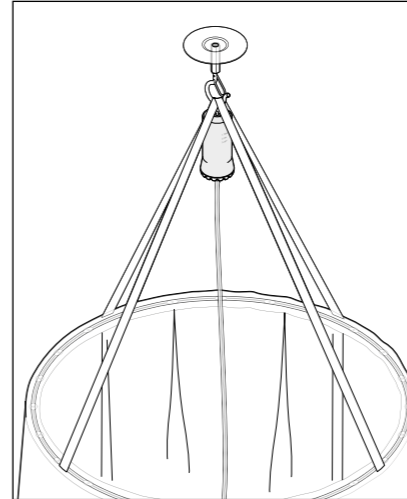
Hanging up the mosquito net



1. First, hang the battery compartment on the hook.




2. Next, press in the clamp bracket to fit the two straps over the hook as shown. Then allow the clamp bracket to spring back to its original position to secure the straps to the hook.



3. Drape the straps decoratively over the battery compartment.

Use

Using the mosquito net

 **DANGER to children** - risk of death due to strangulation

• Never use the mosquito net for babies and small children! They can become entangled in the net and strangle themselves. Keep small children away from the net.

 **WARNING** - risk of fire

• The mosquito net is made of flammable material. This means you must keep it away from strong heat sources, such as heaters, and from naked flames of any kind, such as candles.

▷ Close the mosquito net by overlapping the fabric. Keep the mosquito net closed at all times, **both at night and during the day**, so that no insects can fly in.

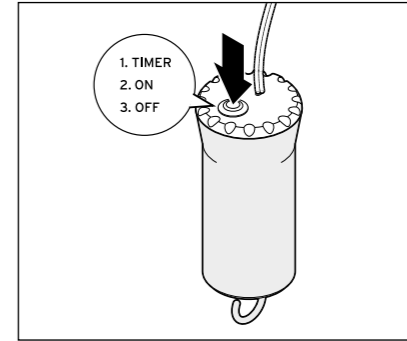
▷ Bear in mind that mosquitoes can bite through the mesh of the mosquito net. As a result, keep a distance of a few centimetres from the net if possible. If necessary, spray the mosquito net from the outside with a suitable insect repellent. You can obtain this from specialist retailers or pharmacies.

Switching the LEDs on and off, timer function

The LEDs can be switched on and off using either the On/Off switch on the battery compartment or the remote control. The same applies to the timer function.

Timer function: The LEDs are turned on and off as follows: ON: 6 hours - OFF: 18 hours - ON: 6 hours, and so on.

With the On/Off switch on the battery compartment



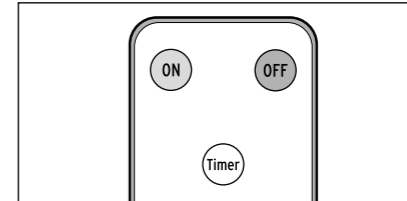
▷ Press the On/Off switch ...

- ... **1x** to switch the LEDs on with the timer function.
- ... **2x** to switch the LEDs on continuously.
- ... **3x** to switch the LEDs off.

With the remote control



- The remote control has a range of 5 m and must be positioned at an angle of 110° from the infrared receiver on the battery compartment for its signals to be received.
- Always point the remote control towards the battery compartment - not the LED ring!
- Ensure there are no objects blocking the space between the remote control and the battery compartment.
- Avoid bright light, such as direct sunlight and bright neon light. This can interfere with the transmission of infrared rays.

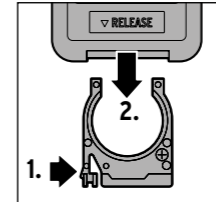


1. Press the **ON** button to switch the LEDs on continuously.
2. **Then** press the **Timer** button to activate the timer function.
3. Press the **OFF** button to switch the LEDs off.

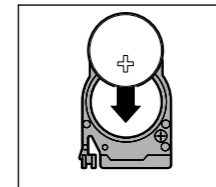
Replacing the battery in the remote control

The battery must be replaced when the LEDs stop responding to the remote control. You need a coin battery of type CR2025, 3 V.

The battery compartment is located on the back of the remote control.



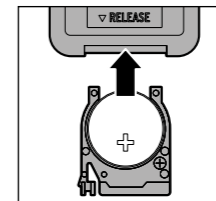
1. Press the small lever in and pull out the battery holder.



2. Replace the flat battery with a new one. When doing so, make sure that the polarity is correct (+ symbol facing upwards).



Touching the battery with bare hands may cause contamination on the contacts, and this may have an insulating effect. Therefore, use a dry, soft cloth to insert the battery.



3. Push the battery holder back in completely. You must hear and feel it click into place.

Cleaning

- ▷ Instructions for care of the mosquito net are to be found on the care label attached to the net.
- ▷ Wipe the remote control and battery compartment including the On/Off switch with a dry, soft and lint-free cloth as needed.

Technical specifications


Product number:	751 393
Single-use batteries:	LED mosquito net: 3x LR6 (AA) / 1.5V (Zn/MnO ₂) Remote control: 1x CR2025 / 3V (Li/MnO ₂) Watt-hour rating: 0.42 Wh (tested as per UN 38.3)
Light source:	42 LEDs
Light duration (with 1 set of batteries):	approx. 200 hours
Mesh material:	polyester
Mesh density:	42 holes/cm ²
Hole size:	1.4mm x 1.7mm
Ambient temperature:	+10 to +40 °C
Made exclusively for:	Tchibo GmbH, Überseering 18, 22297 Hamburg, Germany

In the course of product improvement, we reserve the right to make technical and visual modifications to the product.

Disposal

The product, its packaging and the supplied batteries have been manufactured from valuable materials that can be recycled. Recycling reduces the amount of refuse and preserves the environment.

Dispose of the **packaging** at a recycling point that sorts materials by type. Make use of the local facilities provided for collecting paper, cardboard and lightweight packaging.

 **Devices, single-use batteries and rechargeable batteries** marked with this symbol must not be disposed of along with household waste! You are legally obliged to dispose of old devices separately from household waste. Electronic devices contain hazardous substances and, if stored or disposed of improperly, may cause harm to health and the environment.

Information about collection points where old devices can be disposed of free of charge is available from your local authorities. Flat single-use and rechargeable batteries must be handed in at a local authority collection point or returned to a battery retailer. Tape off the contacts of lithium single-use/rechargeable batteries prior to disposal.

Information about the supplied batteries

Manufacturer: CHANGZHOU ANYIDA POWER TECHNOLOGY Co., Ltd., No.1 East Road, Lou Xia Industrial Park, Rulin Town, Jintan District, Changzhou, Jiangsu Province, PEOPLE'S REPUBLIC OF CHINA
 www.anyidapower.com
 Email: zoey@anyida-power.com
 Model: ANYIDA CR2025 size 3V / LR6 (AA)/1.5V
 Manufacturing date: 2026/01