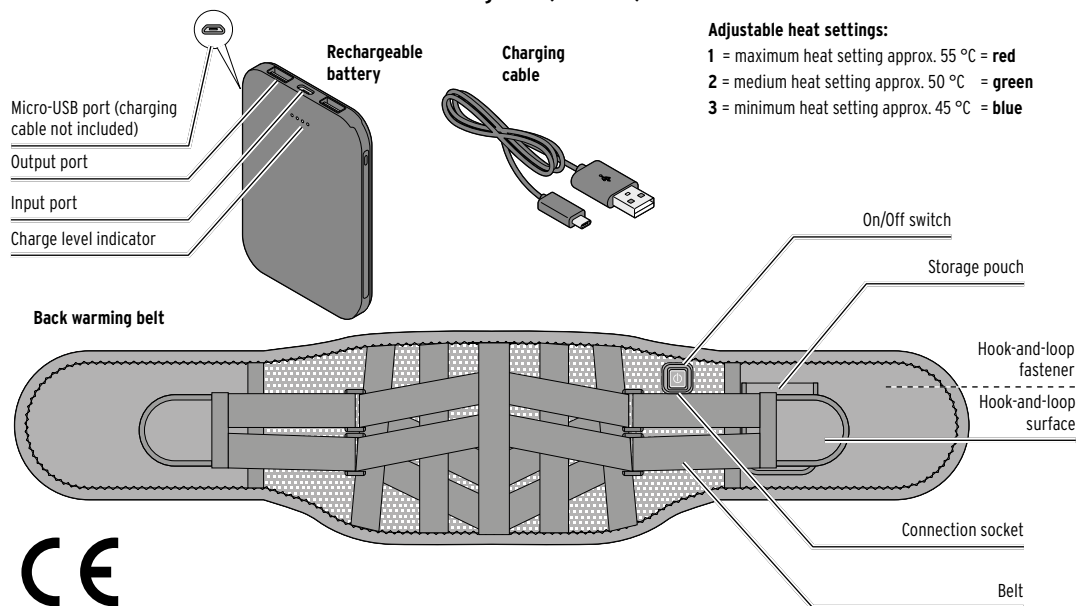


At a glance (contents)



Adjustable heat settings:

- 1 = maximum heat setting approx. 55 °C = **red**
- 2 = medium heat setting approx. 50 °C = **green**
- 3 = minimum heat setting approx. 45 °C = **blue**



Dear Customer

The warmth emitted by your new back warming belt is just the thing for relaxing tense muscles or simply warming yourself up and unwinding.

Thanks to the belt's rechargeable battery, you have maximum freedom of movement when using it. You can also choose to wear the belt under your clothing. However, do not use it directly on bare skin.

Your Tchibo Team

The product is a heating device that fits snugly around the body. It uses very little electricity and takes around 15-20 minutes to reach the correct temperature. When checking the temperature, bear in mind that a temperature that feels lukewarm to your hand may well feel uncomfortably hot when applied to other parts of your body.

About these instructions

This product is equipped with safety features. Nevertheless, read the safety warnings carefully and only use the product as described in these instructions to avoid accidental injury or damage.

Keep these instructions for future reference. If you give this product to another person, remember to also include these instructions.

Symbols used in these instructions:

- This symbol warns you about the risk of injury.
- This symbol warns you about the risk of injury caused by electricity.

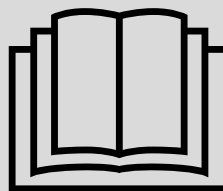
Signal words used in these instructions:

- DANGER** warns about the imminent risk of serious or fatal injury.
- WARNING** warns about the potential risk of serious or fatal injury.
- NOTICE** warns about the potential risk of material damage.

This indicates additional information.

Symbols on the back warming belt that must be observed

- Read notes and instructions for use
- Do not pierce with needles or anything similar
- Do not use when folded or crumpled
- Not suitable for children under the age of 3
- Do not wash



Read the instructions! Important information - keep for future reference!

- Do not bleach
- Do not iron
- Do not dry clean
- Do not dry in a tumble dryer

For your safety

Intended use

This back warming belt is designed for home use as described in these instructions.

It is not suitable for use in hospitals, clinics, etc.

The back warming belt may be used by children if the safety instructions in the section "Danger to children and people with limited ability to operate devices" are observed.

However, as the belt's fit has not been designed for a child's body, we recommend using it only for persons aged 18 and over.

The back warming belt is not a medical device.

Danger to children and people with limited ability to operate devices

- This device must not be used by children aged between 0 and 3 years as children of this age cannot indicate that they are too hot.
- Children aged between 3 and 8 years may use this device only if they are continually supervised by their parents or another adult when doing so, and if the device is kept at the lowest heat setting at minimum temperature.
- This device can be used by children aged 8 and over and by people with reduced physical, sensory or mental capabilities or a lack of experience and/or knowledge, provided they are supervised or have been trained in the safe use of the device and understand the potential dangers.
- Children must not be allowed to play with the device.
- Cleaning and maintenance must not be carried out by children without supervision.
- Keep packaging materials out of the reach of children. They pose several risks, including the risk of suffocation!

Danger to life for persons with pacemakers

If you have a pacemaker, please be aware that the electromagnetic fields emanating from this electric product may, under certain circumstances, interfere with the functions of your pacemaker. The strength of these fields is however well below the applicable limits. Therefore, ask your doctor and the manufacturer of the pacemaker for advice before using this product.

The back warming belt should not be used by ...

...people who are unable to feel heat properly. Small children react more sensitively to heat than adults.

Taking certain medicines, or suffering from certain diseases, such as diabetes, may lead to disturbances in the sensory perception of temperature. Frail or sick people or those with special needs may not be able to call for help if they feel too warm.

... children younger than 3 years, people who are unable to help themselves, the sick or anyone who is unable to sense heat properly,

... pets or other animals.

If in doubt, or if the user suffers from circulatory problems, consult your doctor before use.

If you feel unwell or have any other complaints while using the product, discontinue use. If necessary, contact a doctor.

Danger of electric shock due to moisture

- Do not immerse the product, the rechargeable battery or the charging cable in water or any other liquids, as this poses a risk of electric shock.
- Do not charge the product outdoors or in rooms with high humidity.
- Do not charge the rechargeable battery in the bathroom or in the vicinity of washbasins or containers filled with liquid (e.g. vases).

Danger due to electricity

- To charge the product, only plug it into a power socket which has been properly installed and which complies with the technical specifications of the device.
- Use only suitable mains adapters for charging the product (see "Technical specifications").
- Do not use or attempt to repair a faulty mains adapter.
- The power socket must be easily accessible so that you can disconnect the mains adapter quickly if needed. Route the charging cable in such a way that it is not a tripping hazard.
- Unplug the mains adapter from the power socket if malfunctions occur while charging, after charging and during thunderstorms. Always pull on the mains adapter, not on the charging cable.
- Do not insert any pointed objects such as safety pins or anything similar into the back warming belt.
- Keep the product and the charging cable away from hot surfaces and sharp edges.
- Do not use the product if any part of the product shows signs of damage or if the battery has fallen down.
- Do not make any modifications to the product. Have repairs to the product carried out only by a specialist workshop. Improper repairs can result in considerable danger to the user.

Danger due to fire / explosion

- Do not use any sprays or aerosols near the product. In unfavourable conditions, the spray may ignite.
- To avoid parts of the device overheating and suffering damage, only use the back warming belt when it is unfolded. It must never be used when it is doubled up or crumpled and must never be sharply bent.
- This product is equipped with a thermal switch to protect it from overheating. If the switch turns off the product, leave the product to cool to room temperature before switching it back on again.

- Make sure that you do not fall asleep during use. If you become very tired during use, or if you want to use the product for a longer period of time, select the lowest heat setting as a precaution.

- Use the back warming belt only together with the rechargeable battery provided. Use the rechargeable battery provided only in connection with this belt.

- The battery becomes warm while it is charging. Do not cover the battery while it is charging.

Danger of burns

- Prolonged use at the highest setting may cause skin irritation or burns. If you want to use the product for a longer period of time, select the lowest setting as a precaution.

- To avoid burn injuries to the skin, test the temperature prior to use with the back of your hand (not the palm, as this is less sensitive than other parts of the body).

- Do not use the product directly on your skin. Ensure that the product is used over at least one layer of clothing.

Material damage

- The product is subject to wear and tear. You should therefore always check it for signs of wear or damage before each use. If you discover signs of damage, have the product inspected at a specialist workshop before using it again.

- Keep sharp and pointed objects (e.g. jewellery, belt buckles etc.) away from the back warming belt.

- Always store the product in a cool, dry place where it is protected from other sources of heat. Do not place any heavy items on top of the belt.

- Do not use any caustic, aggressive or abrasive products for cleaning.

Information on the rechargeable battery:

- The product contains a lithium-ion rechargeable battery. This must not be taken apart, thrown into a fire or short-circuited.

- Do not modify and/or deform/heat/dismantle rechargeable batteries. Do not forcibly discharge the battery.

- Keep the battery out of the reach of children.

- Do not attempt to disassemble or reassemble the battery.

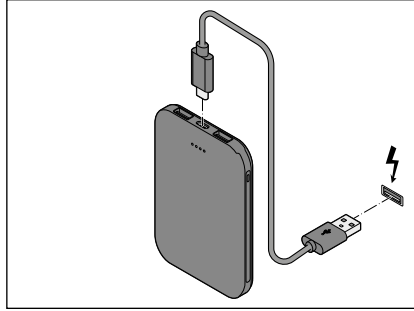
- Dispose of the battery as described in the chapter "Disposal".

Use

Charging the battery

If possible, charge the battery fully before each use.

1. Remove the rechargeable battery from the pouch on the belt.



2. Insert the small plug on the charging cable provided into the input port on the rechargeable battery.
3. Connect the large plug on the charging cable to a suitable USB mains adapter (not included, see "Technical specifications").
4. Insert the mains adapter into a power socket.

The charge level indicator displays the charging status of the battery:

- ○ ○ ○ 25%
- ● ○ ○ 50%
- ● ● ○ 75%
- ● ● ● 100%

LED extinguished: = battery is flat

LED is flashing = charging

LED is glowing continually = charged.

When the battery is fully charged, all four LEDs will light up.

Charging time: max. 4 hours (at 2 A)

Operating time (with fully charged battery): approx. 2 hours on highest heat setting

i The LEDs go out approximately 30 seconds after the charging cable has been disconnected from the battery.

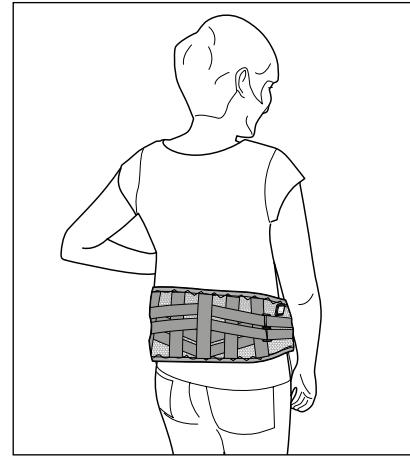
5. When the battery is fully charged, disconnect the USB mains adapter from the socket and the charging cable from the rechargeable battery.

6. Place the rechargeable battery back into the pouch on the belt.

i If the product has not been used for an extended period, the rechargeable battery may have discharged to the extent that use of the product is no longer possible. In this case, you will first need to charge the battery as described in the section "Charging the battery".

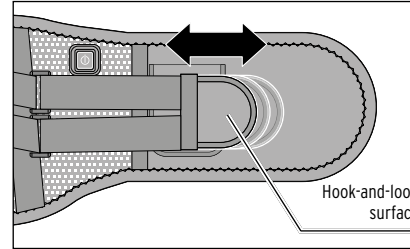
Putting on the back warming belt and switching it on

1. Before use, carefully read the "Safety warnings" chapter at the front of this booklet. This includes a great deal of information to ensure safe use.

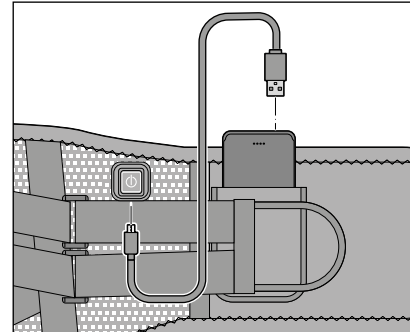


2. Position the back warming belt on your lower back. The switch and the pouch should be facing upwards.

Secure the belt in position using the hook and loop fasteners, making sure that the fit is comfortable and non-constricting.



- ▷ You can adjust the width of the belt by loosening the hook-and-loop fasteners on the straps and reattaching them at the desired position.



3. Connect the charging cable on the back warming belt to the output port on the battery and the connection socket of the belt as shown.

The indicator light on the On/Off switch lights up alternately in red, green and blue.

4. Store the rechargeable battery in the storage pouch.
5. Press the On/Off switch to switch the device on.



The indicator light in the On/Off switch lights up red.

6. To change the heat setting, press the On/Off switch.

The indicator light in the switch lights up ...

... red for the highest heat setting (approx. **55 °C**),

... green for the medium heat setting (approx. **50 °C**),

... blue for the lowest heat setting (approx. **45 °C**).

First select the red heat setting.

The back warming belt reaches its maximum temperature after approx. 15-20 minutes. Now you can switch back to a lower heat setting.

7. Press the On/Off switch again to turn the device off.

i The back warming belt has overheating protection and switches off automatically after approx. 60 minutes.

Allow the belt and battery to cool down to room temperature before switching the product on again.

Cleaning and storage



WARNING - risk of injury

Always remove the battery from the belt before cleaning the belt. The rechargeable battery could otherwise be damaged. Risk of explosion.



DANGER - electricity

Do not immerse the product, the rechargeable battery or the charging cable in water or any other liquids, as this poses a risk of electric shock.

1. Let the belt cool down completely after use before cleaning it.
2. Wipe it with a slightly damp, lint-free cloth.
3. Allow it to dry completely before using it again or storing it away.

Storage

- ▷ Always allow the belt to cool down/dry out before you fold it.
- ▷ Do not place any heavy objects on the belt. It must not be created.
- ▷ Always store the belt in a cool, dry place where it is protected from other sources of heat.

Technical specifications

Model: 727 230

Rechargeable battery: lithium-ion 3.7 V/5000 mAh
Watt-hour rating: 18.5 Wh
(tested as per UN 38.3)
(non-replaceable)

Input: 5 V — — — 2 A

Output: 5 V — — — 2 A
(the — — — symbol indicates direct current)

Power: 10 W

Protection class: III

Charging time: max. 4 hours

Operating time (with fully charged battery): approx. 2 hours at the highest heat setting

Power consumption in off mode: ≤ 0.3 W

Mains adapter (not included): Input: AC 100-240 V 50/60 Hz

Output: DC 5 V 2.0 A

Outer material: 70 % polyester, 30 % elastodiene

Inner material: 95 % polyester, 5% elastane

Ambient temperature: +10 to +40 °C

Made exclusively for:

Tchibo GmbH, Überseering 18,
22297 Hamburg, Germany

Problems / solutions

Not working

Is the rechargeable battery flat?

- Charge the rechargeable battery as described in the chapter "Use", "Charging the battery" section.

- Check whether the connection plug on the charging cable is firmly fitted in the output port on the rechargeable battery and the connection socket on the belt.

- The thermal switch may have switched off the back warming belt. Remove the rechargeable battery from the belt and allow the belt to cool down to room temperature before reinserting the battery and switching on again. If the belt still isn't working, take it to be inspected at a specialist workshop.

Disposal

The product, its packaging and the supplied rechargeable battery have been manufactured from valuable materials that can be recycled. Recycling reduces the amount of refuse and preserves the environment.

Dispose of the **packaging** at a recycling point that sorts materials by type. Make use of the local facilities provided for collecting paper, cardboard and lightweight packaging.



Devices, single-use batteries and rechargeable batteries marked with this symbol must not be disposed of along with household waste!

You are legally obliged to dispose of old devices separately from household waste. Electronic devices contain hazardous substances and, if stored or disposed of improperly, may cause harm to health and the environment. Information about collection points where old devices can be disposed of free of charge is available from your local authorities.

Flat single-use and rechargeable batteries must be handed in at a local authority collection point or returned to a battery retailer. Tape off the contacts of lithium single-use/rechargeable batteries prior to disposal.

Product number: 727 230

Made exclusively for:

Tchibo GmbH, Überseering 18, 22297 Hamburg, Germany