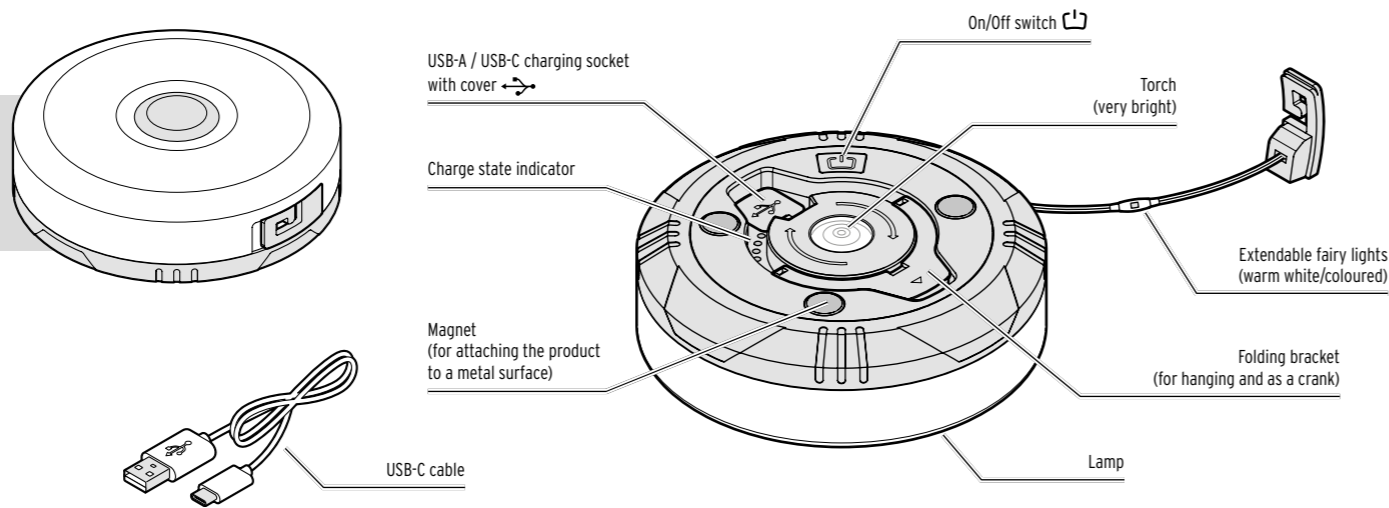


Camping fairy lights and lamp

en Instructions for use

Product number: 732 913

Made exclusively for:
Tchibo GmbH, Überseering 18, 22297 Hamburg, Germany



For your safety

Read the safety warnings carefully and only use the product as described in these instructions to avoid accidental injury or damage. Keep these instructions for future reference. If you give this product to another person, remember to also include these instructions.

Intended use

The product has been designed for both indoor and outdoor use. The lamp and torch are suitable for lighting purposes in smaller areas. The integrated fairy lights are only intended as decoration and not for lighting whole rooms. The power bank is designed to charge rechargeable mobile devices with a charging voltage of 5 V, such as smartphones, etc. The product is designed for use in private homes and is not suitable for commercial purposes.

Only use the product under moderate climatic conditions.

Danger to children

- This is not a children's toy! Children are not aware of the risks involved in handling electronic devices incorrectly. Therefore, keep the product out of the reach of children.
- Keep packaging materials out of the reach of children. They pose several risks, including the risk of suffocation!
- Should any of the magnets on the rear of the product come loose, keep them out of the reach of children. In the case that magnets are swallowed or inhaled, seek medical advice immediately. Magnets connecting inside the human body can cause serious injuries.

Danger of explosion/fire/burns

The product contains a rechargeable lithium battery. There is a risk of leakage, gas emissions, explosion and fire:

- You cannot and must not attempt to remove or replace the built-in rechargeable battery yourself. There is a risk of explosion if the battery is replaced incorrectly. The battery should be replaced only with an identical or equivalent type. If the rechargeable battery is faulty, contact a specialist workshop.
- Rechargeable batteries must not be taken apart, thrown into fire, heated above 60 °C or short-circuited. Do not modify and/or deform/heat/dismantle rechargeable batteries. Do not allow damaged rechargeable batteries to come into contact with water.
- Protect batteries from excessive heat, direct sunlight, extremely low air pressure (such as at high altitudes) and extreme temperatures. Rechargeable batteries may explode or flammable liquids or gases may escape.
- To charge the product, only use the enclosed USB-C charging cable and a suitable power bank or mains adapter that complies with the technical specifications of the product. Do not use a faulty USB mains adapter or attempt to repair a faulty USB mains adapter.
- Do not cover the product during charging.
- Do not use the product in the vicinity of explosive gases.
- **If you are using the product as a power bank:** only charge mobile devices with built-in batteries that have an input voltage of at least 5.0 V. Do not attempt to connect other devices or directly charge individual rechargeable batteries using the power bank. Standard single-use batteries must not be charged!
- Observe the instructions for use of the mobile devices you wish to charge. If necessary, switch off the mobile devices you wish to charge beforehand.

Danger due to electricity

- Do not use the product or USB-C cable if they show any visible signs of damage, or if the product has fallen down.
- The product is suitable for outdoor use and complies with protection type IPX4 provided the charging socket cover is closed. This means that the product is protected against splashes of water, such as rain. However, you should protect it from heavy rain and running water. In addition, do not position the product in hollows or depressions where puddles might form. Never use the product under water. This will immediately result in a short circuit and poses a risk of an electric shock.

- Only charge the product in dry indoor areas. Once charging is complete, close the cover of the charging socket carefully so that no water can penetrate. The product cannot be switched on while it is charging.
- Do not place any containers filled with liquid (e.g. vases) near the product.
- Only connect the USB mains adapter (not included) to a properly installed power socket whose voltage complies with the technical specifications of the product.
- Unplug the USB mains adapter from the power socket once the product is fully charged, during thunderstorms, before cleaning the product and if malfunctions occur while charging. Always pull on the mains adapter, not on the USB-C cable.
- The socket must be easily accessible so that you can disconnect the mains adapter quickly whenever necessary. Lay the USB-C cable in such a way that the device cannot be accidentally pulled down by it.

Risk of injury

- If a rechargeable battery has leaked, avoid contact with skin, eyes and mucous membranes. If necessary, rinse the affected areas with water and consult a doctor immediately.
- The light from the torch (LED on the underside of the product) is very bright. Do not look directly at it. Make sure (also when carrying the product) that you do not dazzle people or animals. Danger of damage to eyes!

Material damage

- The rechargeable battery is firmly built into the product and you cannot and must not attempt to replace it. Do not take the product apart. Do not make any modifications to the product. Have repairs to the product carried out only by a specialist workshop.
- The LEDs are firmly built in and cannot and must not be replaced.
- Do not switch the product on while it is still in the packaging.
- Protect all parts of the product from impacts, falls, dust, direct sunlight and extreme temperatures.
- Do not use any caustic, aggressive or abrasive products for cleaning.
- The product is suitable for outdoor use at temperatures above approx. -10 °C. In temperatures colder than this, keep the product indoors as it may otherwise become damaged.
- The product is not designed to withstand strong winds, storms, etc.! Stow the product in a sheltered location if strong winds or storms are forecast.
- Keep the product and the built-in magnets away from cards containing magnetic strips, e.g. credit cards, debit cards, etc. The cards could become damaged. You should also keep magnetic memory storage media and any devices that could be affected or functionally impaired by magnetism away from the product.

Important information regarding the integrated power bank

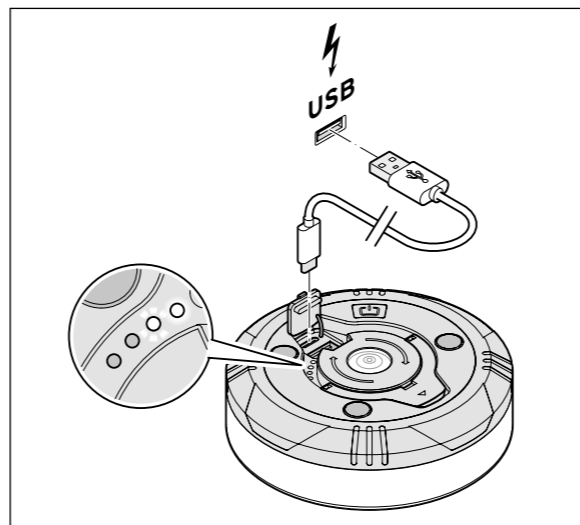
If you would like to take the product on a plane, you should enquire with the airline beforehand about whether and under which circumstances you are permitted to take a power bank on board.

Technical specifications

Model:	732 913
Rechargeable battery: (tested as per UN 38.3)	Lithium-ion battery, 3.7 V 1500 mAh (the symbol indicates direct current) Watt-hour rating: 5.55 Wh
Input:	5 V 1 A
Charging time:	approx. 3 hours
Light duration (with fully charged battery):	up to 4 hours
Light source:	LED
IP code:	IPX4
Length, fairy lights:	approx. 9 m
Ambient temperature:	-10 to +40 °C (use and discharging) +10 to +40 °C (charging the battery)

Charging the battery

The rechargeable battery comes in a half-charged state. This is to prevent it from becoming damaged. Charge the battery fully before using the device for the first time.



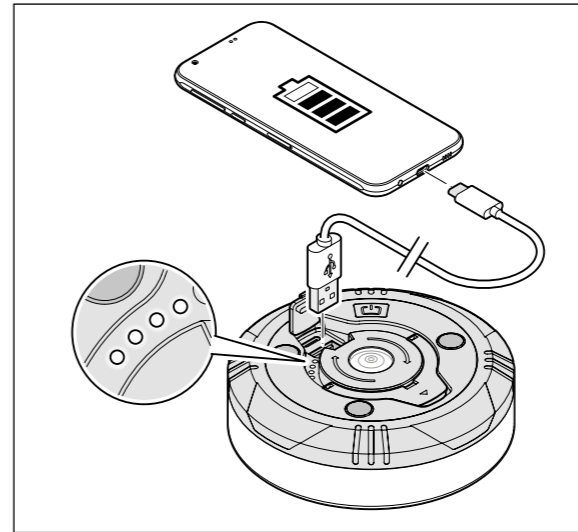
1. Open the charging socket cover on the underside of the product.
2. Connect the enclosed USB-C cable to the USB-C charging socket and to a suitable USB mains adapter (not included, see "Technical specifications") as shown.
3. Insert the mains adapter into a suitable power socket.
The four indicator lights display the charge state of the battery (25% - 50% - 75% - 100%):
Charge state indicator light ...
... **lights up blue** - capacity reached
... **flashes blue** - charging in progress
... **is not lit up** - charging has not yet begun.
The battery is fully charged once all four indicator lights are lit up blue. The usual charging time for a flat battery is approx. 3 hours.
The product cannot be operated while charging.
4. Then disconnect the product from the mains and replace the cover on the charging socket.

Information on rechargeable batteries

- To preserve the rechargeable battery's full capacity for as long as possible, you should fully recharge the battery every 2 to 3 months, even if you do not use the product.
- Only charge the battery in a dry indoor environment between +10 and +40 °C.
- The battery will best hold its charge at room temperature. The lower the ambient temperature, the shorter the operating time.

Charging rechargeable mobile devices with the power bank function

- Be sure to read the instruction manual of your mobile device.
- To charge your mobile device (e.g. smartphone), **only use the USB-A charging socket.** It is not possible to simultaneously charge the product via the USB-C charging socket.
- You can use either the USB-C cable supplied or the charging cable for the respective mobile device.
- Electromagnetic interference around the product could lead to malfunctions. If that happens, disconnect the mobile device from the product and then reconnect them.



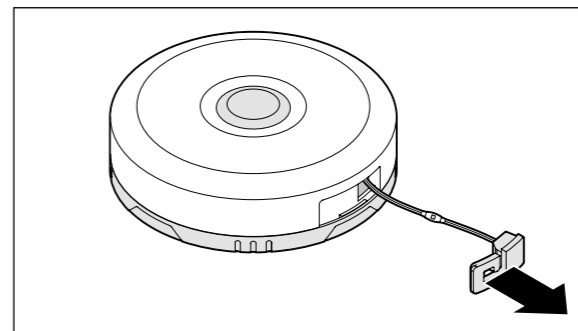
1. Open the charging socket cover on the underside of the product.
 2. Connect your mobile device (e.g. smartphone) to the USB-A charging socket as shown.
The charging process will begin automatically.
The indicator lights for the charge state ...
... will light up blue while the mobile device is charging.
... will flash blue when the power bank no longer has sufficient charging capacity to charge the connected mobile device. The power bank itself needs charging before the next use.
The charging time depends on the battery capacity of the mobile device.
- ▷ When the mobile device is fully charged or you wish to end the charging process prematurely, simply unplug the charging cable from the charging socket and replace the cover on the charging socket.

Hanging up or standing up the lamp

- ▷ To hang the lamp up:
- fix the half-opened bracket to a hook or similar or
- attach it to a metallic surface using the magnet.
- ▷ Alternatively, simply place the product on the table with the light facing upwards.

Pulling out & winding in the fairy lights

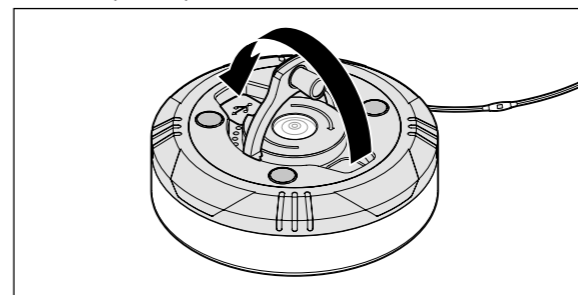
Pulling out the fairy lights



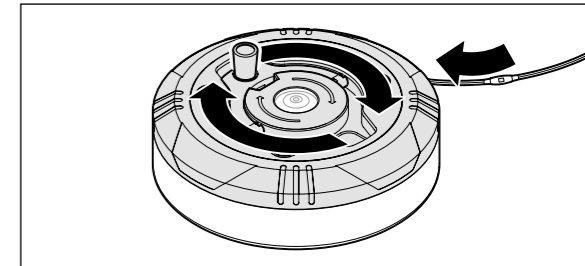
- ▷ Use the hook to pull the fairy lights completely out of the light housing (or as far as you want) and to attach them to a suitable object.

Winding in the fairy lights

When not in use for a longer period and for transport purposes, wind the fairy lights back into the light housing.



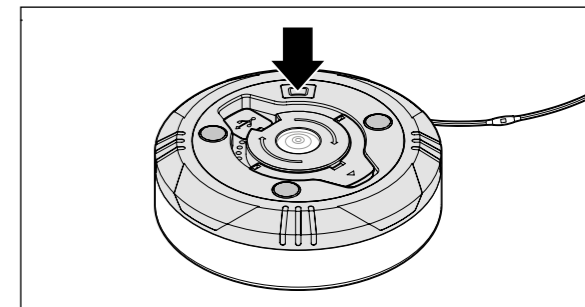
1. Fold the bracket on the underside of the product completely over so that you can use it as a crank and



2. ... turn the crank clockwise.

Turning on/off

- If you have just charged the product or used it as a power bank, it will take approx. 8 seconds after disconnecting the cable from the corresponding charging socket before the On/Off switch can be operated.



Fairy lights and lamp

- ▷ To switch on the fairy lights and/or the lamp, press the On/Off switch :
- 1x briefly** - The LEDs in the fairy lights light up warm white.
 - 2x briefly** - The LEDs in the fairy lights flash quickly in different colours.
 - 3x briefly** - The LEDs in the fairy lights pulsate slowly in different colours.
 - 4x briefly** - The LEDs in the fairy lights light up warm white. At the same time the LEDs in the lamp are dimmed (50% light intensity).
 - 5x briefly** - The LEDs in the lamp light up brightly (100% light intensity).
- ▷ To switch off, briefly press the On/Off switch again.

- If you wait approx. 8 seconds after pressing the respective button, you can switch the fairy lights/lamp off again immediately by pressing the button once briefly.

Torch

To switch on the torch, hold the product so that the LED on the underside of the product is pointing away from you and you do not dazzle other people or animals with it.

- ▷ To switch the torch on, press the On/Off switch :
- Press and hold 1x** - the LED will light up very brightly.
 - Immediately afterwards**, press the On/Off switch :
 - 1x briefly** - the LED is dimmed.
 - 2x briefly** - the LED flashes.
- ▷ To switch off, briefly press the On/Off switch again.

- If you wait approx. 4 seconds after switching the torch on, you can switch it off again immediately by pressing the button once briefly.
- You can also switch the torch on while the fairy lights and/or the lamp are on. In this case, the fairy lights or lamp will go out and the torch shines extra brightly.

Care

- ▷ Clean the product as necessary with a soft, dry cloth.

Disposal

The product, its packaging and the built-in rechargeable battery have been manufactured from valuable materials that can be recycled. Recycling reduces the amount of refuse and preserves the environment. Dispose of the **packaging** at a recycling point that sorts materials by type. Make use of the local facilities provided for collecting paper, cardboard and lightweight packaging.

Devices, single-use batteries and rechargeable batteries marked with this symbol must not be disposed of along with household waste!
You are legally obliged to dispose of old devices separately from household waste. Electronic devices contain hazardous substances and,

if stored or disposed of improperly, may cause harm to health and the environment. Information about collection points where old devices can be disposed of free of charge is available from your local authorities. Flat single-use and rechargeable batteries must be handed in at a local authority collection point or returned to a battery retailer. Tape off the contacts of lithium single-use/rechargeable batteries prior to disposal. **Warning!** This device contains a rechargeable battery that, for safety reasons, is firmly built into the device. It cannot be removed without destroying the casing. Improper disassembly leads to safety hazards. For this reason, take the device intact to a collection point where the device and battery will be disposed of properly.