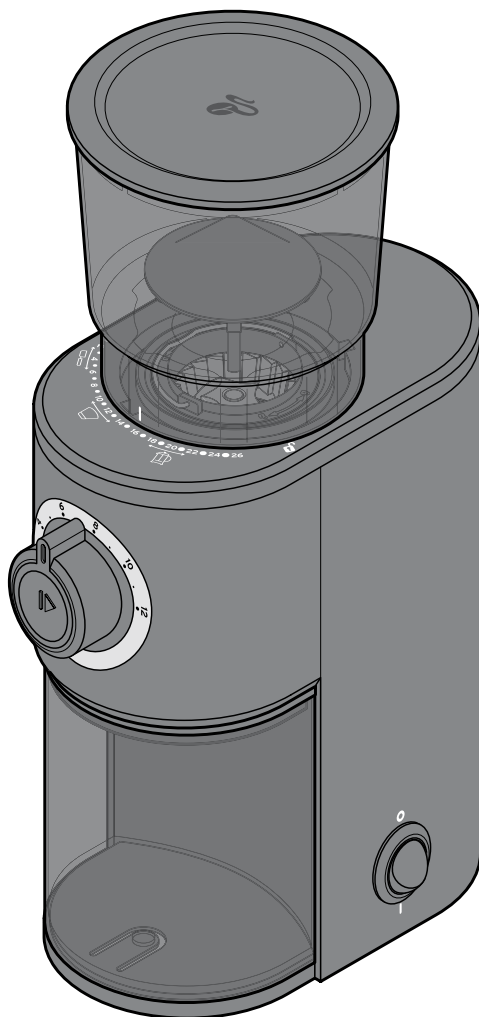


Tchibo

Coffee grinder, electric



en Instructions for use and warranty

Tchibo GmbH D-22290 Hamburg · 103733AB · 2026-01

Dear Customer

Your new electric coffee grinder allows you to grind fresh coffee when you need it. This means the precious flavour of the coffee beans is preserved until the coffee is made.

The coffee grinder has a grinding mill made of stainless steel which prepares the coffee in a way that gently preserves the flavours.

The grinding degree can be adjusted from coarse to very fine, depending on whether you want to make an espresso, or prepare your coffee in a filter coffee machine or cafetière. You can grind coffee for two to twelve cups at the same time.

We hope you enjoy using your new coffee grinder.

Your Tchibo Team



www.tchibo.de/instructions

Contents

3	The art of coffee	10	Cleaning
4	About these instructions	10	Taking the appliance apart and cleaning
4	Safety warnings	11	Assembling the appliance
7	At a glance (contents)	13	Problems / solutions
8	Preparing the grinder for use	14	Technical specifications
8	Setting the grinding degree	15	Disposal
8	Pouring in beans	16	Warranty
9	Grinding coffee	16	Service and repair
		16	Customer care service

The art of coffee

The quality of the beans

The freshness of the coffee beans is the basis for an incomparable taste.

Therefore, always use fresh beans.

Storing beans

Do not fill too many beans into the container, but rather fill in smaller amounts from time to time so that the beans do not lose their flavour.

Keep the remaining beans aromatic: in an airtight and opaque container in the fridge, beans will stay fresh for up to 3 weeks. They can also be frozen and stored in the freezer for up to 3 months.

Storing ground coffee

Only ever grind enough coffee to prepare the amount of coffee you require. Do not keep the ground coffee in the gathering container for longer than 24 hours. If you happen to have excess ground coffee, store it in a cool and dry place in a closed, opaque container.

The right grinding degree

Note the following as a rule of thumb: the finer the grinding degree, the less time the coffee powder should be in contact with the water, or vice versa: the coarser the grinding degree, the longer the contact time. For this reason, espresso makers require very finely ground powder, whereas filter coffee machines and hand filters require a medium grinding degree, and cafetières and cold brew/cold drip coffee makers require a coarse grind. If fine coffee powder were to be in contact with hot water for a long time, as is the case with filter machines and cafetières, it would give the coffee a bitter taste.

To determine the suitable grinding degree for your coffee, refer to the corresponding symbols on the grinding degree scale and preferably start with the respective medium setting. Then, if necessary, adjust the grinding degree by 1-2 levels until you have found your preferred setting.

Keep in mind that, as well as the type of coffee and method of preparation, the hardness of the water and the temperature used to brew the coffee also determine the taste.

About these instructions

This product is equipped with safety features. Nevertheless, read the safety warnings carefully and only use the product as described in these instructions to avoid accidental injury or damage.

Keep these instructions for future reference. If you give this product to another person, remember to also include these instructions.

Symbols used in these instructions:



This symbol warns you about the risk of injury.



This symbol warns you about the risk of injury caused by electricity.

Signal words used in these instructions:

DANGER warns about the imminent risk of serious or fatal injury.

WARNING warns about the potential risk of serious or fatal injury.

CAUTION warns about the potential risk of minor injury.

NOTICE warns about the potential risk of material damage.



This indicates additional information.

Safety warnings



Intended use

- The coffee grinder is intended for grinding coffee beans. It has been designed for producing household quantities. The coffee grinder is not suitable for use in staff kitchens in commercial industries, on agricultural premises or by customers in hotels, motels or bed and breakfast establishments. It is not suitable for commercial purposes.

The coffee grinder is only intended for use in dry indoor rooms.

Danger to children and people with limited ability to operate appliances

- The appliance must not be used by children. Keep the appliance and its mains cable out of the reach of children. Children must not be allowed to play with the appliance.
- This appliance can be used by persons who lack the physical, sensory or mental capabilities, or the experience and/or knowledge, provided they are supervised or have been trained in the safe use of the appliance and understand the potential dangers.
- Keep packaging materials out of the reach of children. They pose several risks, including the risk of suffocation!

Danger due to electricity

- Never immerse the coffee grinder or its plug in water, as this poses a risk of electric shock.

- Never leave the coffee grinder unattended whilst in operation.
- Only connect the appliance to a properly installed power socket with protective contacts whose voltage corresponds to the technical specifications of the appliance.
- If you need to use an extension cable, it must correspond to the “Technical specifications”. Consult a specialist retailer when buying an extension cable.
- Switch off the appliance and disconnect the mains plug from the power socket ...
 - ... if malfunctions occur during use,
 - ... after use,
 - ... if you leave the appliance unattended,
 - ... before placing the coffee bean container on or removing it from the appliance,
 - ... during thunderstorms,
 - ... before cleaning the appliance.
 Always pull on the plug, not the mains cable.
- The power socket used must be within easy reach so that the mains plug can be removed quickly if necessary. Lay the mains cable in such a way that nobody can trip over or get caught in it, leading to the appliance falling over.
- The mains cable must not be kinked or crushed. Keep the mains cable away from hot surfaces and sharp edges.
- Do not use the appliance if the appliance itself or the mains cable show

- visible signs of damage or if the appliance has been dropped before.
- Do not make any modifications to the product or replace the mains cable yourself. Have repairs to the appliance or mains cable carried out only by our customer care service or a specialist workshop. Improper repairs can result in considerable danger to the user.

Warning - risk of injury

- Rotating parts can cause cuts and contusions. Never use the coffee grinder without the gathering container or without the lid on the coffee bean container. Keep hands away from the grinding mill whilst the machine is in use. Do not put your hands or any objects into the coffee bean container while the machine is grinding. Take particular care when cleaning the grinding mill. Never reach into the openings of the appliance whilst it is still connected to the power supply. Always pull out the mains plug before trying to eliminate any blockages or cleaning the appliance.
- You will find detailed information about cleaning the product under “Cleaning”.
- Improper use of the appliance can lead to injuries.

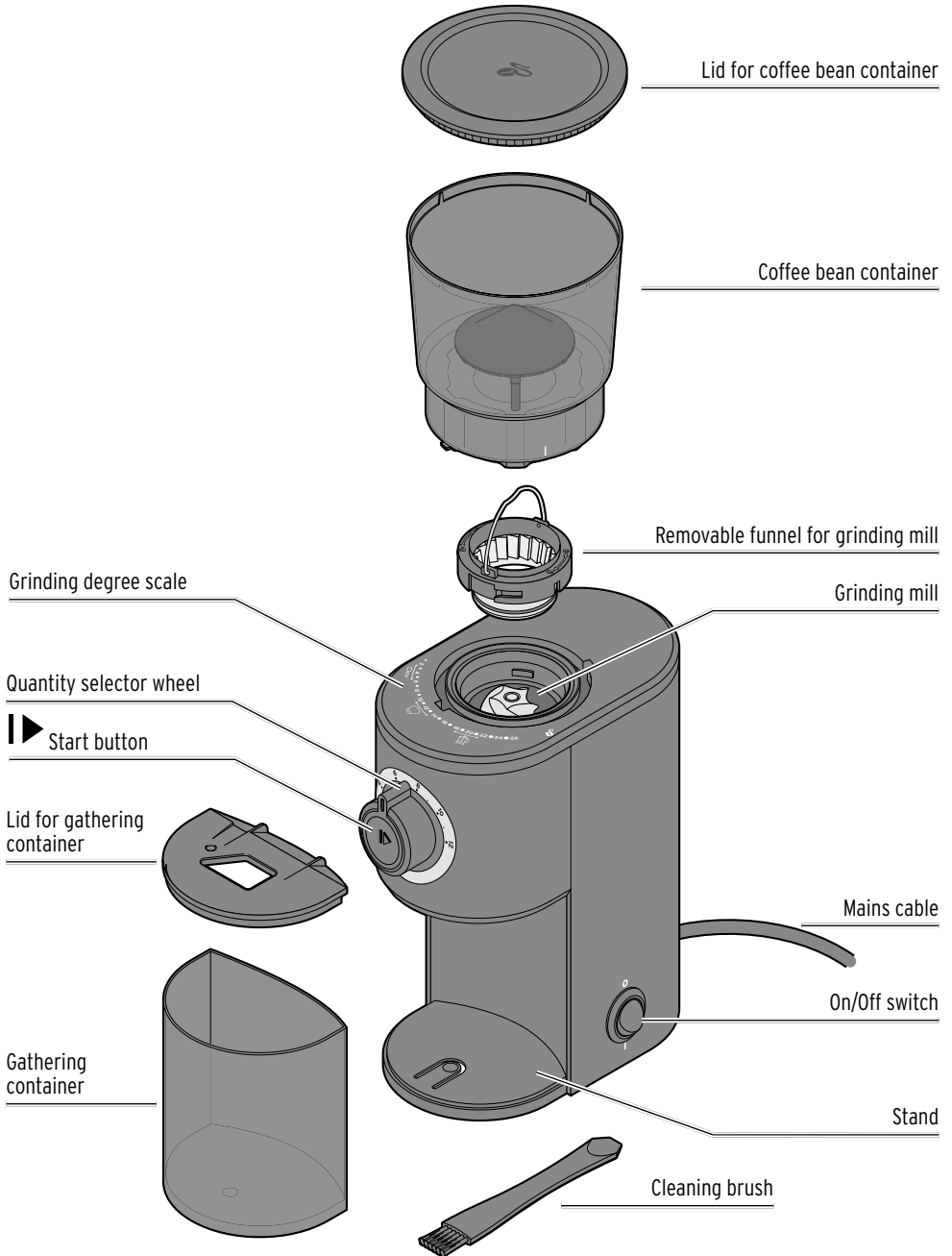
Material damage

- The appliance is designed for short-time operation only. After an operating time of approx. 1 minute, allow the appliance to cool off for 10 minutes.
- Place the appliance on a solid, even surface which can be easily cleaned and is easily accessible.
- Keep the appliance far enough away from sources of heat, e.g. hobs and ovens.
- Do not use any caustic, aggressive or abrasive products for cleaning.
- Only use the original accessories (this does not apply to the container used to store ground coffee).
- Only grind coffee with the coffee grinder. Attempting to grind anything else could destroy the appliance.
- Check the coffee bean container prior to every use for foreign bodies.
- Do not let the grinding mill run empty.
- Do not subject the product to extreme fluctuations in temperature, moisture, direct sunlight, dust, heavy impacts or jolts.
- Some varnishes, plastics or types of furniture polish may react adversely to the material of the non-slip feet and soften them.
For this reason, place a non-slip base underneath.

Safety feature

- The appliance is fitted with a cut-out switch which automatically switches off the appliance if it overheats. If this happens, unplug the mains adapter and allow the appliance to cool for approx. 1 hour before using it again. Press the  button to activate the appliance, if necessary.
- To prevent hazards caused by accidentally resetting the overheat protection switch, the appliance must not be connected to a timer switch or be operated using a remote control system.

At a glance (contents)



Preparing the grinder for use



DANGER -

risk of fatal electric shock

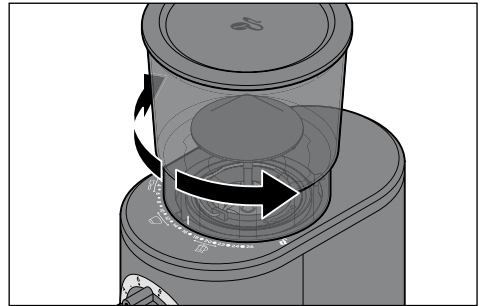
- Never immerse the coffee grinder or its plug in water, as this poses a risk of electric shock.



WARNING - risk of injury

- Disconnect the mains plug before cleaning the appliance.

- ▷ To remove any residues caused by production, clean the coffee grinder before using it for the first time (see the chapter titled "Cleaning").



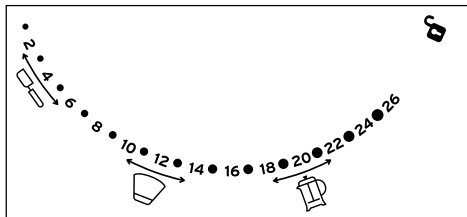
- ▷ Rotate the whole coffee bean container until the marker lines up with the desired grinding degree.

Setting the grinding degree


- ▷ Set the required grinding degree to between **1** (fine) and **26** (coarse) before pouring in coffee beans. This prevents individual beans from getting jammed in the grinding mill.


The following figures are only guidelines to give you some orientation.

Try out different grinding degrees to find the one which best suits your own taste and preferred method for preparing coffee.

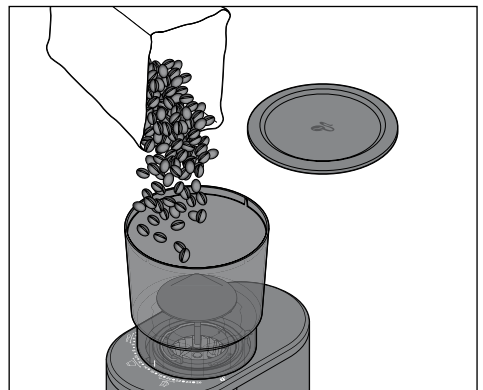


 **1 - 6** = fine powder; suitable for espresso

 **10 - 14** = medium-fine powder; suitable for preparing household filter coffee

 **18 - 22** = coarse powder; suitable for preparing coffee in a French press / cafetière

Pouring in beans



1. Remove the lid of the coffee bean container.
2. Fill the coffee beans into the coffee bean container.
3. Replace the lid.



The max. filling capacity of the coffee bean container is approx. 150 g of coffee beans. The gathering container for coffee powder holds approx. 85 g, depending on the grinding degree selected. Make sure you empty the gathering container in a timely manner.

Grinding coffee

You can grind the amount of coffee according to the number of cups you wish to make.

The amount of ground coffee per cup is calculated based on a medium coarse grind (for filter coffee).

More coarsely ground coffee (cafetière) requires a shorter grind time and more finely ground coffee (portafilter) takes slightly longer.

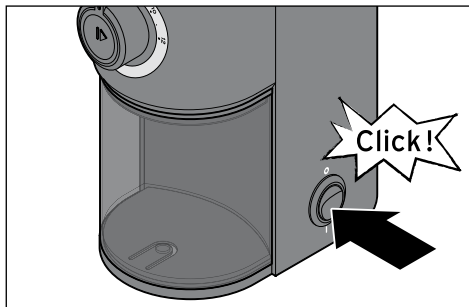
Experiment with the grinding degree and make a note of the best setting to suit your taste and preferred method for preparing coffee.

1. Make sure that the coffee bean container has clicked into place properly and the gathering container is inserted and that both lids are closed properly.

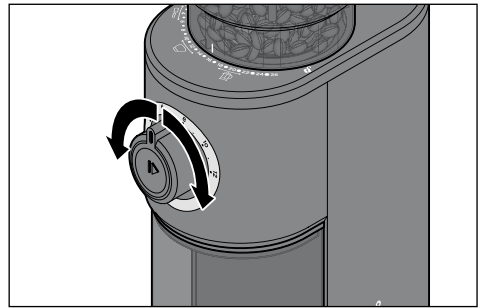


To avoid injuries caused by the rotating grinding mill, safety switches prevent the motor from switching on when the coffee bean container or the gathering container is not in place or has not been mounted correctly.

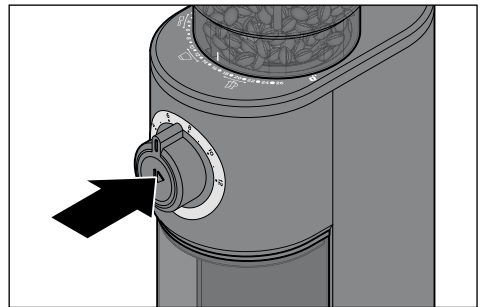
2. Insert the mains plug into the socket.



3. To switch on the coffee grinder, slide the On/Off switch to I.

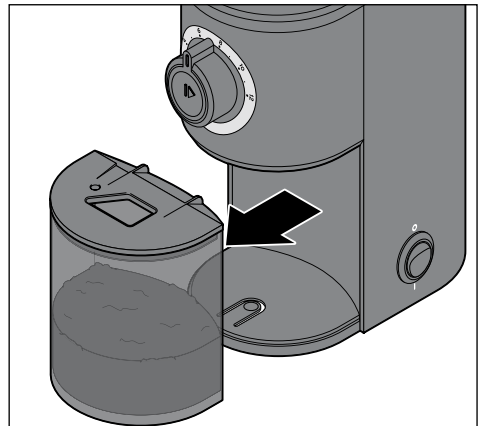


4. Turn the quantity selector wheel to select the number of cups you wish to brew.



5. Press the start button .

The coffee grinder grinds the coffee beans.



6. Remove the gathering container.

**We hope you enjoy your aromatic,
freshly ground coffee.**

Cleaning



DANGER -

risk of fatal electric shock

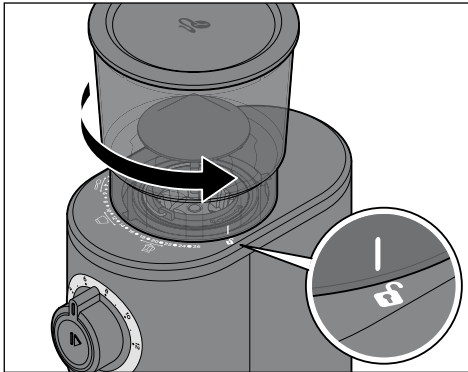
- Remove the mains plug from the power socket before cleaning the appliance.
- The appliance must not be subjected to moisture. Protect it against drops and splashes of water.


NOTICE - material damage

- Do not use any caustic, aggressive or abrasive products for cleaning.

Taking the appliance apart and cleaning

1. Remove the mains plug from the power socket.
2. Remove the gathering container from the appliance and remove the lid.
3. Empty any excess beans out of the coffee bean container.



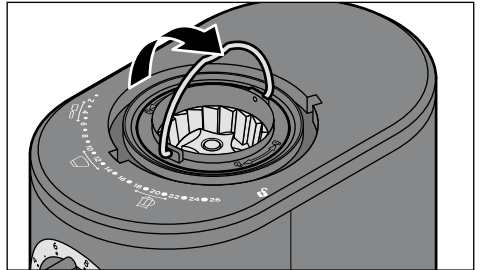
4. Turn the coffee bean container anti-clockwise until the marker lines up with the lock symbol .
5. Pull the coffee bean container upwards and off.
6. Remove the lid.
7. Clean the container and its lid in warm water with a few drops of washing-up liquid and dry them carefully before using them again.

You must allow the parts to **dry completely** before refilling the container with coffee beans!

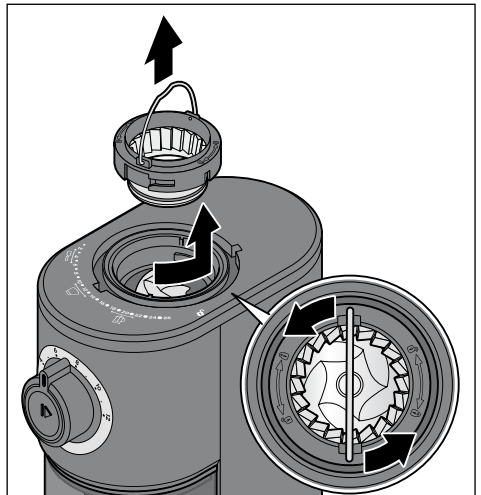
Cleaning the grinding mill

- ▷ Sweep out the grinding mill with the cleaning brush provided.

To clean the grinding mill thoroughly and to remove any jammed coffee beans or foreign bodies, remove the removable funnel as follows:



1. Fold up the handle.



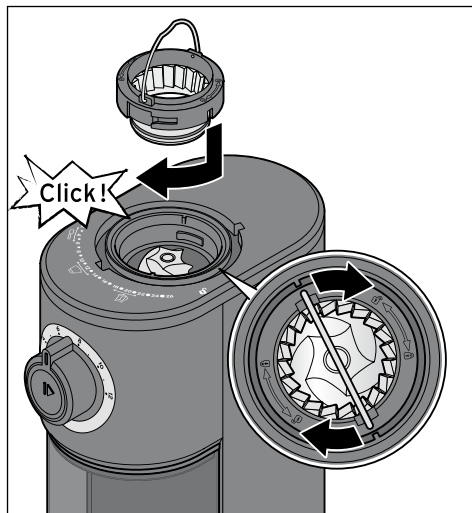
2. Using a little force, turn the funnel anti-clockwise until you feel it click into place and you can remove it from the top.
3. Clean the inside of the grinding mill with the cleaning brush. Remove any foreign bodies or jammed coffee beans.

4. Wipe the casing of the appliance with a damp cloth and dry with a soft, lint-free cloth.

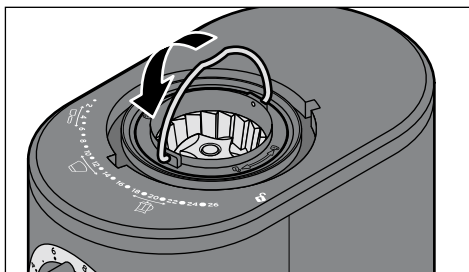
Assembling the appliance

To assemble the appliance correctly, remove all leftover beans from the grinding mill. All parts must be **completely dry** before you put the appliance back together.

Inserting the grinding mill

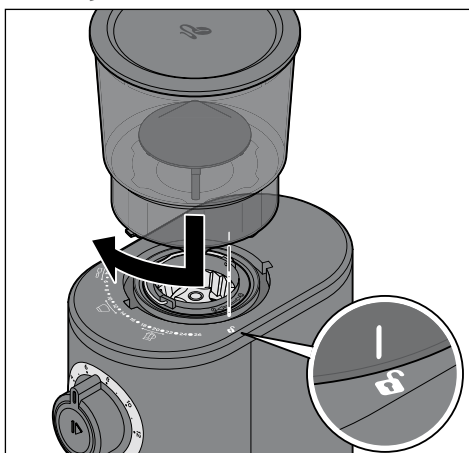



1. Insert the funnel into the grinding mill. It only fits in a particular direction. Check the position of the ridges on the grinding mill. These must match up with the ends of the handle on the funnel.
2. Turn the funnel clockwise slightly until you hear and feel it click into place.



3. Fold down the handle.

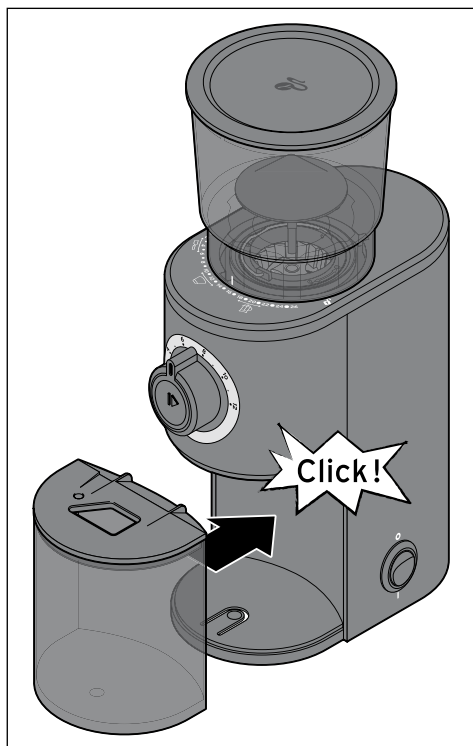
Inserting the coffee bean container



1. Place the coffee bean container onto the appliance. The marker on the coffee bean container must be pointing towards the lock symbol .
2. Rotate the coffee bean container clockwise until the marker once again lines up with the desired grinding degree.

To avoid injuries caused by the rotating grinding mill, safety switches prevent the motor from switching on when the coffee bean container or the gathering container is not in place or has not been mounted correctly.

Finally ...




1. Place the lid back onto the gathering container.
 2. Place the gathering container on the stand.
- Your coffee grinder is now ready for use.**

Problems / solutions

• Not working.	• Is the coffee grinder plugged in?
• The grinding process will not start / the appliance is not grinding any coffee.	• Is the coffee bean container correctly fitted and locked? • Is the coffee bean container empty? Add more coffee beans. • Are the gathering collector and its lid correctly in position? • Are coffee beans or foreign bodies blocking the grinding mill? Switch off the grinding mill and clean it. Always make sure that no foreign bodies get into the grinding mill, as they could damage it.
• The appliance stops unexpectedly during grinding.	• Is the plug still connected to the socket? • Is a foreign body or coffee bean blocking the grinding mill? Clean the grinding mill. • The appliance has overheated – e.g. whenever it has been used repeatedly over a short period of time for extended grinding process. Allow the appliance to cool for approx. 1 hour. • If none of these methods help, contact our customer care service.
• The coffee bean container cannot be turned / the grinding degree cannot be set.	• Is the coffee bean container fitted correctly on the appliance? • Are coffee beans or foreign bodies blocking the grinding mill? Clean the grinding mill.

Technical specifications

Type / model:	386620
Mains voltage:	220-240 V ~ 50-60 Hz
Protection class:	II 
Power:	160 W
Power consumption when turned off:	0.2 W
Sound power level:	≤ 82 dB(A)
Capacity	
coffee bean container:	approx. 150 g
gathering container:	approx. 85 g
Ambient temperature:	+10 to +40 °C
Made exclusively for:	Tchibo GmbH, Überseering 18, 22297 Hamburg, Germany

In the course of product improvement, we reserve the right to make technical and optical modifications to the product.



Disposal

The product and its packaging have been manufactured from valuable materials that can be recycled. Recycling reduces the amount of refuse and preserves the environment.

Dispose of the **packaging** at a recycling point that sorts materials by type. Make use of the local facilities provided for collecting paper, cardboard and lightweight packaging.



Appliances marked with this symbol must not be disposed of along with household waste!

You are legally obliged to dispose of old appliances separately from household waste. Electronic appliances contain hazardous substances and, if stored or disposed of improperly, can cause harm to health or the environment. Information about collection points where old appliances can be disposed of free of charge is available from your local authorities.

Warranty

Tchibo GmbH grants a **two-year warranty** from the date of purchase.

Tchibo GmbH, Überseering 18, 22297 Hamburg, Germany

We will remedy all defects in workmanship or materials **within the warranty period**. In order for the warranty to be granted, all warranty claims must be accompanied by proof of purchase from Tchibo or from an authorised Tchibo distribution partner. This warranty is valid within the EU, Switzerland and Turkey.

The warranty does not cover worn parts, consumables, or damage resulting from improper use or inadequate descaling. Parts and consumables can be ordered from our customer care service.

This warranty does not restrict **statutory warranty rights**. Statutory warranty rights can be asserted free of charge.

Service and repair

If, contrary to our expectations, a defect is found, please contact our customer care service. Our customer consultants will be happy to advise you on further procedure.

If you have any questions relating to product information, ordering accessories or servicing, please contact our customer care service. Please have the product number to hand in case of any queries.

Customer care service

Email: service@tchibo.de

Product number: You can find the product number on the type plate on the bottom of the casing.



Product number